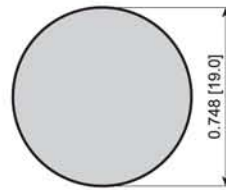


Suggested Panel Cutout



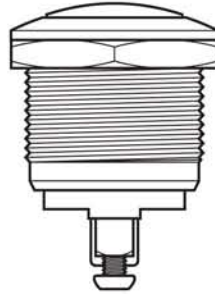
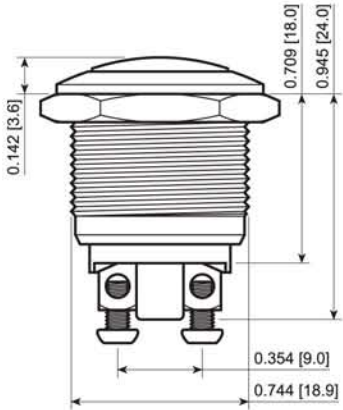
Maximum Panel Thickness: 0.315 [8.0]

FEATURES:

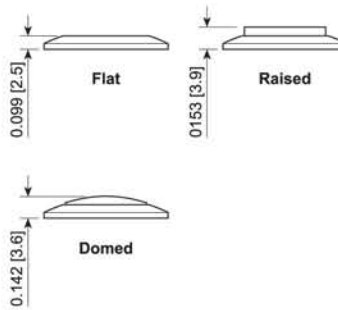
- Vandal and Water Resistant
- Long Life Expectancy
- Custom Laser Engraved Markings

SPECIFICATIONS:

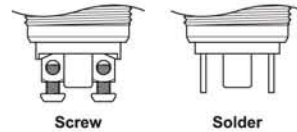
RATING: 2A 48VDC
TEMPERATURE: -20°C to 55°C
ELECTRICAL LIFE: 200,000 Cycles
CONTACT RESISTANCE: 50mΩ Max. at 1A 12VDC
INSULATION RESISTANCE: 1,000MΩ Min.
DIELECTRIC STRENGTH: 2,000VAC for 1 Minute
INTRUSION PROTECTION: IP65



Actuator Options



Terminal Options



MATERIALS:

BUSHING: Gold Plated Brass
 Nickel Plated Brass
 Stainless Steel
ACTUATOR: Gold Plated Brass
 Nickel Plated Brass
 Stainless Steel
BASE: Polybutylene Terephthalate, UL94 V-2
SEALING: Silicone
 Stainless Steel
INNER ASSEMBLY: Polyamide 6/6
 Brass
SPRING: Steel
CONTACT: Silver Plated Brass
TERMINALS: Silver Plated Brass
 Steel
HARDWARE: Nickel Plated Brass

ANTI-VANDAL



PV1H640NN



PV1F640SS



PV1H640SS

PV1S640GG

EXAMPLE PART NUMBERS:

PV1F640GG 1P Off-(On)
Flat Actuator, Gold Plated Finish
 PV1F640NN 1P Off-(On)
Flat Actuator, Nickel Plated Finish
 PV1F640SS 1P Off-(On)
Flat Actuator, Stainless Steel Body
 PV1H640GG 1P Off-(On)
High Actuator, Gold Plated Finish
 PV1H640NN 1P Off-(On)
High Actuator, Nickel Plated Finish
 PV1H640SS 1P Off-(On)
High Actuator, Stainless Steel Body
 PV1S640GG 1P Off-(On)
Domed Actuator, Gold Plated Finish
 PV1S640NN 1P Off-(On)
Domed Actuator, Nickel Plated Finish
 PV1S640SS 1P Off-(On)
Domed Actuator, Stainless Steel Body

SPECIFICATIONS SUBJECT TO CHANGE WITHOUT NOTICE

Series	Actuator Options	Terminal	Function	Rating	Body Finish	Actuator Finish	Contact Material	Marking Options
PV1	F - Flat H - High S - Domed	2 - Solder 6 - Screw	1 Pole: 4 - Off-(On)	0 - 2A 48VDC	G - Gold N - Nickel S - Polished Stainless Steel B - Brushed Stainless Steel	G - Gold N - Nickel S - Polished Stainless Steel B - Brushed Stainless Steel	None - Silver G - Gold	None - No Marking M01 - Power Symbol Custom Markings Available

Notes:
 Additional material options available upon request. Please ask your salesperson.

