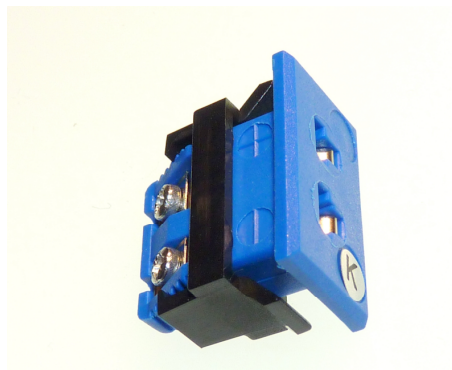


LABFACILITY

TEMPERATURE & PROCESS TECHNOLOGY

JIS Miniature Panel Sockets



'simple fixing to panel'

About Labfacility

Formed in 1971, Labfacility specialize in the field of Temperature and Process Measurement.

We are the largest UK manufacturer of both temperature sensors and thermocouple connectors

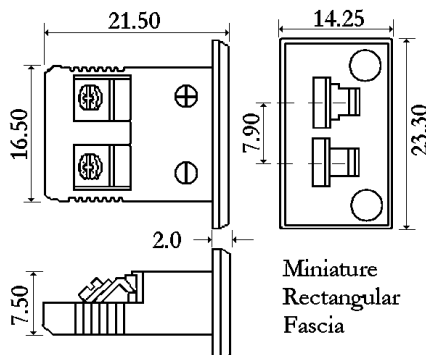
Quality & Service

Quality and Service are key elements in the continued growth of Labfacility.

Technical support is always freely available from our experienced technical sales teams and the company has ISO9001 accreditation.

- Miniature thermocouple fascia mounting sockets with clip
- All fascia mounting sockets are polarised by means of unequally sized pins
- Panel mounting
- Nylon clip for quick, simple fixing to panel
- For Types K, J contacts are made from true Thermocouple alloys
- Colour coded in accordance with JIS specification
- Max temperature 120 deg°C

T/C Type	Colour Code (JIS)	+Positive (alloy type)	-Negative (alloy type)	Labfacility Code	Farnell order Code
K	Blue	+Nickel Chromium	-Nickel Alloy	JM-K-FF	234-7183
J	Yellow	+Iron	-Copper Nickel	JM-J-FF	234-7182



FAR050/0613 JIS Miniature Panel Sockets

Contact Details

Email sales@labfacility.com

Website www.labfacility.com