

IEC Appliance Inlet C8, Screw-on Mounting, Rear Side, Solder Terminal



0720-FS



**Description**

- Panel Mount:  
Screw-on mounting from rear-side
- 1 Function:  
Appliance Inlet,
- Pin temperature 70 °C, Protection class II
- Solder terminals

**Approvals**

- UL File Number: E96454
- CSA File Number: 73165
- CCC File Number: 2011010204483973

**Characteristics**

- Contact pins rolled

**Weblinks**

[pdf-datasheet](#), [html-datasheet](#), [General Product Information](#), [Approvals](#), [CE declaration of conformity](#), [RoHS](#), [CHINA-RoHS](#), [REACH](#), [Mating Connectors](#), [e-Shop](#), [SCHURTER-Stock-Check](#), [Distributor-Stock-Check](#), [CAD-Drawings](#), [Accessories](#), [Detailed request for product](#)

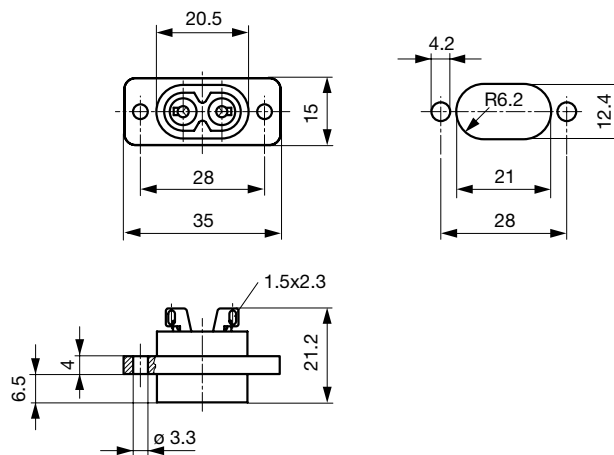
**Technical Data**

Ratings IEC	2.5 A / 250 VAC; 50 Hz
Ratings UL/CSA	2.5 A / 250 VAC; 60 Hz
Dielectric Strength	> 2 kVAC between L-N (1 min/50 Hz)
Allowable Operation Temp.	-25 °C to 70 °C
Degree of Protection	from rear-side IP 40 acc. to IEC 60529
Protection Class	Suitable for appliances with protection class II acc. to IEC 61140
Terminal	Solder terminals
Panel Thickness s	Screw: max 4 mm Mounting screw torque max 0.5 Nm
Material: Housing	Thermoplastic, black, UL 94V-0

Appliance Inlet	C8 acc. to IEC 60320, UL 498, CSA C22.2 no. 42 (for cold conditions) pin-temperature 70 °C, 2.5 A, Protection Class II
-----------------	---

**Dimensions**

0720-FS



Solder terminals for wires

## All Variants

Type	Panel mounting	Panel Thickness s [mm]	Terminal	Order Number
0720-FS	Screw	4	Solder terminals	4300.0096

Most Popular.

Availability for all products can be searched real-time:<http://www.schurter.com/en/Stock-Check/Stock-Check-SCHURTER>

**Packaging unit** 100 Pcs

## Mating Outlets/Connectors

### Category / Description

#### Power Cord Overview complete



EU Power Cord with IEC Connector C7, Straight	6013.0474
EU Power Cord with IEC Connector C7, Straight	6013.0478
EU Power Cord with IEC Connector C7, Straight	6051.0015

[Power Cord further types to 0720-FS](#)

#### Power Supply Cord Overview complete



US Power Supply Cord with C7 Plug, Straight	6010.5274
US Power Supply Cord with C7 Plug, Straight	6010.5278
US Power Supply Cord with C7 Plug, Straight	6051.0018

[Power Supply Cord further types to 0720-FS](#)