

TAP800 Series

800 Watt Heat Sinkable Planar



FEATURES

- Electric support is high alumina content ceramic metallized on the bottom for ideal heat transfer and optimum discharge.
- Encapsulated with a special resin filled epoxy casing with a large creepage distance to mass, large air distance between terminals, and a high insulation resistance (CTI 600).
- Resistive element is specially designed for low inductance and capacitance. The element provides stable performance in addition to high wattage and pulse loading capability.
- Contacts allow for easy load connecting with M4 or M5 screws (not included).
- Materials meet the requirements of UL94-V0



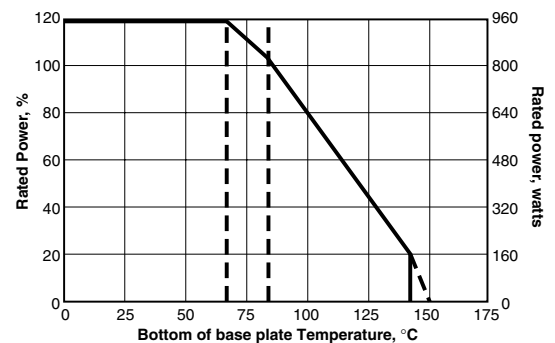
Ohmite's TAP800 Series dissipates 800 watts of power when used with a liquid or air cooled heat sink system. The TAP800 rounds out 600 watt (TAP600) and 1000 watt (TAP1000) product offerings. Applications include variable speed drives, power supplies, robotics, motor control, control devices, and other power designs.

CHARACTERISTICS

Resistance Values	1Ω to 10KΩ
Resistance Tolerance	±5% to ±10%
Temperature Coefficient	±150ppm/°C (others upon request)
Maximum Working Voltage	5,000V DC, higher voltage on request, not exceeding max. power
Short Time Overload	1,200W at 70°C for 10sec., ΔR=0.4% max.
Power Rating	800W at 85°C Bottom case temperature.
Peak Current	up to 1500 amp. depending on pulse length and frequency Please ask for details
Electric Strength Voltage	6kVrms, 50Hz, upto 12kVrms on special request
Single Shot Voltage	up to 12kV Normwave (1.5/50 μsec)
Partial Discharge	4kVrms, <10pC, up to 7kV on special request
Insulation Resistance	10GΩ min. at 500V
Creeping Distance	42mm min.
Air Distance	14mm min.
Inductance	80nH
Capacity/Mass	110pF
Capacity/Parallel	40pF
Operation Temperature	-55°C to +150°C
Max. Torque for Contacts	2 Nm
Max. Torque for Mounting	1.8 Nm M4 screws (not included)
Derating	9.09W/°K (0.11°K/W)
Power Rating	800W at 85°C bottom case temp. This value is only valid by using a thermal conduction to the heatsink Rth-cs<0.025°K/W. This value can be reached by using thermal transfer compound with a heat conductivity of 1W/mK. The flatness of the cooling plate must be better than 0.05mm overall. The roughness of the surface should not exceed 6.4μm.

Test	Method	Typical Results ΔR
Short time overload	1,000 W/10sec	0.4%
Humidity Steady State	56 days/40°C/95%	0.25%
Temp. Cycling	-55/+125/5 cycles	0.20%
Shock	40g/4,000 times	0.25%
Vibration	2-500Hz/10g	0.25%
Load Life	Pn 30 min. on/30 min off, 1,000cyl	0.40%
Terminal Strength	200N	0.05%

Derating



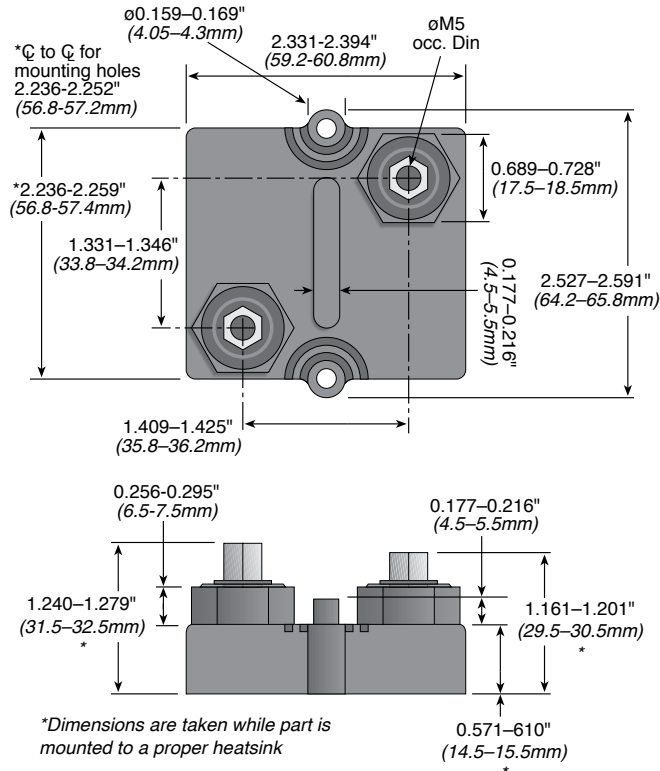
(continued)

TAP800 Series

800 Watt Heat Sinkable Planar

DIMENSIONS

(in./mm)



ORDERING INFORMATION

RoHS compliant
Non-compliant version
unavailable

TAP800K5R0E

Style Wattage Tolerance Resistance
800 watts J = 5% 1 Ohm = 1R0
 K = 10%, Std. 10 Ohm = 10R
 L = 20% 1000 Ohm = 1K0

Standard Values

1.0	100	1000
5.0	220	2700
10	390	3000
15	500	5000
50	680	10,000