

**Product number FA11212_TINA-RS**

Family	Tina	FWHM	10 degrees
Type	Assembly	Efficiency	93 %
LED	LUXEON Rebel	cd/lm	16.900
Color	Black	Gerber File	Available
Diameter	16.1 mm		
Height	9.4 mm		
Style	Round		
Optic Material	PMMA		
Holder Material	PC		
Fastening	Pin, tape		
Status	On production		

**Product number FA11209_TINA-D**

Family	Tina	FWHM	15 degrees
Type	Assembly	Efficiency	92 %
LED	LUXEON Rebel	cd/lm	5.470
Color	Black	Gerber File	Available
Diameter	16.1 mm		
Height	9.4 mm		
Style	Round		
Optic Material	PMMA		
Holder Material	PC		
Fastening	Pin, tape		
Status	On production		

**Product number FA11210_TINA-M**

Family	Tina	FWHM	28 degrees
Type	Assembly	Efficiency	83 %
LED	LUXEON Rebel	cd/lm	1.760
Color	Black	Gerber File	Available
Diameter	16.1 mm		
Height	9.4 mm		
Style	Round		
Optic Material	PMMA		
Holder Material	PC		
Fastening	Pin, tape		
Status	On production		

**Product number FA11203_TINA-O**

Family	Tina	FWHM	34+18 degrees
Type	Assembly	Efficiency	89 %
LED	LUXEON Rebel	cd/lm	2.300
Color	Black	Gerber File	Available
Diameter	16.1 mm		
Height	9.4 mm		
Style	Round		
Optic Material	PMMA		
Holder Material	PC		
Fastening	Pin, tape		
Status	On production		

PRODUCT DATASHEET
Tina series

last update 10/10/2013

**Product number** FA11211_TINA-W

Family	Tina	FWHM	44 degrees
Type	Assembly	Efficiency	88 %
LED	LUXEON Rebel	cd/lm	1.620
Color	Black	Gerber File	Available
Diameter	16.1 mm		
Height	9.4 mm		
Style	Round		
Optic Material	PMMA		
Holder Material	PC		
Fastening	Pin, tape		
Status	On production		

NOTE: The typical divergence will be changed by different color, chip size and chip position tolerance. The typical total divergence is the full angle measured where the luminous intensity is half of the peak value.



PRODUCT DATASHEET

Tina series

last update 10/10/2013

GENERAL INFORMATION

- Product series especially designed & optimized for LUXEON Rebel series of LEDs.
- Special care taken to make light distribution as uniform as possible.
- Lens material optical grade PMMA with high UV and temperature resistance. Allows use of high current and temperature conditions.

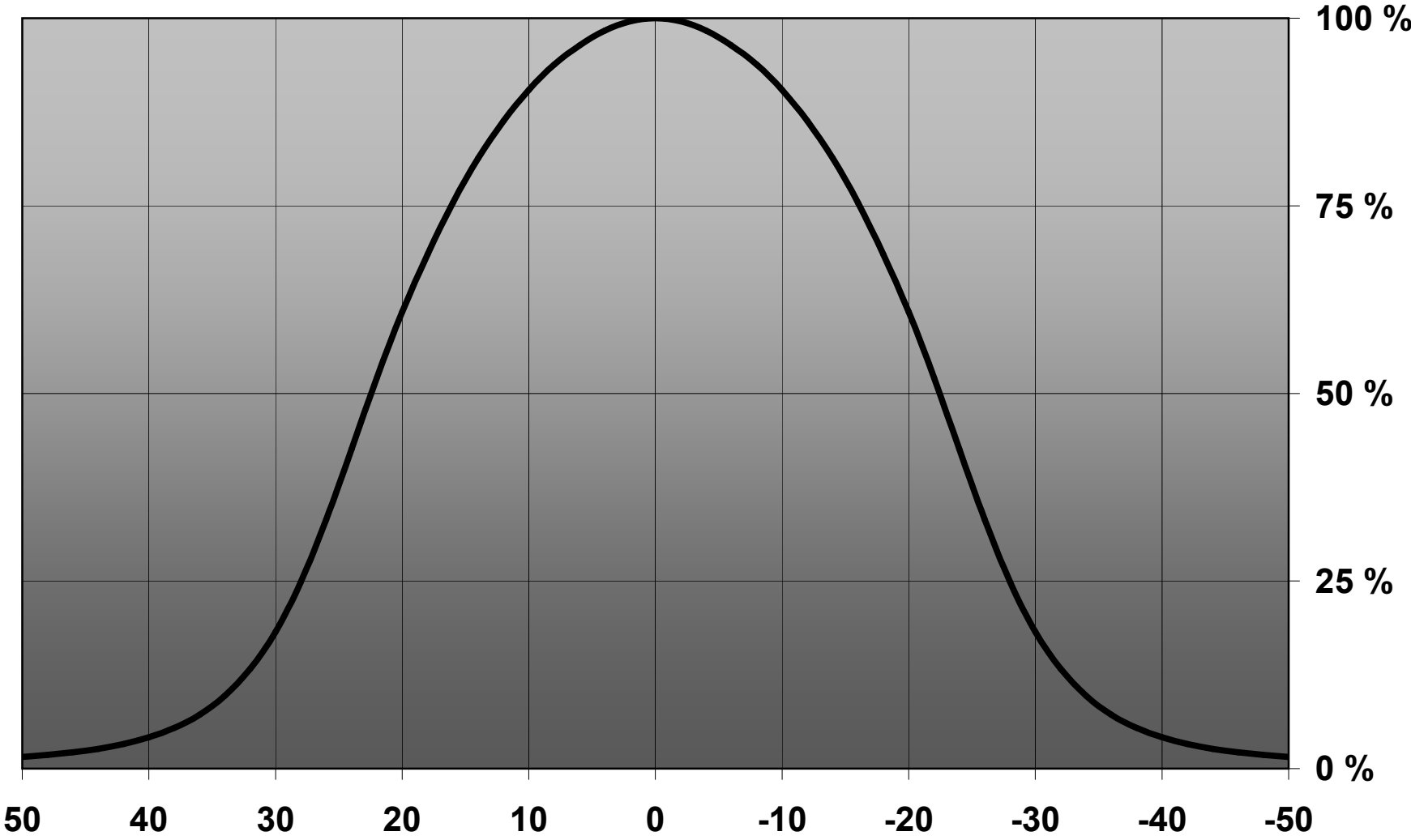
Please find more information about used material from below:

http://ledil.fi/sites/default/files/Documents/Technical/Material/PMMA%20N%20UL94_Yellow%20Card.pdf

<http://ledil.fi/sites/default/files/Documents/Technical/Material/PMMA%20N%20PLEXIGLAS-Datasheet.pdf>

- Optic holder molded by high quality PC material (120 degrees of Celcius / 248 degrees of Fahrenheit).

Relative Intensity of FA11211_Tina-RE-W



D

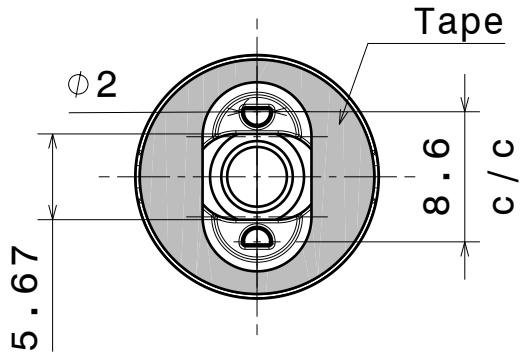
C

B

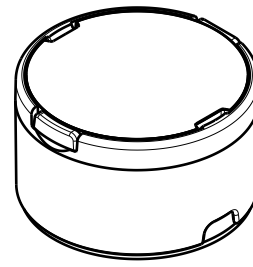
A

4

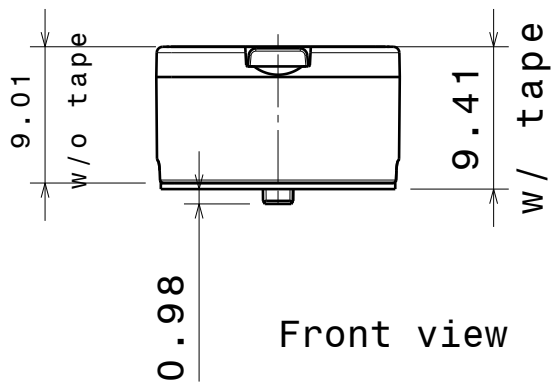
4



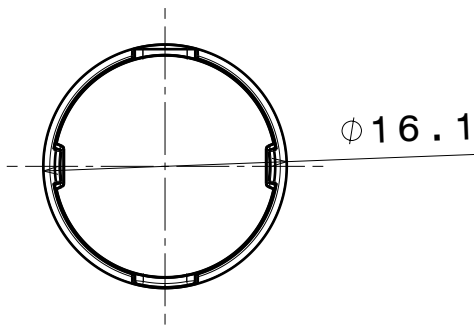
Bottom view



Isometric view



Front view



Top view

Materials
 Lens: PMMA
 Holder: PC
 Tape: PU Foam

3

3

2

2

1

1

This drawing is our property.
 It can't be reproduced
 or communicated without
 our written agreement.



Ledil Oy
 Salorankatu 10
 FIN 24240 SALO
 Finland

DRAWING TITLE Mechanical Drawing

DRAWN BY
 as

DATE
 10.9.2012

TINA-RE

CHECKED BY
 sn

DATE
 -

SIZE
 A4

PART NUMBER
 TINA-RE

REV
 001

DESIGNED BY
 -

DATE
 -

SCALE 2:1

WEIGHT

1,46 g

SHEET

1/1

D

A