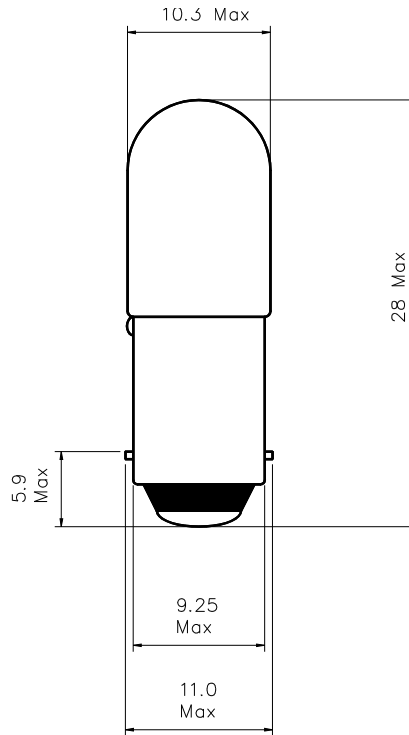


Part Number: W1204

Type	Size	Rating	Description
Incandescent	T10	30V 2W	T-3¼ Miniature Bayonet Lamp



Dimensions in millimetres

TEST VOLTS	CURRENT (mA)			LIGHT OUTPUT (Lm)			LIFE Hours
	Min.	Nom.	Max.	Min.	Nom.	Max.	
30	60	65	74	5	7	9	10,000

Notes:

- |   |                            |   |
|---|----------------------------|---|
| 1 | <b>Base Type</b>           | BA9s/13 in accordance with IEC61-1, (BS EN 60061-1) sheet 7004-14-x |
| 2 | <b>Filament Shape</b>      | C-2F  |
| 3 | <b>Lamp Marking</b>        | CML 30V 2W  |
| 4 | <b>Light Centre Length</b> | 16mm nominal  |
| 5 | <b>Bead Colour</b>         | White or clear  |
| 6 | <b>Environmental</b>       | RoHS & REACH SVHC compliant   |