



LBC 3080/01 Fire Dome



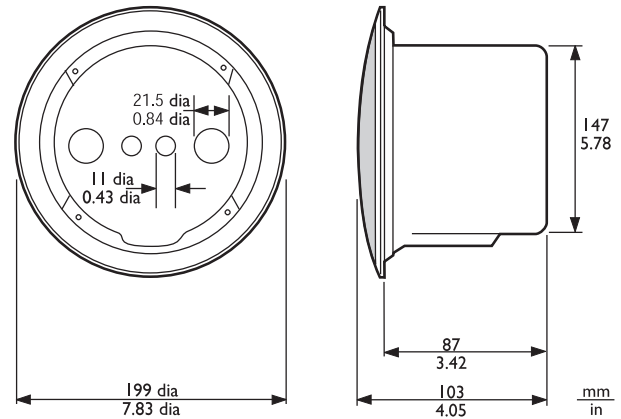
During a fire, the ceiling cavity can allow fire or smoke to spread throughout a building. To inhibit fire entering the cavity via the ceiling loudspeaker, it can be fitted with an LBC 3080/01 steel fire dome. This is mounted on the loudspeaker assembly using four self-tapping screws supplied with the fire dome. The fire-dome has knockout holes for two grommets (supplied) and two cable glands (PG 13).

This fire dome can only be used with the ceiling speakers: LBC 3087/41, LBC 3090/01, LBC 3090/31, LHM 0606/00 and LHM 0606/10.

Certifications and Approvals

Region	Certification
Europe	CE Declaration of Conformity
USA	UL
B15	DIN 4102-8

Installation/Configuration Notes



LBC 3090/01 and LBC 3080/01 Fire Dome assembly dimensions in mm (in)

Parts Included

Quantity	Components
1	LBC 3080/01 Fire Dome
4	Self tapping screws
2	Rubber grommets

Technical Specifications

Mechanical

Dimensions (dia. x max depth)	147 x 87 mm (5.8 x 3.4 in)
Weight	360 g (0.8 lb)
Color	LBC 3080/01 Flame red (RAL 3000).

Ordering Information

LBC 3080/01 Fire Dome

metal fire dome for the LBC 3087/41,
LBC 3090/01, LBC 3090/31, LHM 0606/00
and LHM 0606/10 ceiling loudspeakers

LBC 3080/01

Americas:
Bosch Communications Systems
12000 Portland Avenue South
Burnsville, Minnesota 55337, USA
Phone: +1-800-392-3497
Fax: +1-800-955-6831
audiosupport@us.bosch.com
www.boschsecurity.com

Europe, Middle East, Africa:
Bosch Security Systems B.V.
P.O. Box 80002
5600 JB Eindhoven, The Netherlands
Phone: +31 40 2577 284
Fax: +31 40 2577 330
emea.securitysystems@bosch.com
www.boschsecurity.com

Asia-Pacific:
Robert Bosch (SEA) Pte Ltd
11 Bishan Street 21
Singapore 573943
Phone: +65 6571 2600
Fax: +65 6571 2698
apr.securitysystems@bosch.com
www.boschsecurity.com

Represented by