

XENON BEACONS

Luces a Flash

Feuoc a Flash

Xenon Blitzleuchten

Luces de Destellos

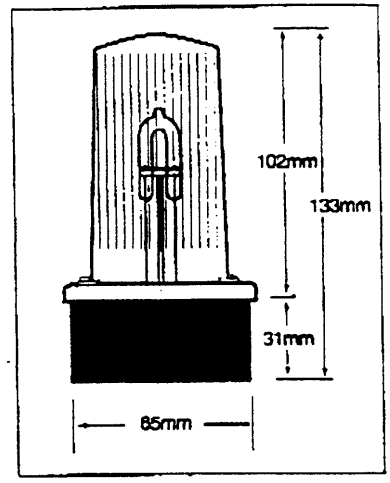
309-9301 TO 309-9374

XENON BEACONS



Code No:	Voltage:	Light Source:	Current:
X125-57	12v Dc --	Xenon 2.9 J	310mA
X125-58	24v Dc --	Xenon 2.9 J	170mA
X125-59	24v Ac -	Xenon 2.9 J	170mA
X125-55	115v Ac -	Xenon 2.3 J	30mA
X125-56	230v Ac -	Xenon 2.7 J	21mA

↑
YOUR PART W/O X125-56FA

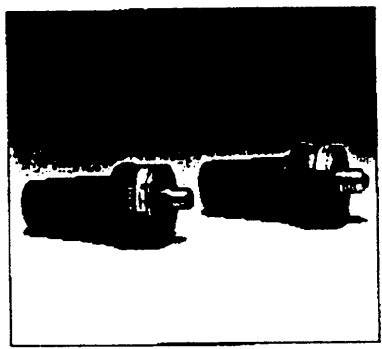


○ f.p.m. 60

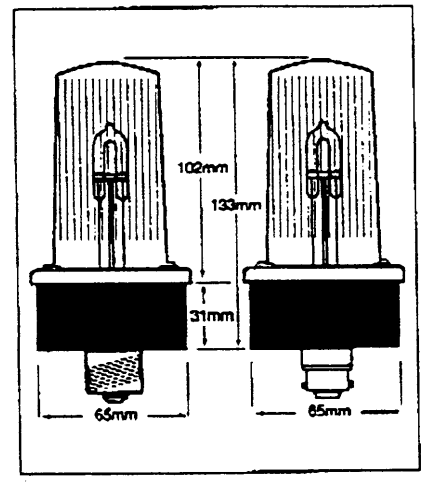
01 04 05
°C -35+66 IP 65 50/60 Hz

Kg 0.17

XENON BEACONS



Code No:	Voltage:	Light Source:	Current:
X125ES-51	115v Ac ~	Xenon 2.3 J	30mA
X125ES-52	230v Ac -	Xenon 2.7 J	21mA
X125BC-53	115v Ac -	Xenon 2.3 J	30mA
X125BC-54	230v Ac -	Xenon 2.7 J	21mA

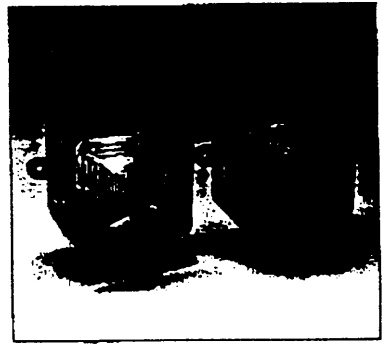


○ f.p.m. 60

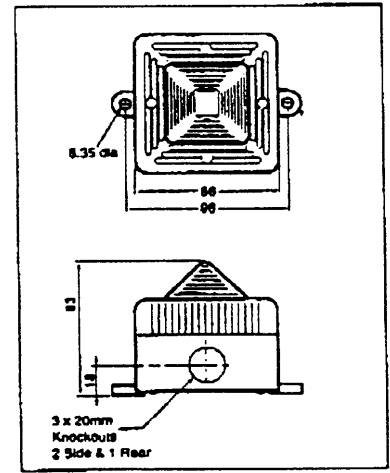
01 04 05
°C -35+66 IP 65 50/60 Hz

Kg 0.20

XENON BEACONS



Code No:	Voltage:	Light Source:	Current:
X150-01	12v Dc --	Xenon 5 J	500mA
X150-02	24v Dc --	Xenon 5 J	250mA
X150-03	48v Dc --	Xenon 5 J	175mA
X150-04	115v Ac -	Xenon 5 J	70mA
X150-05	230v Ac ~	Xenon 5 J	35mA



○ f.p.m. 60

01 04 05
°C -25+55 IP 55 50/60 Hz

Kg 0.25