

Denna handling får ej utan vårt medgivande kopieras. Den får ej heller delges annan eller ejest obehörigen användas. Överträdelse härav beivras med stöd av gällande lag.

Revision Note

Status

Released

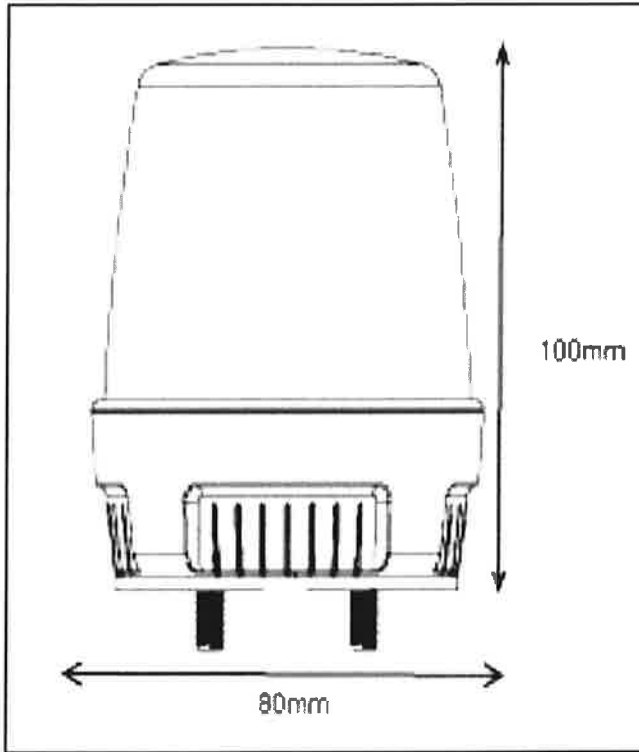
Date of approval

2015-04-21

Approved by

JAB

Supplier part no revised.



- 360° Visibility
- 65-75 FPM
- Flashing and continuously lit modes
- Clear lens with coloured LEDs
- Operating temperature -20°C to +55°C
- High voltage transient and polarity reversal protection fitted
- Polycarbonate base and lens
- IP67 when installed correctly
- CE

VOLTAGE	AMPS (Flashing)	AMPS (Constant)	COLOUR
10-100Vac, 10-100Vdc	110mA @ 12Vdc, 55mA @ 24Vdc, 35mA @ 50Vac, 25mA @ 100Vac	80mA @ 12Vdc, 40mA @ 24Vdc, 25mA @ 50Vac, 20mA @ 100Vac	Amber

Supplier part no. 44600201
Farnell part no: 1494660

This document must not be copied without our written permission, and the contents thereof must not be imparted to a third party nor be used for any unauthorized purpose. Contravention will be prosecuted.

View		Author GAAND	Created 2014-03-26	Scale ---	Sheet 1(1)
		BLIXTL. ORANGE 24V AC/DC LED FLASHLIGHT AMBER 24V AC/DC LED		2166431 - 1	