

# 15/45 Premate Ground

## Powerpole® Connector

Designed with the same time-tested flat wiping technology as our standard Powerpoles, the Multipurpose Powerpole contact is a make-first/break-last connection when used in a multipole configuration with our standard 15/45 Powerpoles. The dovetailed housing allows you to interlock multiple housings into vertical or horizontal connector banks specific to your individual project requirements.

Powerpole connectors provide 600 Volts continuous AC or DC operation. This contact accommodates wire sizes from #14 to #10 AWG (1.5 to 4 mm<sup>2</sup>). Contacts are available reeled or loose piece to accommodate production needs

*NOTE: Recommended for use in ground, signal and auxiliary control applications only.*

### Features

- **Make-first / break-last connection when used in conjunction with our standard 15/45 Powerpoles**

*Provides safety and system integrity*

- **Housings available in green (US standard) or brown (EU standard)**

*Visual indication of ground terminal*

- **Molded-In dovetails**

*Can be assembled with standard Powerpole 15/45 housings to make pregrounded and multipole configurations*

- **UL listed for grounding**

*For use in pre-mate ground, signal, or auxiliary control applications*



### SPECIFICATIONS

Electrical		Mechanical	
Current Rating		Contact Retention Force (lbf)	25
• UL	45	(N)	111
• CSA	35		
Voltage Ratings* UL & CSA (AC/DC)	600	Life	
Contact Barrel Wire Size - Superflex (AWG)	#14 to #10	a. No Load (mating cycles)	2,500
(mm <sup>2</sup> )	1.5 to 4	b. Under Load	
Maximum Wire Insulation Diameter (inches)	0.175	(Hot Plug 250 mating cycles @ 120V)	30A
(mm)	4.45	Connect / Disconnect (lbf)	
AVG Contact Resistance (micro-ohms)	525	(N)	3
Dielectric Withstanding Voltage (AC/DC)	2,200		13.3
Operating Temperature (°C)	-20° to 105°	<b>Material</b>	
(°F)	-4° to 221°	Housing **	Polycarbonate
Flammability Rating of Housing Material	UL94 V-0	Contact Plating	Copper, Tin Plated






\* Both AC & DC Voltage \*\* Contact factory for alternative material

### ORDERING INFORMATION

#### Housing & Contact

Part Number	Housing Color
1845G1	Green
1845G2	Brown

#### Housings Only

Part Number	Housing Color
1827G1	Green housing
1827G2	Brown housing

#### Contacts - (Tin Plated)

Part Number	Description	Wire	
		AWG	sq. mm
1830G1	Reel, Premate*	10 / 14	4 to 1.5
1830G1-LPBK	Sing.Reel, Premate	10 / 14	4 to 1.5
3-5952P1	Right Angle PCB, Individual	N/A	N/A

#### Accessories

Part Number	Description
1441G1	Female splash boot
1442G1	Male splash boot
110G21	Blok lok, 2 pole

#### accessories continued

Part Number	Description
110G12	Blok lok, 4 pole
1399G9	Red mounting wing
1399G8	Blue mounting wing
110G68	PP15/45 retention clip
1399G1	Red short spacer with end hole
1399G2	Red long spacer
1399G6	Red short spacer without hole
1462G1	2 & 4 pole mounting clamp set
1462G2	3 & 6 pole mounting clamp set
1462G3	4 & 8 pole mounting clamp set

*NOTE: For additional colors please contact customer service  
\* Contact will mate \*\*\* (\*\*mm) before standard 15/45 Powerpole housings and contacts when used together.*

**HEADQUARTERS:** Anderson Power Products®, 13 Pratts Junction Road, Sterling, MA 01564-2305 USA T:978-422-3600 F:978-422-3700

**EUROPE:** Anderson Power Products® Ltd., Unit 3, Europa Court, Europa Boulevard, Westbrook, Warrington, Cheshire, WA5 7TN United Kingdom T: +44 (0) 1925 428390 F: +44 (0) 1925 428399

**ASIA / PACIFIC:** IDEAL Anderson Asia Pacific Ltd., Unit 922-928 Topsail Plaza, 11 On Sum Street, Shatin N.T., Hong Kong T: +(852) 2636 0836 F: +(852) 2635 9036

**CHINA:** IDEAL Anderson Technologies (Shenzhen) Ltd., Block A8 Tantou Western Industrial Park, Songgang Baoan District, Shenzhen, P.R. China 518105 T: +(86) 755 2768 2118 F: +(86) 755 2768 2218

**TAIWAN:** IDEAL Anderson Asia Pacific Ltd., Taiwan Branch, 4F.-2, No. 116, Dadun 20th St., Situn District, Taichung City 407, Taiwan (R.O.C.) T: +(886) 4 2310 6451 F: +(886) 4 2310 6460

[www.andersonpower.com](http://www.andersonpower.com)

## ORDERING INFORMATION

accessories continued

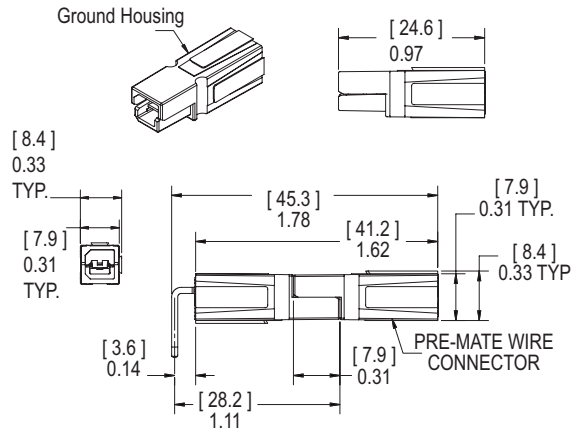
Part Number	Description
110G16	Retaining pins, 1 high block of connectors
110G17	Retaining pins, 2 high block of connectors

## Tooling

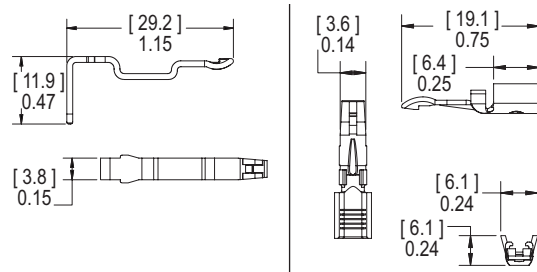
Part Number	Description
111038G2	Contact insertion / extraction tool
1309G6	Hand crimp tool for superflex wire contacts & 1830G1
260G23	Applicator for 1830G1 contacts (for use with 250G9 press)
250G9	Press for 1830G1 contacts (110V / 220V)

## DIMENSIONS

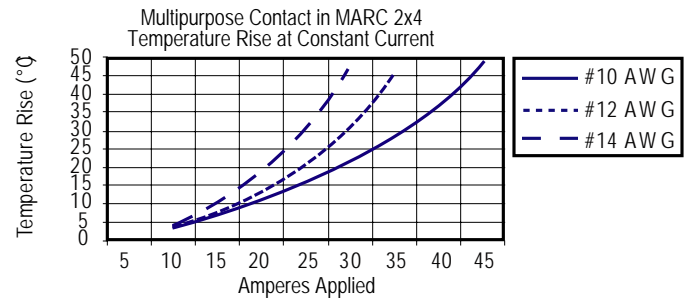
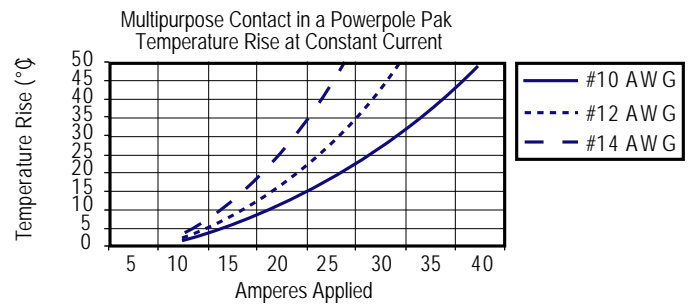
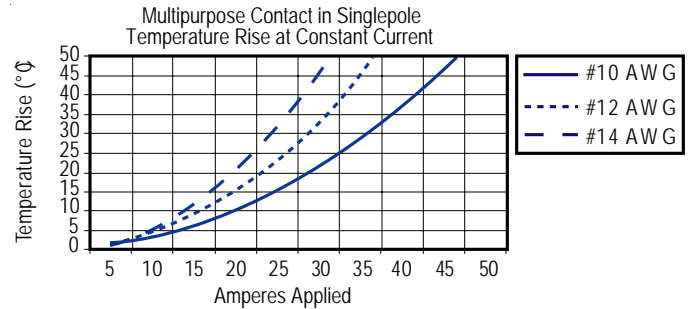
### Housing



### Contacts



## TEMPERATURE CHART



## Mounting Clamps

Part Number	-A- mm in.	-B- mm in.	-C- mm in.	-D- mm in.	Number of Poles
1462G1	23.9 0.94	26.9 1.06	17.3 0.68	4.1 0.16	(2 Pole)
1462G1	23.9 0.94	35.1 1.38	25.4 1.00	4.1 0.16	(4 Pole)
1462G2	31.8 1.25	26.9 1.06	17.3 0.68	4.1 0.16	(3 Pole)
1462G2	31.8 1.25	35.1 1.38	25.4 1.00	4.1 0.16	(6 Pole)
1462G3	39.6 1.56	26.9 1.06	17.3 0.68	4.1 0.16	(4 Pole)
1462G3	39.6 1.56	35.1 1.38	25.4 1.00	4.1 0.16	(8 Pole)

