

HDMI Receptacle to HDMI Receptacle

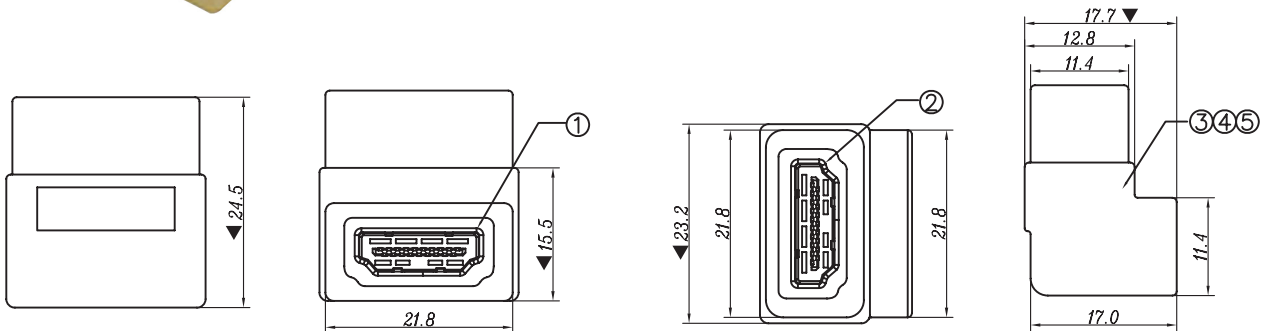


**RoHS
Compliant**

Specifications:

Electrical Characteristics

Current Rating : 1A DC
 Withstanding Voltage : 300V DC, 10 ms
 Insulation Resistance : 10MΩ
 Conductive Resistance : 2Ω



Dimensions : Millimetres

Specification Table

No.	Description	Material Description
1	HDMI Connector	HDMI 19 PA Type Female Solder Type With Cover
2	HDMI Connector	HDMI 19 PA Type Female Solder Type With PCB
3	PE	PE Low Density
4	PVC	PVC : 45Pa, White (Optional)
5	Copper Foil	Width : 10mm T = 18 U Inches

PIN ASSIGNMENT:

HDMI 19F	HDMI 19F	HDMI 19F	HDMI 19F
3	3 (TMDS Data 2-)	12	12 (TMDS Clock -)
1	1 (TMDS Data 2+)	10	10 (TMDS Clock +)
2	2 (TMDS Data 2 Shield)	11	11 (TMDS Clock Shield)
6	6 (TMDS Data 1-)	18	18 (+5V Power)
4	4 (TMDS Data 1+)	17	17 (Ground)
5	5 (TMDS Data 1 Shield)	15	15 (DDC Clock)
9	9 (TMDS Data 0-)	16	16 (DDC Data)
7	7 (TMDS Data 0+)	19	19 (Hot Plug Detect)
8	8 (TMDS Data 0 Shield)	13	13 (CEC)
		14	14 (NC)
		SHELL	SHELL

Part Number Table

Description	Part Number
Adapter, HDMI RCPT to HDMI RCPT	1901121

Important Notice : This data sheet and its contents (the "Information") belong to the members of the Premier Farnell group of companies (the "Group") or are licensed to it. No licence is granted for the use of it other than for information purposes in connection with the products to which it relates. No licence of any intellectual property rights is granted. The Information is subject to change without notice and replaces all data sheets previously supplied. The Information supplied is believed to be accurate but the Group assumes no responsibility for its accuracy or completeness, any error in or omission from it or for any use made of it. Users of this data sheet should check for themselves the Information and the suitability of the products for their purpose and not make any assumptions based on information included or omitted. Liability for loss or damage resulting from any reliance on the Information or use of it (including liability resulting from negligence or where the Group was aware of the possibility of such loss or damage arising) is excluded. This will not operate to limit or restrict the Group's liability for death or personal injury resulting from its negligence. Multicomp is the registered trademark of the Group. © Premier Farnell plc 2012.