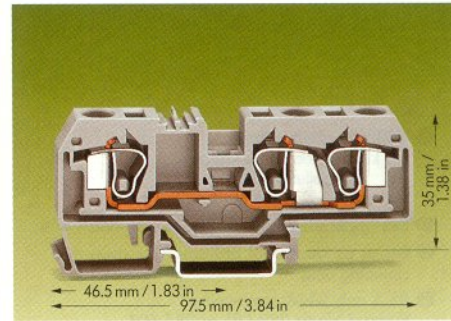
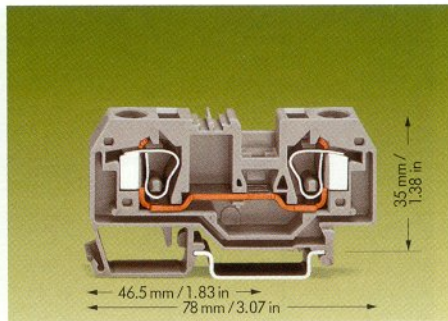
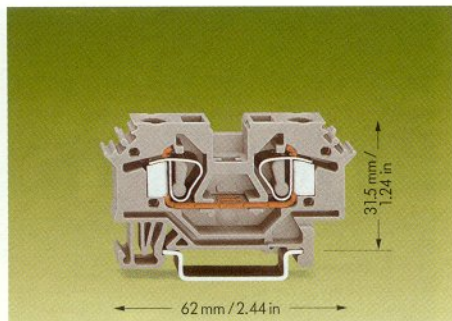
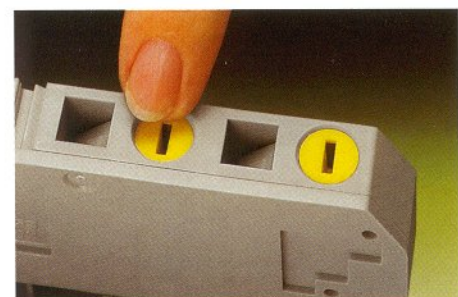


<p>0.2 – 6 mm<sup>2</sup> 800 V/8 kV/3 ① 41 A</p> <p>Terminal block width 8 mm / 0.315 in 12 – 13 mm / 0.49 in</p> <p>AWG 24 – 10 600 V, 30 A ② 600 V, 40 A ③</p>	<p>0.2 – 10 mm<sup>2</sup> 800 V/8 kV/3 ① 57 A</p> <p>Terminal block width 10 mm / 0.394 in 12 – 13 mm / 0.49 in</p> <p>AWG 24 – 8 600 V, 50 A ② 600 V, 54 A ③</p>	<p>0.2 – 10 mm<sup>2</sup> 800 V/8 kV/3 ① 57 A</p> <p>Terminal block width 10 mm / 0.394 in 12 – 13 mm / 0.49 in</p> <p>AWG 24 – 8 600 V, 50 A ② 600 V, 54 A ③</p>
<p>*  CCARKE®  SABS  GL BV LR NV </p>		



Item-No.	Pack.-unit pcs	Item-No.	Pack.-unit pcs	Item-No.	Pack.-unit pcs
<b>2-conductor through terminal blocks</b>		<b>2-conductor through terminal blocks</b>		<b>3-conductor through terminal blocks</b>	
grey <b>282-601</b>	50	grey <b>284-901</b>	25	grey <b>284-681</b>	25
blue <b>282-604</b> ①	50	blue <b>284-904</b>	25	blue <b>284-684</b>	25
orange <b>284-902</b>	25	orange <b>284-902</b>	25	orange <b>284-682</b>	25
gr. (earth) cond. <b>282-607</b>	page 1.63	gr. (earth) cond. <b>284-907</b>	page 1.63	gr. (earth) cond. <b>284-687</b>	page 1.63
Appropriate marking system <b>WMB/WSB/WFB</b>		Appropriate marking system <b>WMB/WSB/WFB</b>		Appropriate marking system <b>WMB/WSB/WFB</b>	
orange grey		orange grey		orange grey	
4 mm / 0.157 in thick <b>282-317 282-316</b>	100 (4 x 25)	2.5 mm / 0.098 in thick <b>284-328 284-325</b>	100 (4 x 25)	2.5 mm / 0.098 in thick <b>284-339 284-308</b>	100 (4 x 25)
2 mm / 0.079 in thick <b>282-327 282-337</b>	100 (4 x 25)	2 mm / 0.079 in thick <b>284-329 284-326</b>	100 (4 x 25)	2 mm / 0.079 in thick <b>284-340 284-309</b>	100 (4 x 25)
6 mm / 0.236 in wide <b>249-116</b>	100 (4 x 25)	6 mm / 0.236 in wide <b>249-116</b>	100 (4 x 25)	6 mm / 0.236 in wide <b>249-116</b>	100 (4 x 25)
10 mm / 0.394 in wide <b>249-117</b>	50 (2 x 25)	10 mm / 0.394 in wide <b>249-117</b>	50 (2 x 25)	10 mm / 0.394 in wide <b>249-117</b>	50 (2 x 25)
I <sub>N</sub> 41 A		I <sub>N</sub> 57 A		I <sub>N</sub> 57 A	
grey <b>282-402</b>	100 (4 x 25)	grey <b>284-402</b>	100 (4 x 25)	grey <b>284-402</b>	100 (4 x 25)
yellow-green <b>282-422</b>	100 (4 x 25)	yellow-green <b>284-422</b>	100 (4 x 25)	yellow-green <b>284-422</b>	100 (4 x 25)
I <sub>N</sub> 41 A		I <sub>N</sub> 57 A		I <sub>N</sub> 57 A	
grey <b>282-409</b>	100 (4 x 25)	grey <b>284-409</b>	50 (2 x 25)	grey <b>284-409</b>	50 (2 x 25)
8 mm / 0.315 in wide		8 mm / 0.315 in wide		8 mm / 0.315 in wide	
<b>209-170</b>	50 (2 x 25)	<b>209-170</b>	50 (2 x 25)	<b>209-170</b>	50 (2 x 25)
for test plug 4 mm / 0.157 in Ø		for test plug 4 mm / 0.157 in Ø		for test plug 4 mm / 0.157 in Ø	
yellow <b>282-415</b>	100 (4 x 25)	yellow <b>284-415</b>	50 (2 x 25)	yellow <b>284-415</b>	50 (2 x 25)
I <sub>N</sub> 15 A <b>284-414</b>	50 (2 x 25)	I <sub>N</sub> 15 A <b>284-414</b>	50 (2 x 25)	I <sub>N</sub> 15 A <b>284-414</b>	50 (2 x 25)
I <sub>N</sub> 30 A <b>284-413</b>	50 (2 x 25)	I <sub>N</sub> 30 A <b>284-413</b>	50 (2 x 25)	I <sub>N</sub> 30 A <b>284-413</b>	50 (2 x 25)
orange grey		1 mm / 0.039 in thick		1 mm / 0.039 in thick	
1 mm / 0.039 in thick <b>284-344 284-334</b>	25	grey <b>284-357</b>	25	grey <b>284-358</b>	25
1 mm / 0.039 in thick <b>284-346 284-336</b>	25	orange <b>284-367</b>	25	orange <b>284-368</b>	25
		yellow <b>284-400</b>	100 (4 x 25)	yellow <b>284-400</b>	100 (4 x 25)



Finger guard cover snapped into unused clamping unit.