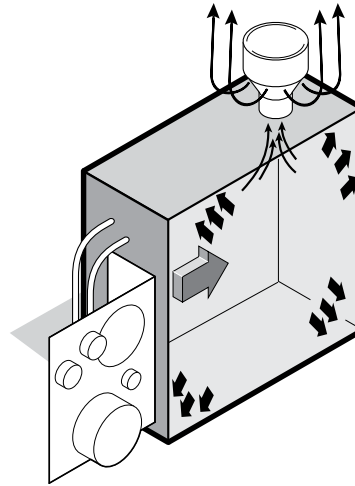


LARGE-VOLUME TYPE Y AND Z PURGING/PRESSURIZATION SYSTEM



INDUSTRY STANDARDS

(Volume up to 90 cubic feet)

3003 LPS

NEC **Type Y** Class 1, Division 1, Groups A, B, C and D / Zone 1 Groups IIA, IIB and IIC to Division 2 / Zone 2

NEC **Type Z** Class I, Division 2, Groups A, B, C and D / Zone 2 Groups IIA, IIB and IIC to Nonhazardous

Classified by Underwriters Laboratories, NFPA 496-1993

APPLICATION

Large-Volume Purging/Pressurization System supplies one or more enclosures, up to 90 cubic feet total volume, with a protective gas supply, thus allowing the use of general-purpose enclosures in certain Class 1, Division 1 and 2 hazardous locations.

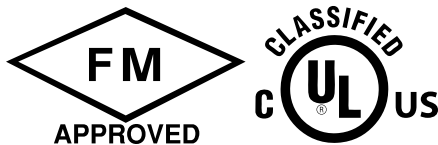
SPECIFICATIONS

- Vertical mount (VM) or horizontal mount (HM)
- 90 cubic feet maximum enclosure volume
- System face plate and mounting plate: Type 316 stainless steel with tumble finish
- Regulator body: zinc with enamel finish
- Manifold body: anodized aluminum with Type 316 stainless steel valves
- Enclosure pressure gauge: aluminum with enamel finish
- Gas supply gauge: poly case and nickel-plated tube
- Enclosure protection vent—90 degree
- Rapid exchange control valve
- Enclosure supply and enclosure reference bulkhead fittings: Type 316 stainless steel
- Fastener hardware

PROTECTED ENCLOSURES

Enclosures should be constructed from materials such as metal, fiberglass or polycarbonate material. Enclosure seal should meet or exceed NEMA Type 4 or Type 12 performance requirements.

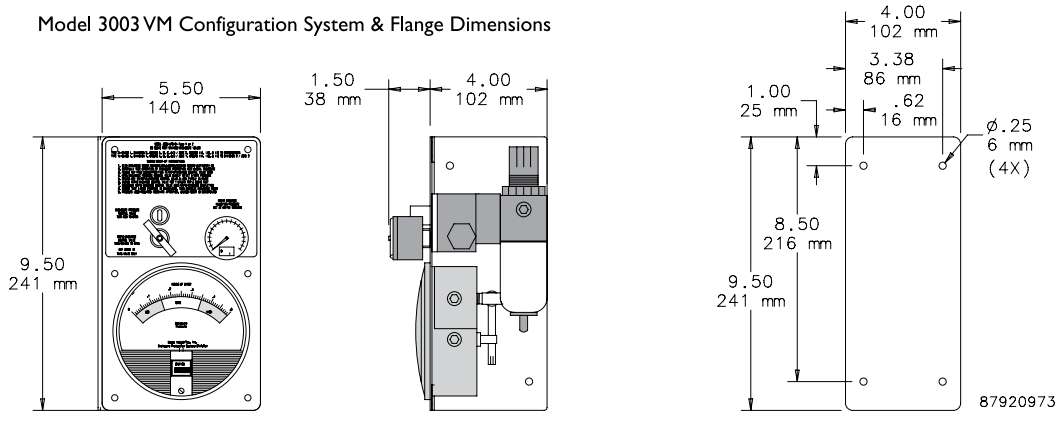
BULLETIN: HL



Standard Product

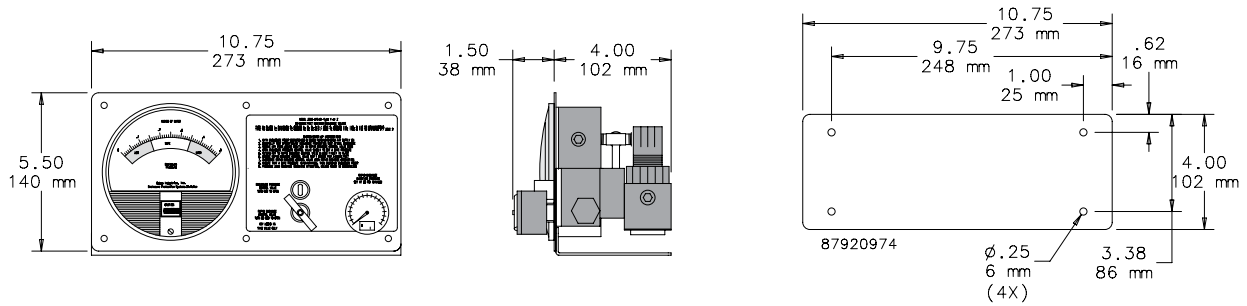
Catalog Number	Height in./mm	Width in./mm	Depth in./mm	Volume (ft. ³)	Volume (m ³)	Weight (lb.)	Weight (kg)
A3003YZVM	9.50 241	5.50 140	5.50 140	90	2.55	10	4.54
A3003YZHM	5.50 140	10.75 273	5.50 140	90	2.55	10	4.54

Model 3003 VM Configuration System & Flange Dimensions



Vertical Mount Flange

Model 3003 HM Configuration System & Flange Dimensions



Horizontal Mount Flange