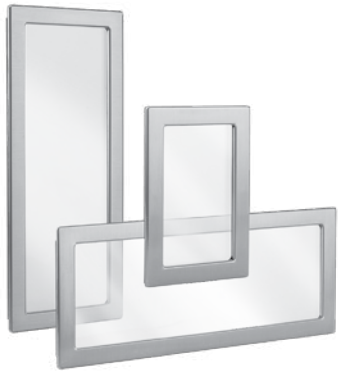


HAZARDOUS LOCATION WINDOW KITS



INDUSTRY STANDARDS

IECEX and ATEX Approvals
 Suitable for use on increased safety enclosures for ZONE 1 or ZONE 2 assemblies
 ATEX Directive 94/9/EC
 ATEX
 Sira 13ATEX3315U
 Ex e IIC Gb
 Ex tb IIIC Db IP 66
 IECEX
 IECEX SIR 13.0123U
 Ex e IIC Gb
 Ex tb IIIC Db IP 66

UL 508A Component Recognized; Type 4, 4X, 12, 3R; File No. E61997

cUR Component Recognized per CSA C22.2 No. 94; Type 4, 4X, 12, 3R; File No. E61997
 NEMA/EEMAC 4, 4X, 12, 13
 IEC 60529, IP66

APPLICATION

Hazardous Location Window Kits are designed to be used on Increased Safety (Ex e) enclosures in ATEX or IECEX Zone 1 or 2 hazardous areas. These window kits are made with a robust heavy-gauge Type 316 stainless steel frame and a silicone gasket to ensure a dust-, oil-, and water-tight seal. Designed for use as viewing windows, these window kits are ideal for visibility of internal enclosure components. The windows are easily installed by making a cutout in the enclosure and attaching the window and frame with included mounting hardware.

FEATURES

- Robust window frames are made from heavy-gauge Type 316 stainless steel with a brushed finish
- Secure sealing with silicon gasket to protect against water and dust ingress in high-temperature applications
- Maintain visual on components through .25-in. (6-mm) tempered safety glass
- Easy installation in enclosure cutouts with window frame hardware

MODIFICATION AND CUSTOMIZATION

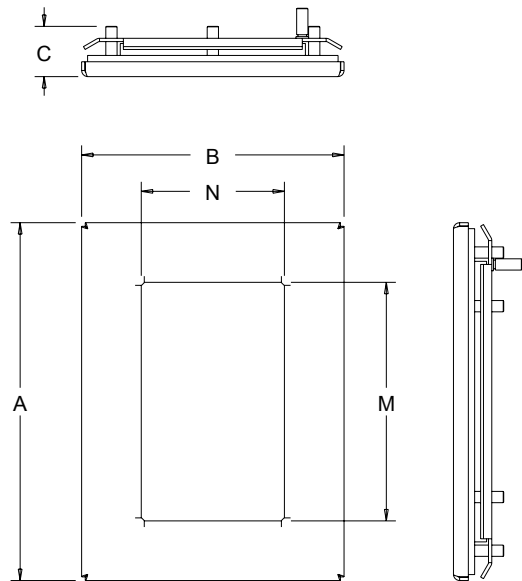
Hoffman excels at modifying and customizing products to your specifications. Contact your local Hoffman sales office or distributor for complete information.

BULLETIN: A80SW

Standard Product

Catalog Number	AxBxC in./mm	M in./mm	N in./mm	Required Cutout size in./mm
EXWK53SS6	7.50 x 5.50 x 1.43	5.00	3.00	6.69 x 4.69
	191 x 140 x 36	127	76	170 x 119
EXWK95SS6	11.50 x 8.00 x 1.43	9.00	5.50	10.69 x 7.19
	292 x 203 x 36	229	140	272 x 183
EXWK711SS6	9.50 x 13.05 x 1.43	7.00	11.00	8.69 x 12.69
	241 x 343 x 36	178	279	211 x 392
EXWK138SS6	15.50 x 10.50 x 1.43	13.00	8.00	14.69 x 9.69
	394 x 267 x 36	330	203	373 x 246
EXWK715SS6	9.50 x 17.50 x 1.43	7.00	15.00	8.69 x 16.69
	241 x 445 x 36	178	381	211 x 424
EXWK1711SS6	19.50 x 13.50 x 1.43	17.00	11.00	18.69 x 12.69
	495 x 343 x 36	432	279	475 x 322
EXWK720SS6	9.50 x 22.50 x 1.43	7.00	20.00	8.69 x 21.69
	241 x 572 x 36	178	508	221 x 551
EXWK2315SS6	25.50 x 17.50 x 1.43	23.00	15.00	24.69 x 16.69
	648 x 445 x 36	584	381	627 x 424
EXWK724SS6	9.50 x 26.50 x 1.43	7.00	24.00	8.69 x 25.69
	241 x 673 x 36	178	610	653 x 221
EXWK729SS6	9.50 x 31.50 x 1.43	7.00	29.00	8.69 x 30.69
	241 x 800 x 36	178	737	221 x 780
EXWK2919SS6	31.50 x 21.50 x 1.43	29.00	19.00	30.69 x 20.69
	800 x 546 x 36	737	483	780 x 526

M x N = Window size



89106854

Notes