

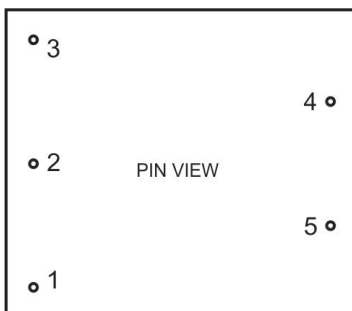


### Features:

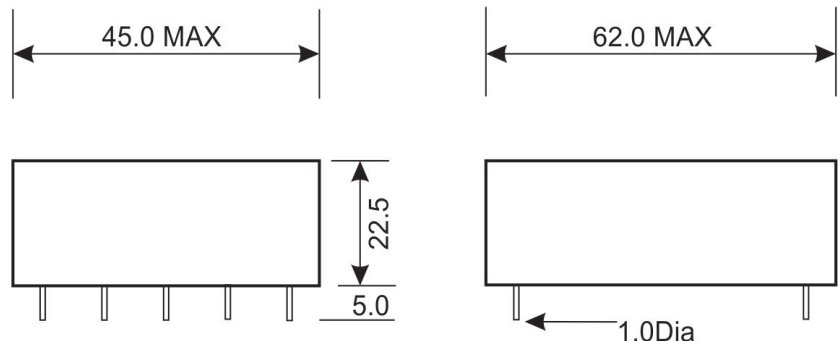
- 20W Small Compact Size
- Single Output - Regulated
- Output Range: 3.3V - 48VDC
- Input: 90 - 265VAC , 47 - 63Hz
- Low Standby Power <0.3W
- Low Ripple & Noise
- Encapsulated Design
- Fully Isolated Pri - Sec >4200Vrms
- Materials: UL94-V0
- Safety: EN61558, EN60950, CE

Part Number	Power Rating Watts	Output Voltage (VDC)	Output Current (mA)	Ambient Temp. (°C)	Efficiency Typical	Input Range
VTX-214-020-103	20	3.3	6000	70	86%	90 - 265VAC
VTX-214-020-105	20	5	4000			
VTX-214-020-106	20	6	3333			
VTX-214-020-107	20	7.5	2666			
VTX-214-020-109	20	9	2222			
VTX-214-020-112	20	12	1666			
VTX-214-020-115	20	15	1333			
VTX-214-020-118	20	18	1111			
VTX-214-020-124	20	24	833			
VTX-214-020-148	20	48	416			

**Note: Other output voltages are available upon request.**



Pin 1: Input FG  
 Pin 2: Input AC N  
 Pin 3: Input AC L  
 Pin 4: Output DC +V  
 Pin 5: Output GND



Unit weight: 100g

Please contact Vigortronix for any enquiries. Products can be altered to suit custom requirements.  
 The information contained in this document is subject to change without notice.

Vigortronix, 16 De Havilland Way, Witney, Oxfordshire, OX29 0YG, UK

Tel. +44 (0)1993 777570 Fax. +44 (0)1993 777580 Web. www.vigortronix.com E-mail: sales@vigortronix.com

Vigortronix is a trading name of Vigortronix (UK) Limited

Model: 20 Watt		Specification
<b>INPUT</b>  <b>Pin 3: L</b> <b>Pin 2: N</b> <b>Pin 1: FG</b>	Voltage Range	90 - 264VAC / 47 - 63Hz
	Current	100mA Max (100VAC) / 70mA Max (240VAC)
	Inrush Current	15A Max (100VAC) / 25A Max (240VAC)
	No Load power	0.3W Max
	Leakage Current	0.3mA Max
<b>OUTPUT</b>  <b>Pin 4: DC+</b> <b>Pin 5: GND</b>	Voltage Accuracy	1%
	Load Regulation Vout-load	0.5%
	Ripple	<1% (mVp-p)
	Efficiency	86%
	Minimum Load	0
<b>Protection</b>	Over Power	Hiccup mode
	Over Voltage	Hiccup mode
	Short Circuit Protection	Hiccup mode
<b>Dielectric Isolation</b>	Input to Output	3600Vrms, 5mA 1 Min (4200VAC 2sec)
<b>Environment</b>	Operating Temperature	-25°C - +70°C (Full Load)
	Storage Temperature	-40°C - +105°C
	Humidity	10 - 95% RH
	<b>MTBF</b>	>200,000Hrs @ 25°C (MIL-HDBK-217F)
	Weight	100g
<b>Safety</b>	Agency Approval	EN60950-1, EN61558-1, EN61558-2-6, EN61558-2-17
<b>EMC</b>	EMI	CISPR22, EN55022 Class B
	EMS	Compliance with EN55024, EN55014-1, EN55014-2, EN61000-3-2 Class A, EN61000-3-3

Please contact Vigortronix for any enquiries. Products can be altered to suit custom requirements.  
 The information contained in this document is subject to change without notice.

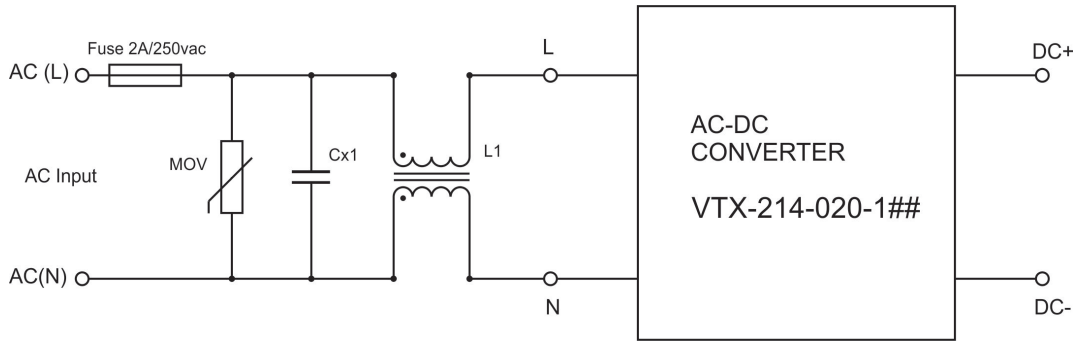
Vigortronix, 16 De Havilland Way, Witney, Oxfordshire, OX29 0YG, UK

Tel. +44 (0)1993 777570 Fax. +44 (0)1993 777580 Web. www.vigortronix.com E-mail: sales@vigortronix.com

Vigortronix is a trading name of Vigortronix (UK) Limited

**Vigortronix.com**

## Recommended Application and Test Schematic

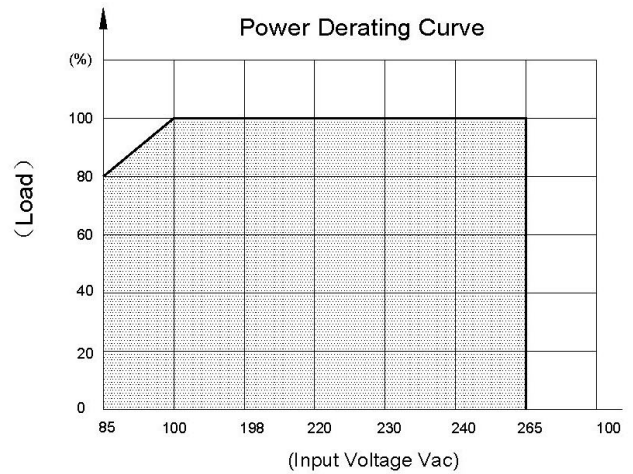
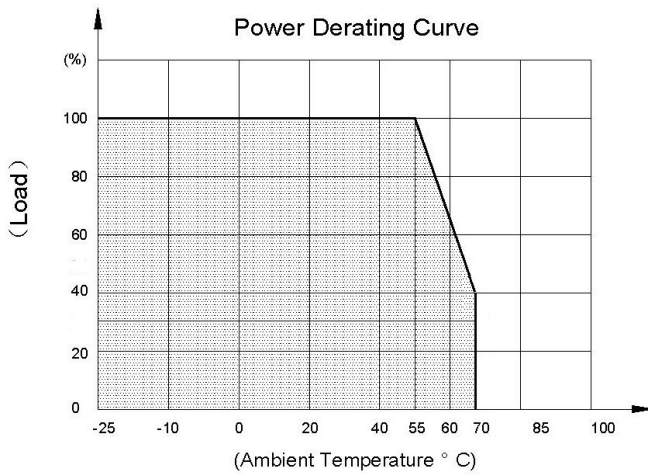


MOV : Type 14D431K  
 CX1: X2-Capacitor 0.22uF/275Vac  
 L1: Common Mode Choke, 10-20mH

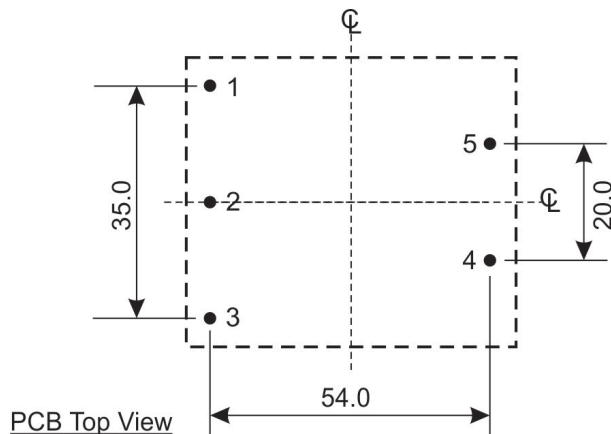
### Notes:

It is recommended for Surge protection to fit a Varistor, similar to 14D431K  
 Pin FG to be connected to Supply Earth if Available, otherwise leave unused.

## Derating Graph



## PCB Layout



Recommended PCB  
 Hole size: 1.5mm Dia.

- Pin 1: Input FG
- Pin 2: Input AC N
- Pin 3: Input AC L
- Pin 4: Output DC +V
- Pin 5: Output GND

Please contact Vigortronix for any enquiries. Products can be altered to suit custom requirements.  
 The information contained in this document is subject to change without notice.

Vigortronix, 16 De Havilland Way, Witney, Oxfordshire, OX29 0YG, UK

Tel. +44 (0)1993 777570 Fax. +44 (0)1993 777580 Web. www.vigortronix.com E-mail: sales@vigortronix.com

Vigortronix is a trading name of Vigortronix (UK) Limited