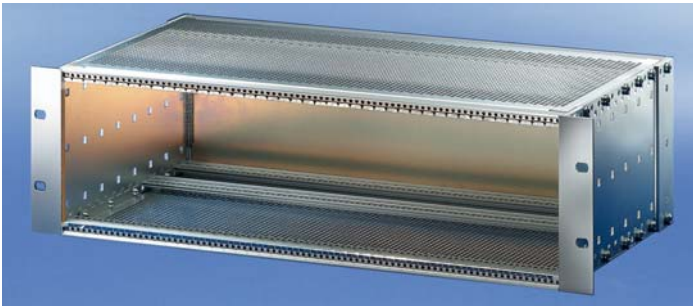


Subracks - *europac* PRO

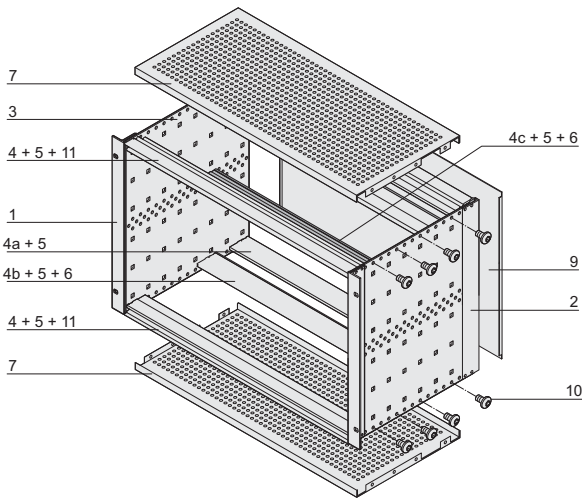
Kit, "flexible", shielded,
for backplane mounting



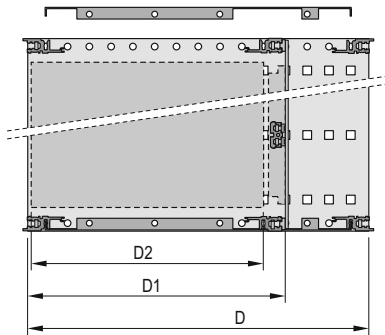
- Subrack with side panel type F ("flexible"), 19" bracket is depth-adjustable
- Rear horizontal rail for backplane mounting with insulation strip
- Shielding typically 40 dB at 1 GHz, 30 dB at 2 GHz, assuming that the front is closed with shielded front panels
- Installed load up to 11 kg

Delivery comprises ((kit))

Item	Qty		Description
	3 U	6 U	
1	2	2	19" support bracket for EMC textile gasket
2	2	2	Rear corner profile for EMC textile gasket
3	2	2	Side panel type F
4	2	2	Front horizontal rail (L-KD)
4 a	2	2	Rear horizontal rail (L-KD)
4 b	2	2	Rear horizontal rail (L-ST) for backplane mounting with insulation strip
4 c	-	1	Centre horizontal rail (ST)
5	6	8	Threaded insert (pre-fitted)
6	2	4	Insulation strip, fixed
7	2	2	EMC cover plate
8	1	1	EMC gasketing material (pre-fitted)
9	1	1	Rear panel
10	1	1	Fixing material kit
11	2	2	Perforated strip (pre-fitted)
12	1	1	User manual



6 U



D = overall depth, D1 = insertion depth,
D2 = board depth = D1 - 15 mm



Rear horizontal rail for backplane mounting with insulation strip

Order Information

Height U	Width HP	Depth D mm	Depth D1 mm	Part no.
3	84	235	175/235	24563-142
3	84	295	175/235/295	24563-143
3	84	355	175/235/295	24563-144
3	84	415	175/235/295	24563-145
3	84	475	175/235/295	24563-146
6	84	235	175/235	24563-442
6	84	295	175/235/295	24563-443
6	84	355	175/235/295	24563-444
6	84	415	175/235/295	24563-445
6	84	475	175/235/295	24563-446

Accessories

19" assembly kit (screw, washer, nut) (8 x screws, 8 x plastic washers, 8 x cage nuts)	21100-435
--	-----------

Guide rails (standard), ESD clips

Depth D2 mm	Qty/PU piece	Part no.
160	10	24560-351
220	10	24560-353
280	10	24560-379
340	10	24560-380
ESD clip for guide rails PU 50 pieces		24560-255