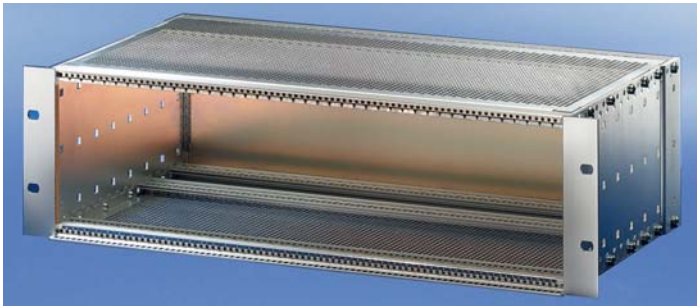


# Subracks - *europac* PRO

Kit, for CompactPCI, for backplane mounting, without rear I/O, shielded

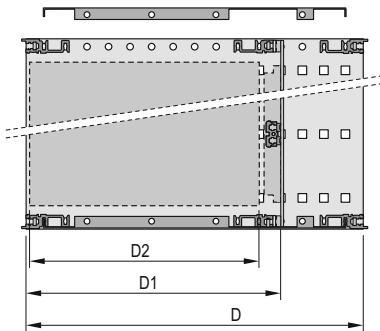
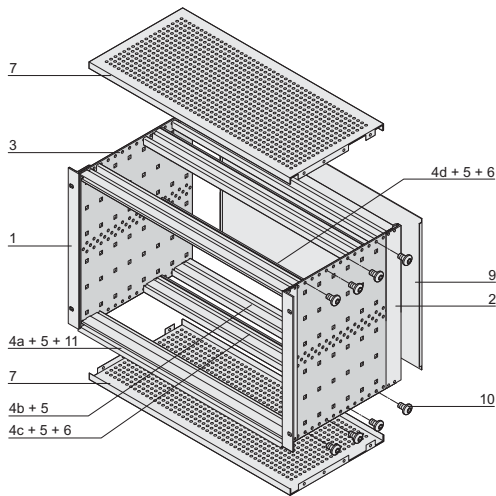


- Subrack with side panel type F ("flexible") for CompactPCI plug-in units with high insertion and withdrawal forces
- Rear horizontal rail for backplane mounting with insulation strip
- Shielding typically 40 dB at 1 GHz, 30 dB at 2 GHz, assuming that the front is covered with shielded front panels
- Installed load up to 11 kg

## Delivery comprises (kit)

Item	Qty		Description
	3 U	6 U	
1	2	2	19" support bracket for <b>EMC textile gasket</b>
2	2	2	Rear corner profile for <b>EMC textile gasket</b>
3	2	2	Side panel type F
4	1	-	Front horizontal rail (H-KD)
4 a	1	2	Front horizontal rail IEEE (H-LD)
4 b	2	2	Rear horizontal rail (L-KD)
4 c	2	2	Rear horizontal rail (H-ST), for backplane mounting with insulation strip
4 d	-	1	Centre horizontal rail (ST)
5	6	8	Threaded insert (pre-fitted)
6	2	4	Insulation strip (pre-fitted)
7	2	2	EMC cover plate
8	1	1	EMC gasketing material (pre-fitted)
9	1	1	Rear panel
10	1	1	Fixing material kit
11	2	2	Perforated strip (pre-fitted in item 4+4a)
12	1	1	User manual

6 U



D = overall depth, D1 = insertion depth,  
D2 = board depth = D1 - 15 mm



Rear horizontal rail for backplane mounting with insulation strip

## Order Information

Height	Width	Depth D	Depth D1	Part no.
U	HP	mm	mm	
3	84	235	175	24563-152
6	84	235	175	24563-452

## Accessories

<b>Guide rail with coding, red</b> 160 mm deep, PBT, UL 94 V-0, groove width 2 mm, PU 10 pieces	24560-356
<b>Guide rail with coding, grey</b> 160 mm deep, PBT, UL 94 V-0, groove width 2 mm, PU 10 pieces	24560-358
<b>Guide rail with coding, green, offset</b> 160 mm deep, PBT, UL 94 V-0, groove width 2 mm, PU 10 pieces	24560-359
<b>ESD clip for guide rails</b> PU 50 pieces	24560-255
<b>ESD clip for alignment pin of CPCI/VME64x handle</b> PU 50 pieces	24560-256
<b>Torx panhead screw</b> 2.5 x 9.3, zinc-plated, PU 100 pieces; torque max. 0.2 Nm	24560-141
<b>Coding peg</b> PC, UL 94 V-0, RAL 7035, PU 100 pieces	20817-501
<b>19" assembly kit (screw, washer, nut)</b> ( 8 x screws, 8 x plastic washers, 8 x cage nuts)	21100-435