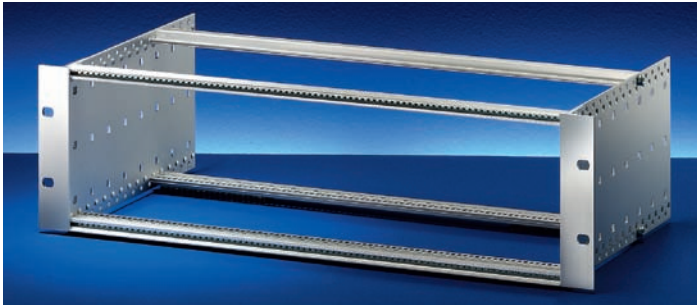


Subracks - *europac* PRO

Kit, "flexible", unshielded,
for backplane mounting



- Subrack with side panel type F ("flexible"), 19" bracket is depth-adjustable
- Rear horizontal rail for backplane mounting with insulation strip
- Installed load up to 11 kg

Delivery comprises (kit)

Item	Qty		Description
	3 U	6 U	
1	2	2	19" support bracket, Al extrusion, for EMC stainless steel gasket
2	2	2	Side panel type F, Al, 2 mm
3a	2	2	Front horizontal rail (L-KD)
3b	2	2	Rear horizontal rail (L-ST) for backplane mounting
3c	-	1	Rear horizontal rail centre (ST)
4	4	6	Threaded insert, front and rear (pre-fitted)
5	2	4	Insulation strip (pre-fitted)
6	1	1	Fixing material kit, user manual

Order Information

Height U	Width HP	Depth D mm	Depth D1 mm	Part no.
3	84	175	175	24563-131
3	84	235	175/235	24563-132
3	84	295	175/235/295	24563-133
3	84	355	175/235/295/355	24563-134
3	84	415	175/235/295/355	24563-135
3	84	475	175/235/295/355	24563-136
6	84	175	175	24563-431
6	84	235	175/235	24563-432
6	84	295	175/235/295	24563-433
6	84	355	175/235/295/355	24563-434
6	84	415	175/235/295/355	24563-435
6	84	475	175/235/295/355	24563-436

Accessories

19" assembly kit (screw, washer, nut) (8 x screws, 8 x plastic washers, 8 x cage nuts)	21100-435
---	-----------

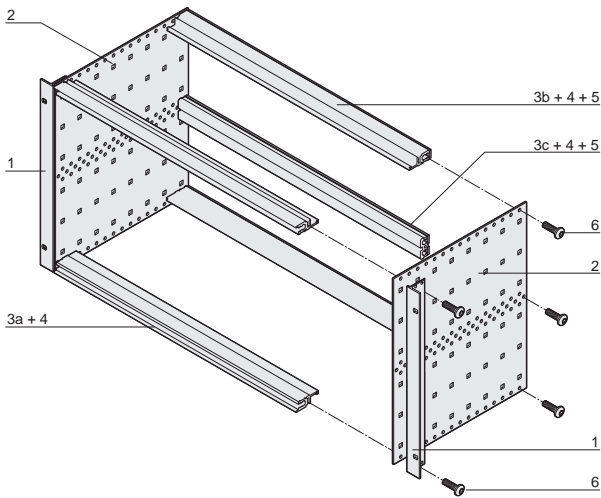
Guide rails (standard), ESD clips

Depth D2 mm	Qty/PU piece	Part no.
160	10	24560-351
220	10	24560-353
280	10	24560-379
340	10	24560-380

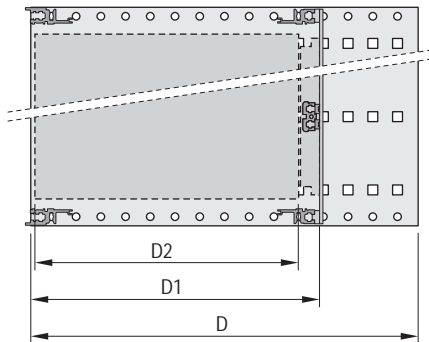
ESD clip for guide rails PU 50 pieces	24560-255
--	-----------

Cover plates for insertion in horizontal rails (type L)

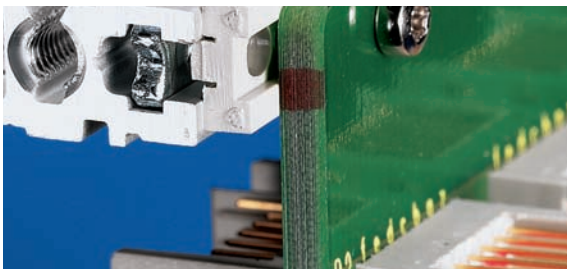
Depth D2 mm	Width HP	Qty/PU piece	Part no.
160	84	2	24561-051
220	84	2	24561-052



6 U



D = overall depth, D1 = insertion depth,
D2 = board depth = D1 - 15 mm



Rear horizontal rail for backplane mounting with insulation strip