

UM10878

PN7120 NFC Controller SBC Kit User Manual

Rev. 1.0 — 19 May 2015
318510

User manual
COMPANY PUBLIC

Document information

Info	Content
Keywords	OM5577, PN7120, Demo kit, Raspberry Pi, BeagleBone
Abstract	This document is the user manual of the PN7120 NFC Controller SBC kit



Revision history

Rev	Date	Description
1.0	20150519	First release

Contact information

For more information, please visit: <http://www.nxp.com>

1. Introduction

The present document describes the OM5577/PN7120S demonstration kit, a flexible and easy-to-use Single Board Computer (SBC) Kit for the PN7120 NFC Controller.

It contains a PN7120 NFC Controller Board, a Raspberry Pi Interface Board, a BeagleBone Interface Board, as well as an NFC Forum Type 2 Tag in form of a MIFARE UL Card. It enables the development of an NFC solution based on PN7120 in a Linux or Android environment.

PN7120 is a full NFC controller solution with integrated firmware and NCI interface designed for contactless communication at 13.56 MHz.

This document presents first an overview of the kit.

Then, it gives printed circuit boards details.

Finally, it provides information for reuse of the kit in different environments.

2. Overview

2.1 Kit description

OM5577/PN7120S kit is a high performance fully NFC compliant expansion board for both Raspberry Pi (refer to [1] for more details) and BeagleBone (refer to [2] for more details). It meets compliance with Reader mode, P2P mode and Card emulation mode standards. The board features an integrated high performance RF antenna to insure high interoperability level with NFC devices.

2.2 Kit content

The kit is composed of 3 printed circuit boards and a MIFARE Ultralight EV1 card.



Fig 1. PN7120NFC Controller SBC Kit content

2.2.1 PN7120 NFC Controller Board

The PN7120 NFC Controller Board is the main board of the demonstration kit. It embeds the PN7120 and all related circuitry.

It also include an on-board RF antenna with related matching circuitry.

This main board has to be used in association with one of the 2 interface boards depending of the target user environment (Raspberry Pi or BeagleBone).

For this purpose it integrates dedicated connectors allowing boards assembly.

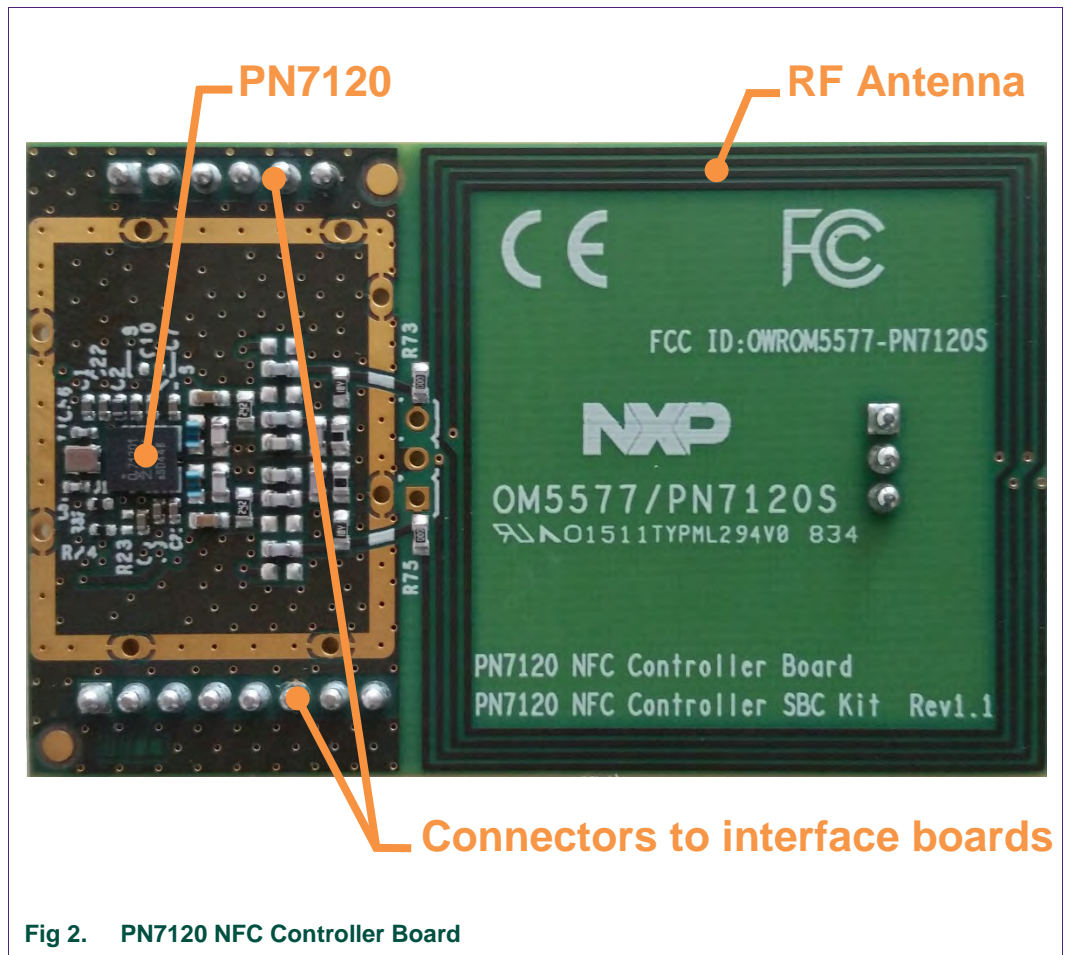


Fig 2. PN7120 NFC Controller Board

2.2.2 BeagleBone Interface Board

The BeagleBone Interface Board offers support for connection to BeagleBone board (refer to [2] for more details).

As such it integrate the connectors allowing the PN7120 NFC Controller Board to be plugged on it, as well as connectors to be assembled on top of the BeagleBone board.

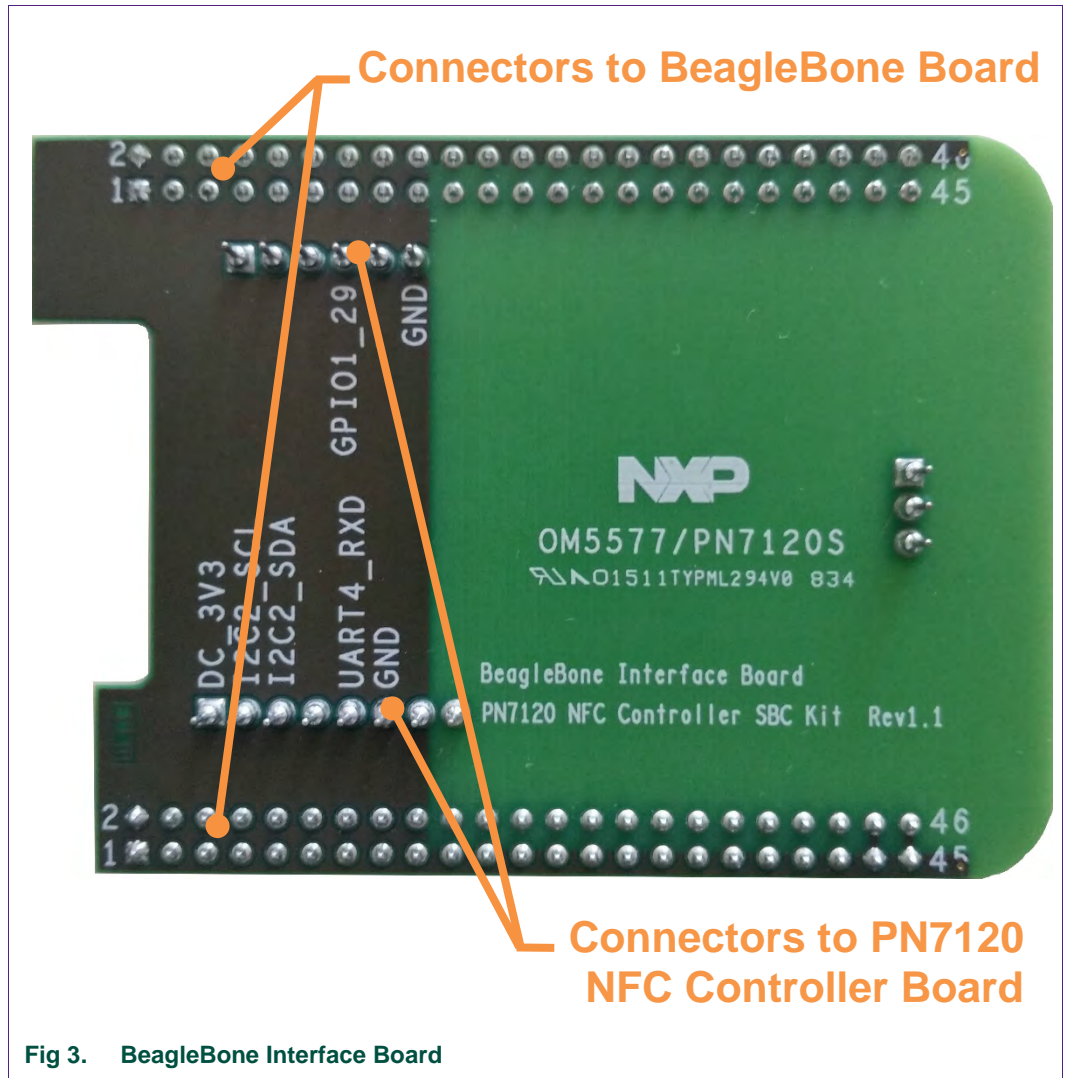


Fig 3. BeagleBone Interface Board

2.2.3 Raspberry Pi Interface board

The Raspberry Pi Interface board offers support for connection to Raspberry Pi board (refer to [1] for more details).

As such it integrate the connectors allowing the PN7120 NFC Controller Board to be plugged on it, as well as connector to be assembled on top of the Raspberry Pi board.

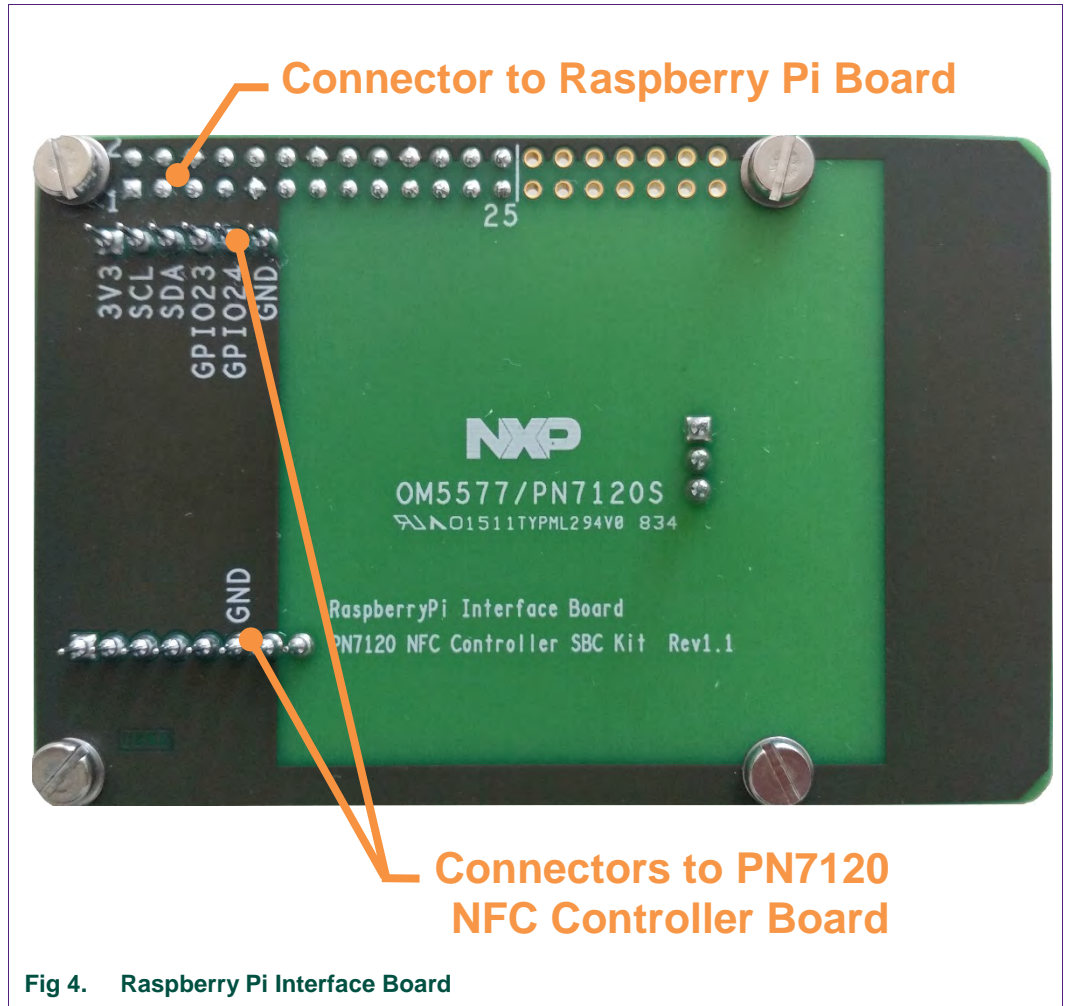


Fig 4. Raspberry Pi Interface Board

2.2.4 MIFARE Ultralight EV1 card

OM5577/PN7120S kit includes a MIFARE Ultralight EV1 card allowing to demonstrate NFC reader capabilities of PN7120 NFC Controller.

MIFARE Ultralight EV1 is the next generation of paper ticketing smart card IC for limited-use applications that offers solution developers and operators the maximum flexibility for their ticketing schemes and additional security options.

For the current purpose of PN7120 NFC Controller demonstration, the card has been set as NFC Forum Type 2 Tag, and pre-configured with NDEF URI type message "<http://www.nxp.com/demoboard/OM5577>".



Fig 5. MIFARE Ultralight EV1 card

3. Details

3.1 PN7120 NFC Controller Board

3.1.1 Schematics

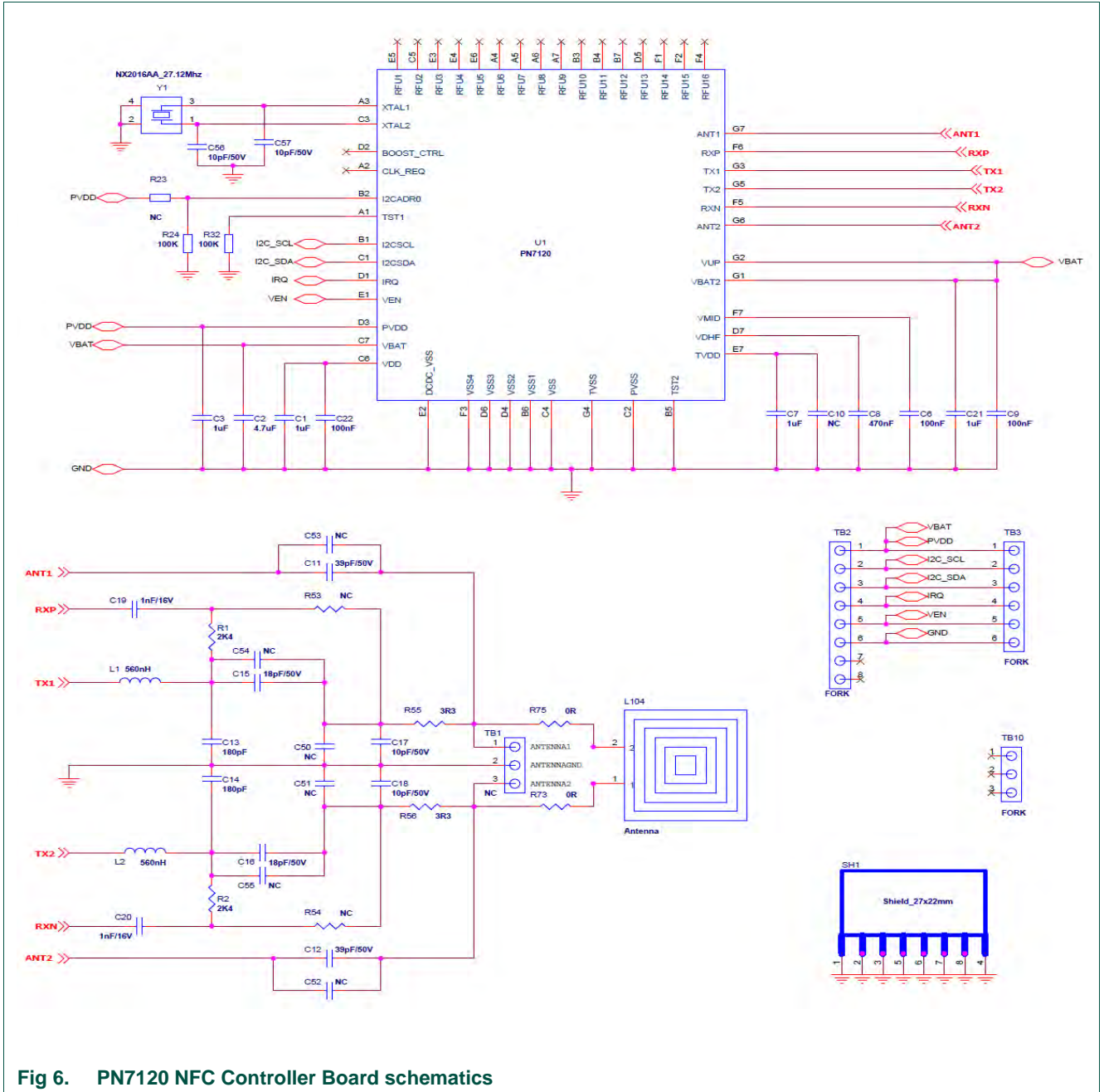


Fig 6. PN7120 NFC Controller Board schematics

3.1.2 Layout

3.1.2.1 Components layers

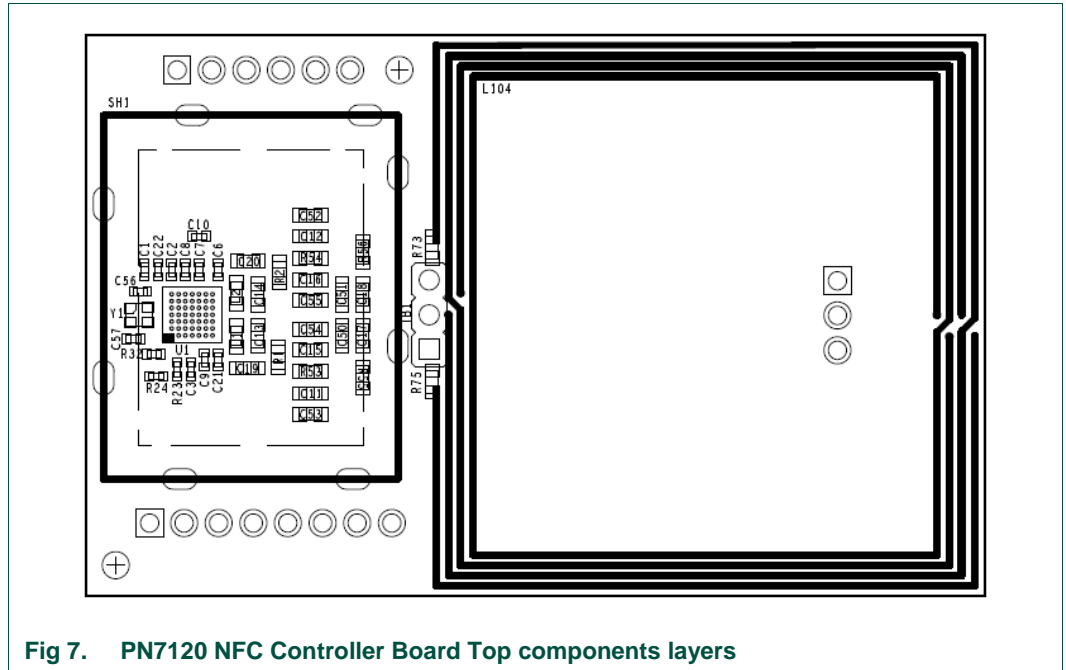


Fig 7. PN7120 NFC Controller Board Top components layers

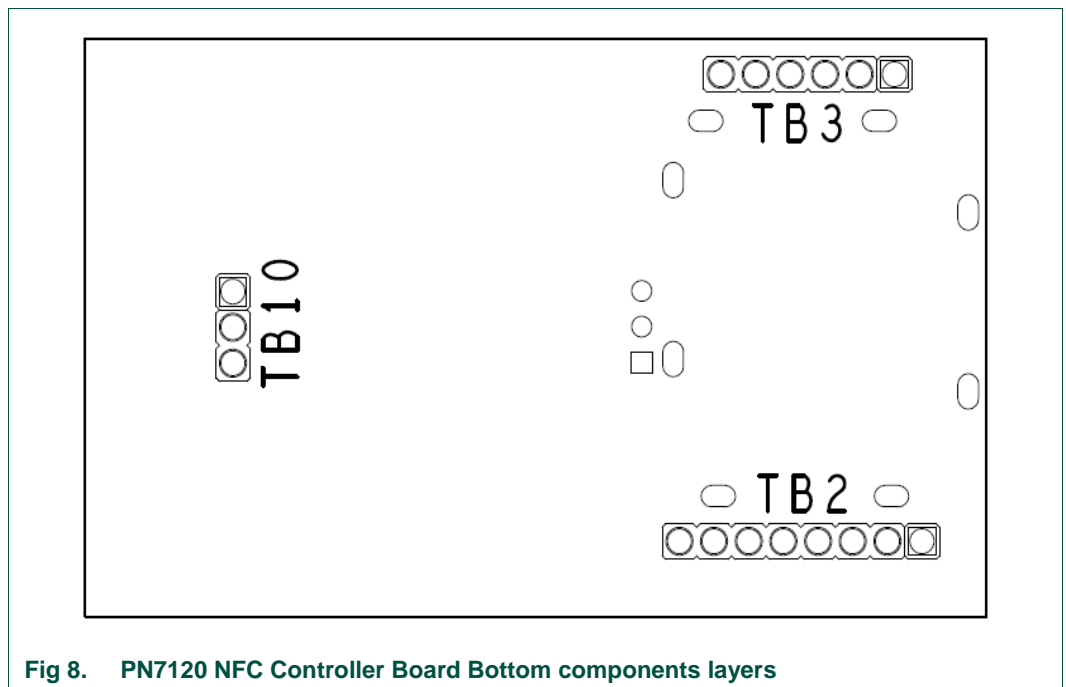
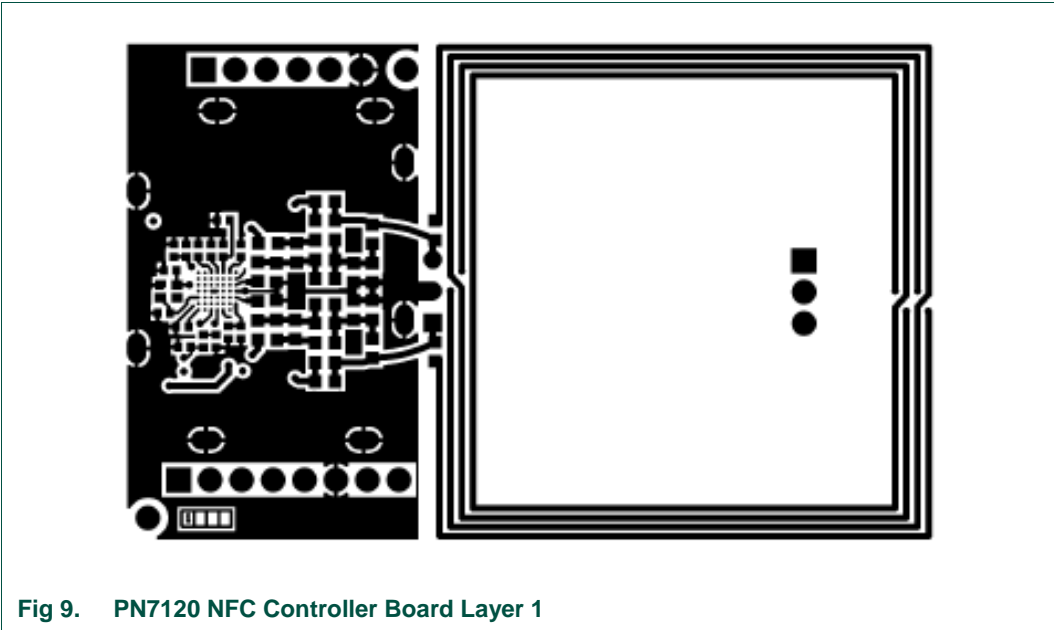
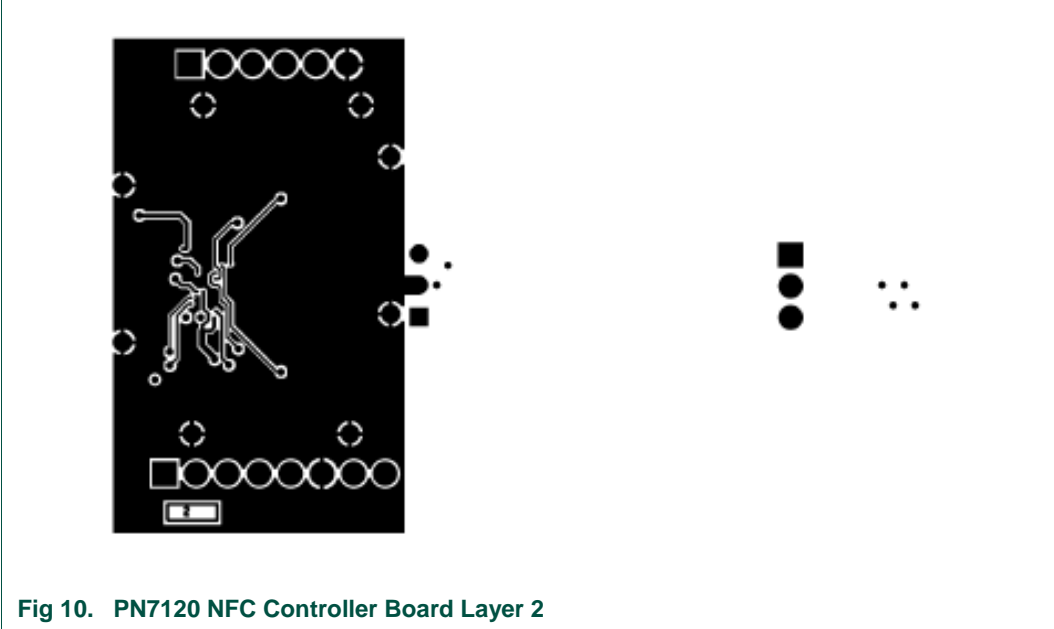


Fig 8. PN7120 NFC Controller Board Bottom components layers

3.1.2.2 Layer 1



3.1.2.3 Layer 2



3.1.2.4 Top Silkscreen layer

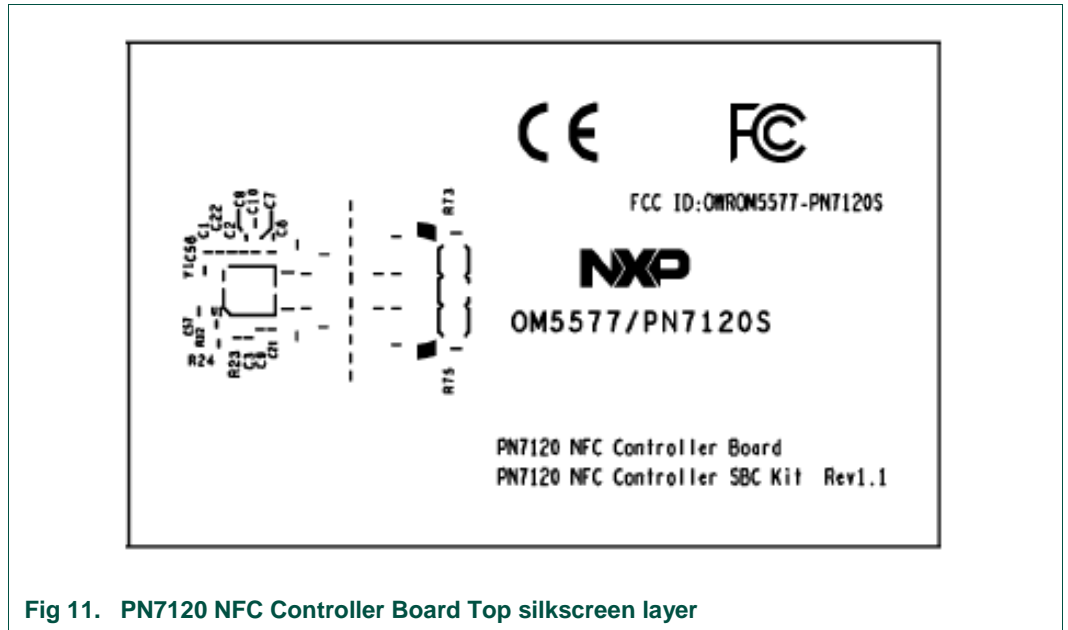


Fig 11. PN7120 NFC Controller Board Top silkscreen layer

3.2 BeagleBone Interface Board

3.2.1 Schematics

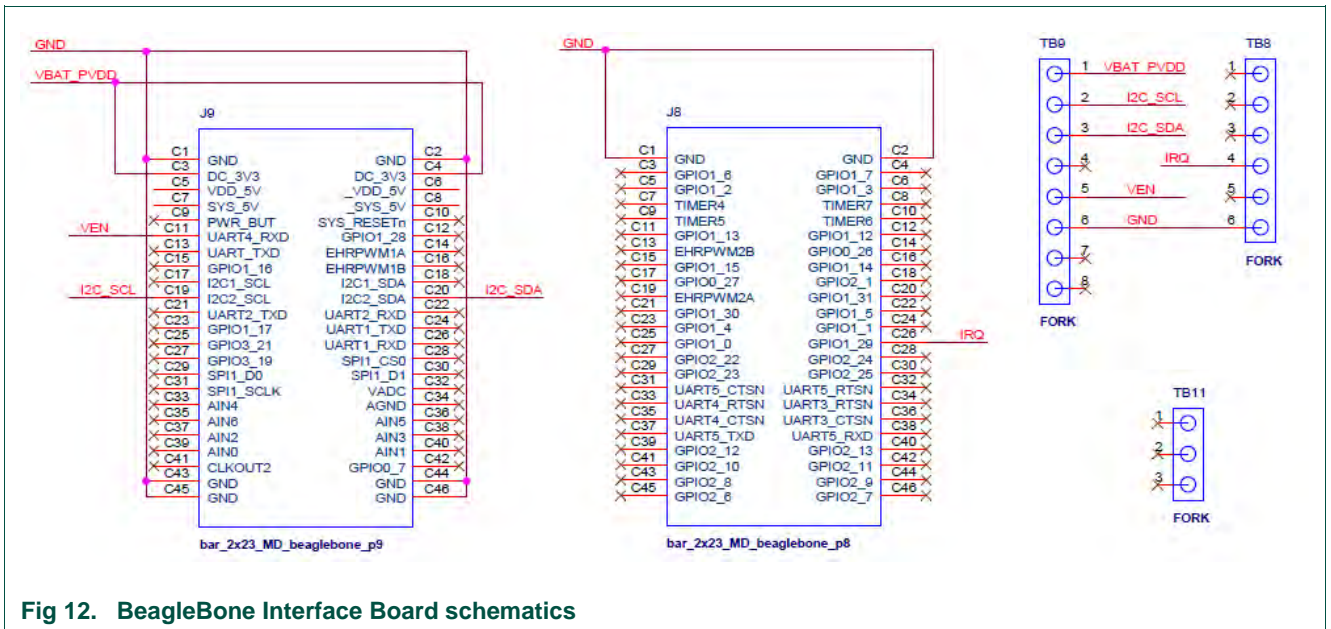


Fig 12. BeagleBone Interface Board schematics

3.2.2 Layout

3.2.2.1 Components layers

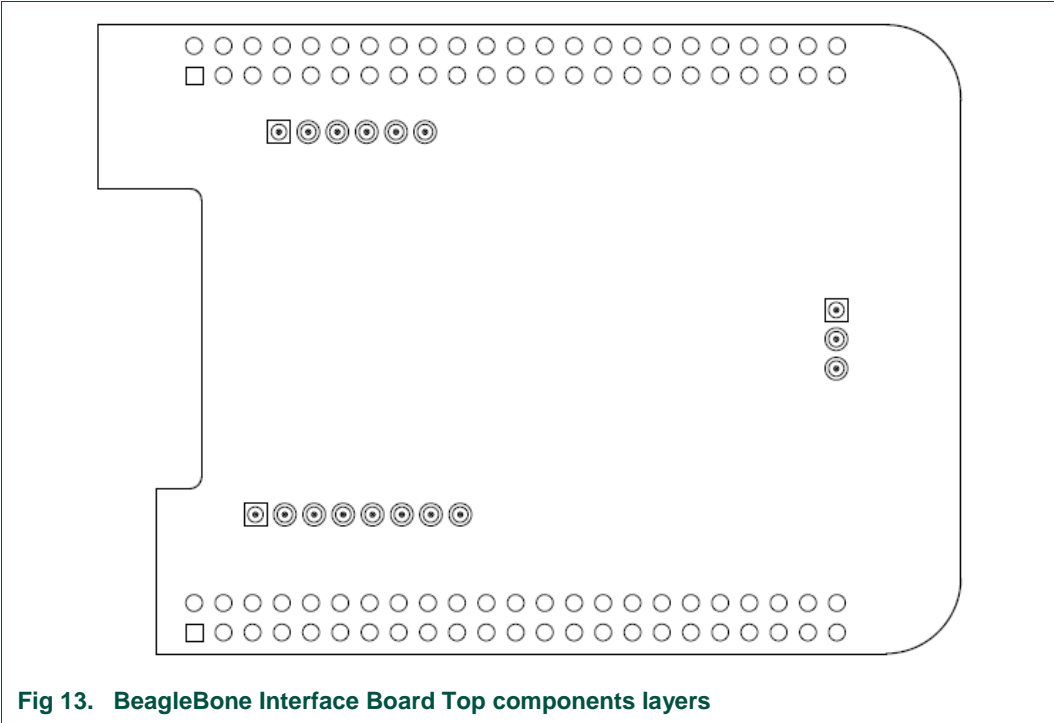


Fig 13. BeagleBone Interface Board Top components layers

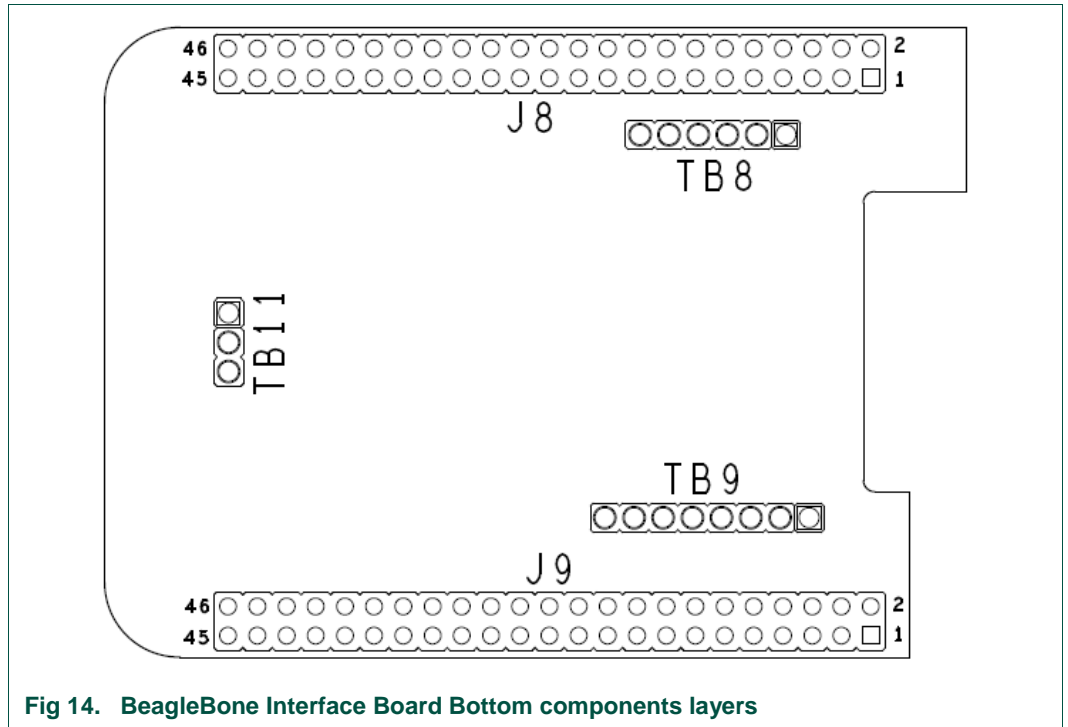


Fig 14. BeagleBone Interface Board Bottom components layers

3.2.2.2 Layers 1 & 2

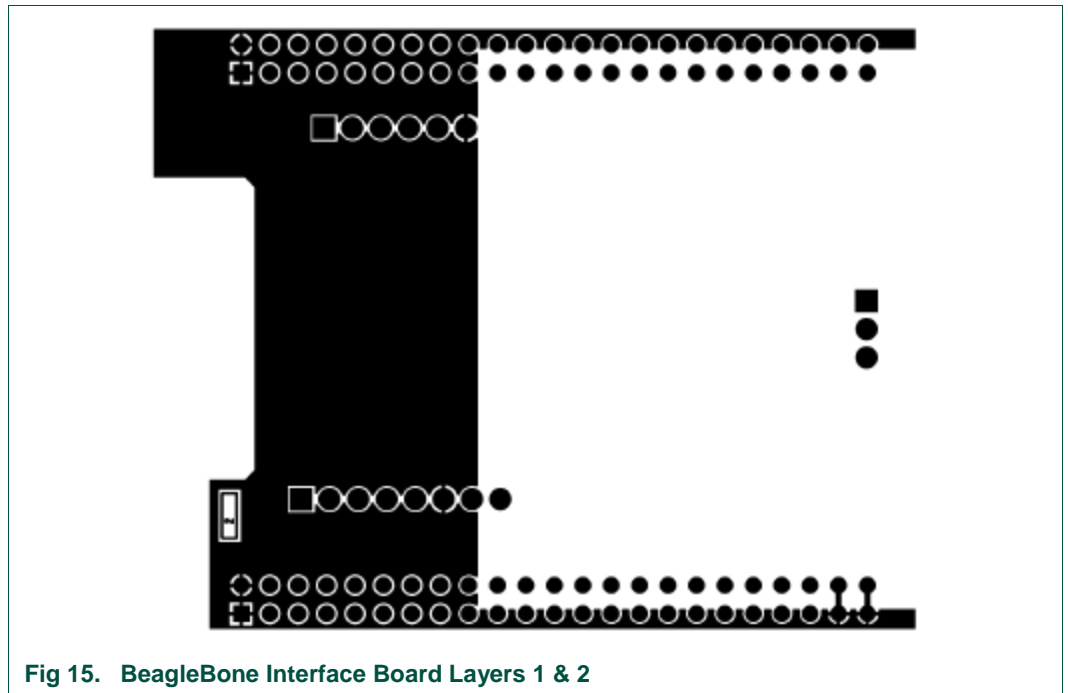


Fig 15. BeagleBone Interface Board Layers 1 & 2

3.2.2.3 Layer 3

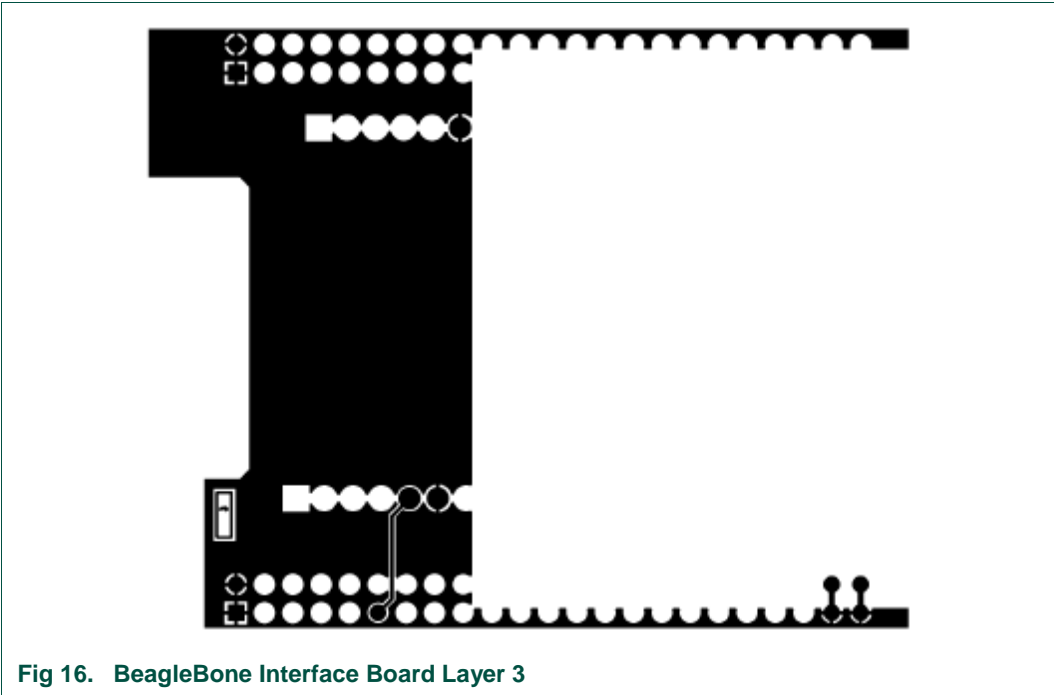


Fig 16. BeagleBone Interface Board Layer 3

3.2.2.4 Layer 4

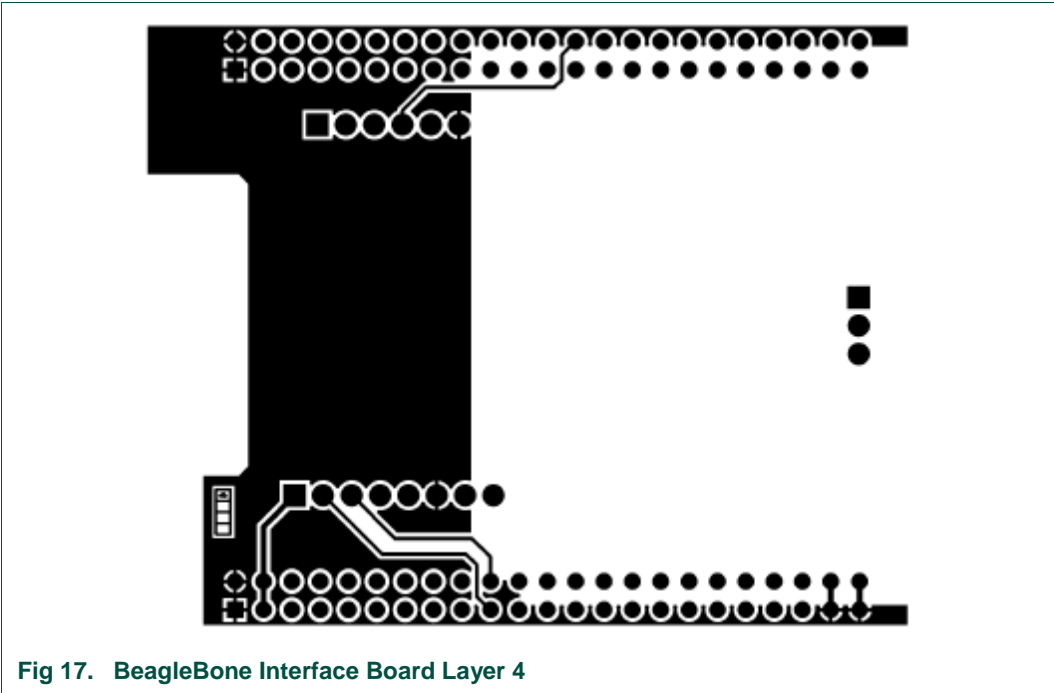


Fig 17. BeagleBone Interface Board Layer 4

3.2.2.5 Top Silkscreen layer

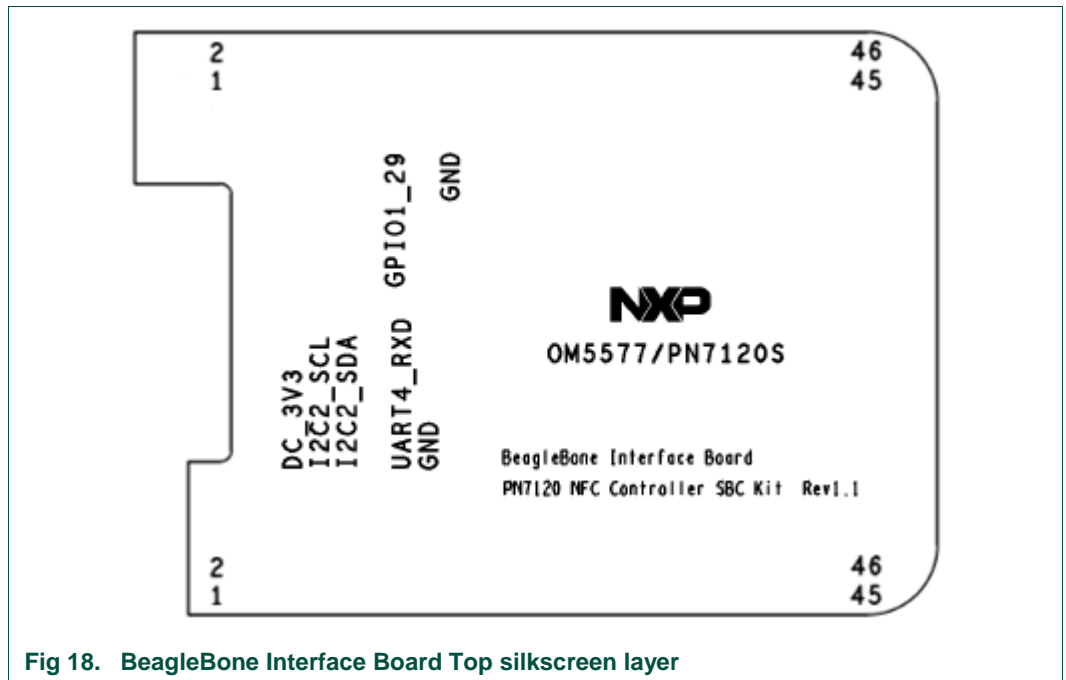


Fig 18. BeagleBone Interface Board Top silkscreen layer

3.3 Raspberry Pi Interface Board

3.3.1 Schematics

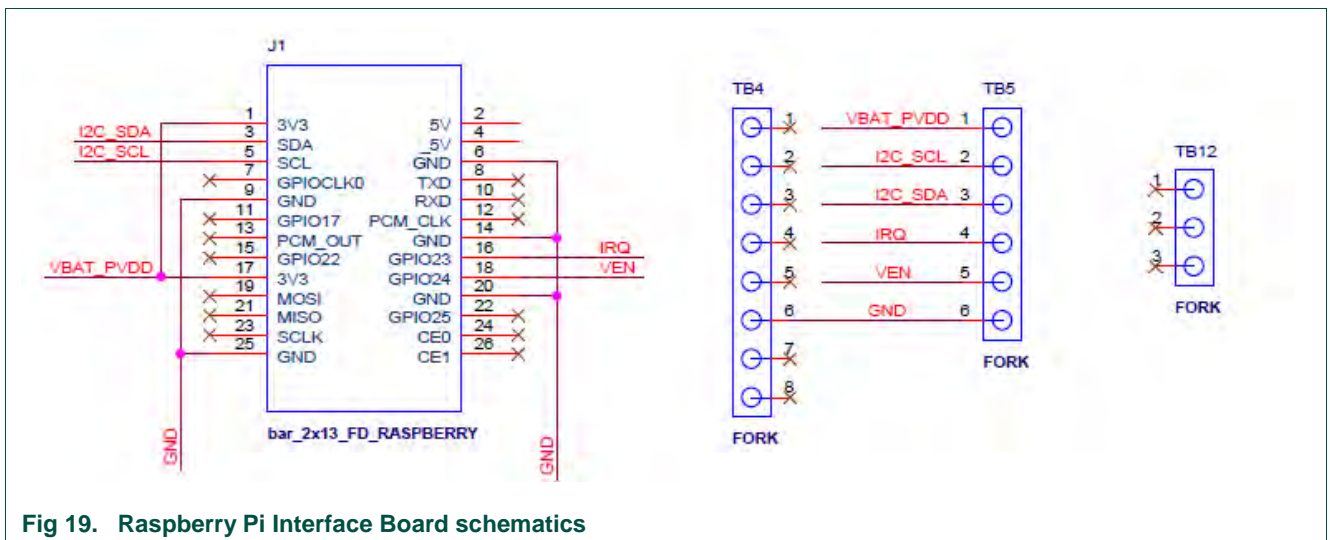


Fig 19. Raspberry Pi Interface Board schematics

3.3.2 Layout

3.3.2.1 Components layers

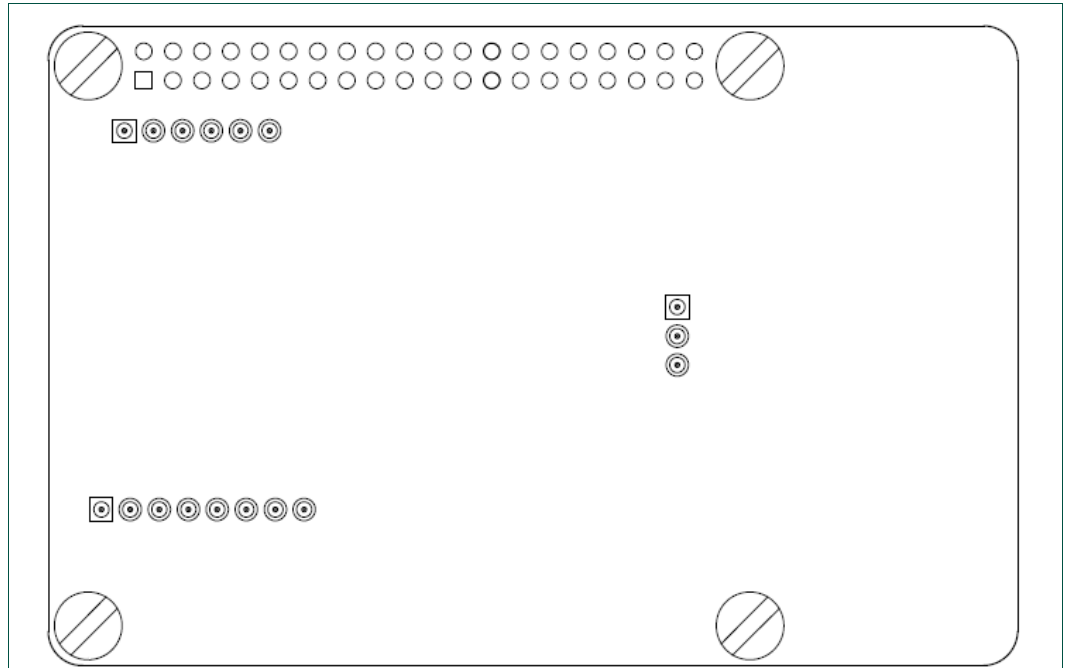


Fig 20. Raspberry Pi Interface Board Top components layers

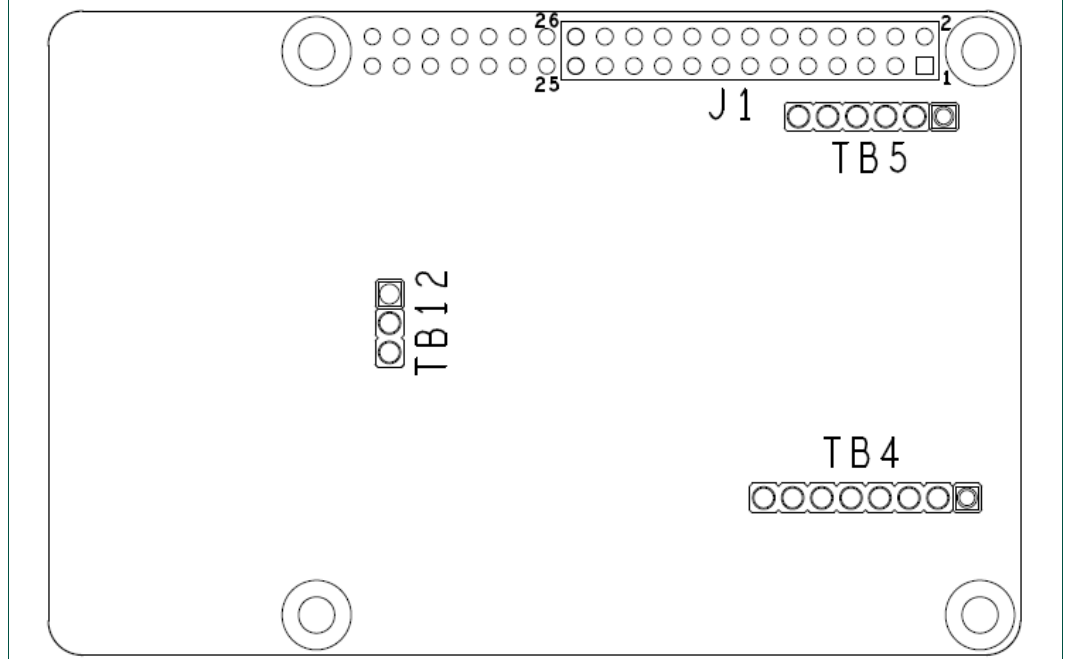
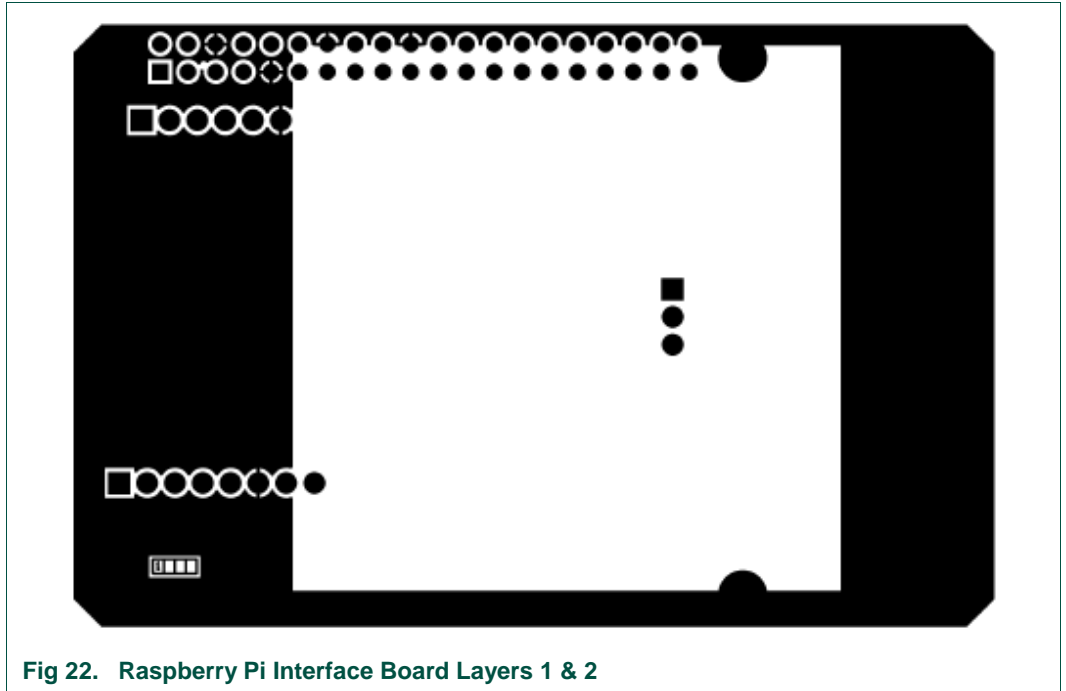
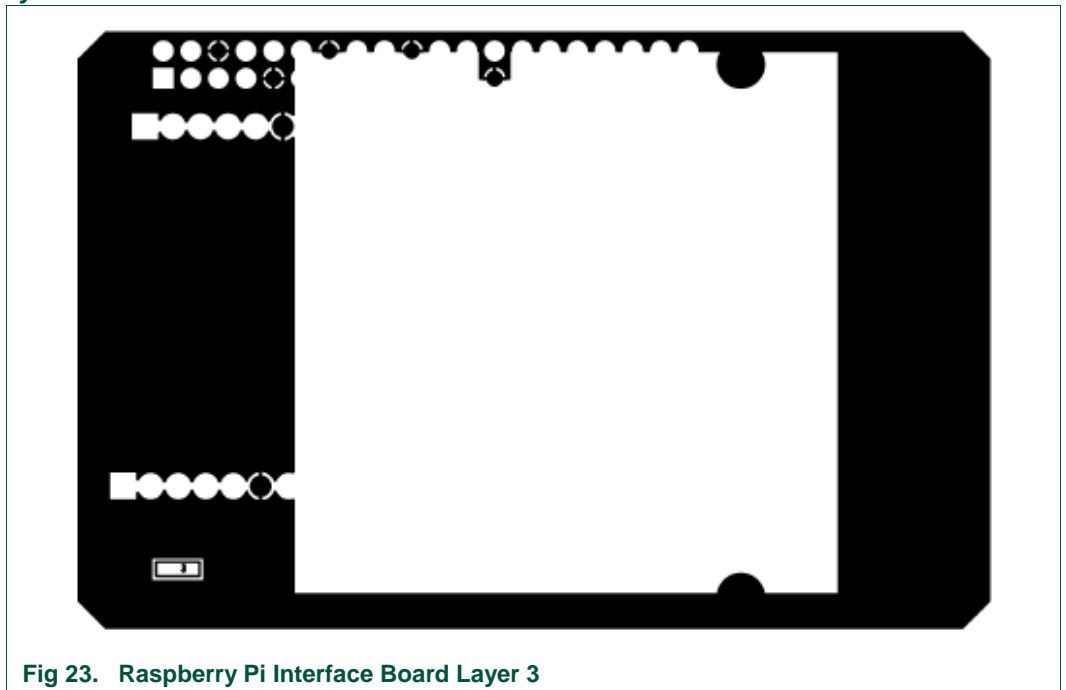


Fig 21. Raspberry Pi Interface Board Bottom components layers

3.3.2.2 Layers 1 & 2



3.3.2.3 Layer 3



3.3.2.4 Layer 4

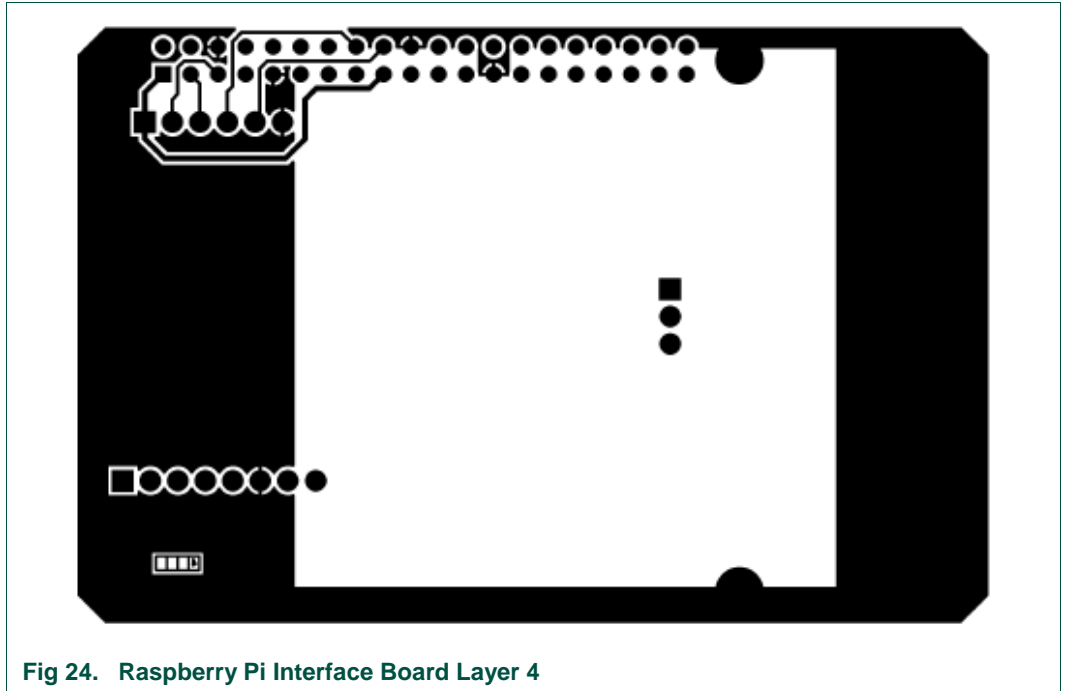


Fig 24. Raspberry Pi Interface Board Layer 4

3.3.2.5 Top Silkscreen layer

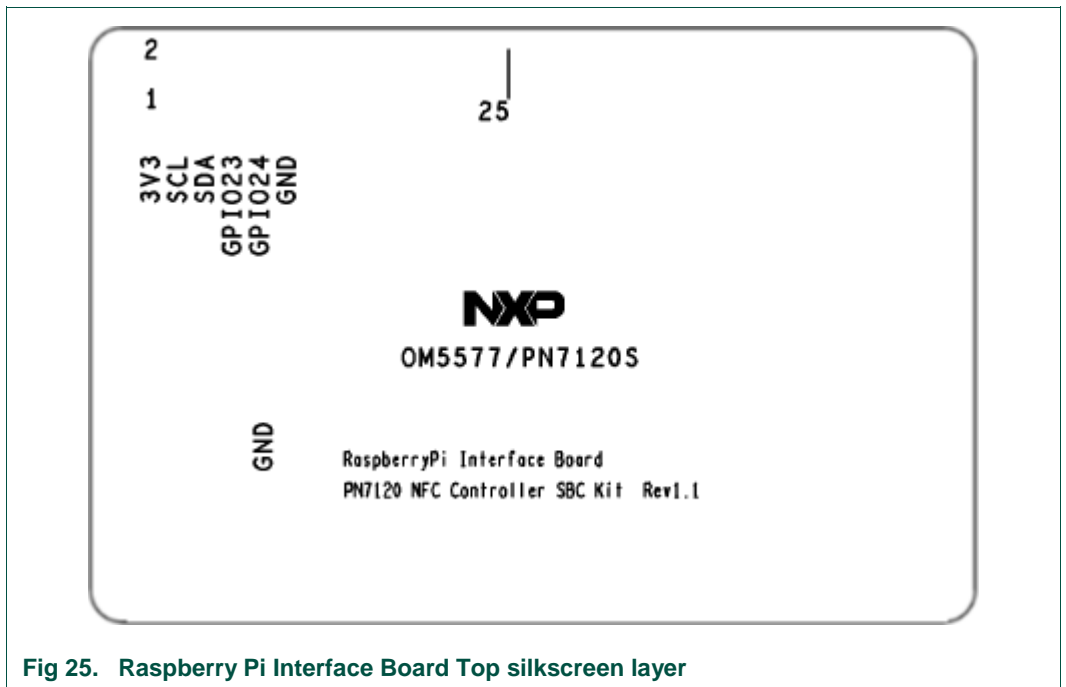


Fig 25. Raspberry Pi Interface Board Top silkscreen layer

4. Additional information

4.1 Using different Antenna

The OM5577/PN7120S kit provide a flexible way of connecting an external RF antenna to be used in place of the on-board one.

On the PN7120 NFC Controller Board, the dedicated 3 pins connector referenced as TB1 allows to connect your own antenna.

In this case the on-board antenna must be first disconnected, removing resistors R75 and R73.

Obviously matching circuitry must be adapted as described in related document “AN11564 - PN7120 Antenna and Tuning Design Guide” (can be downloaded from PN7120 Product Web Page [3]).

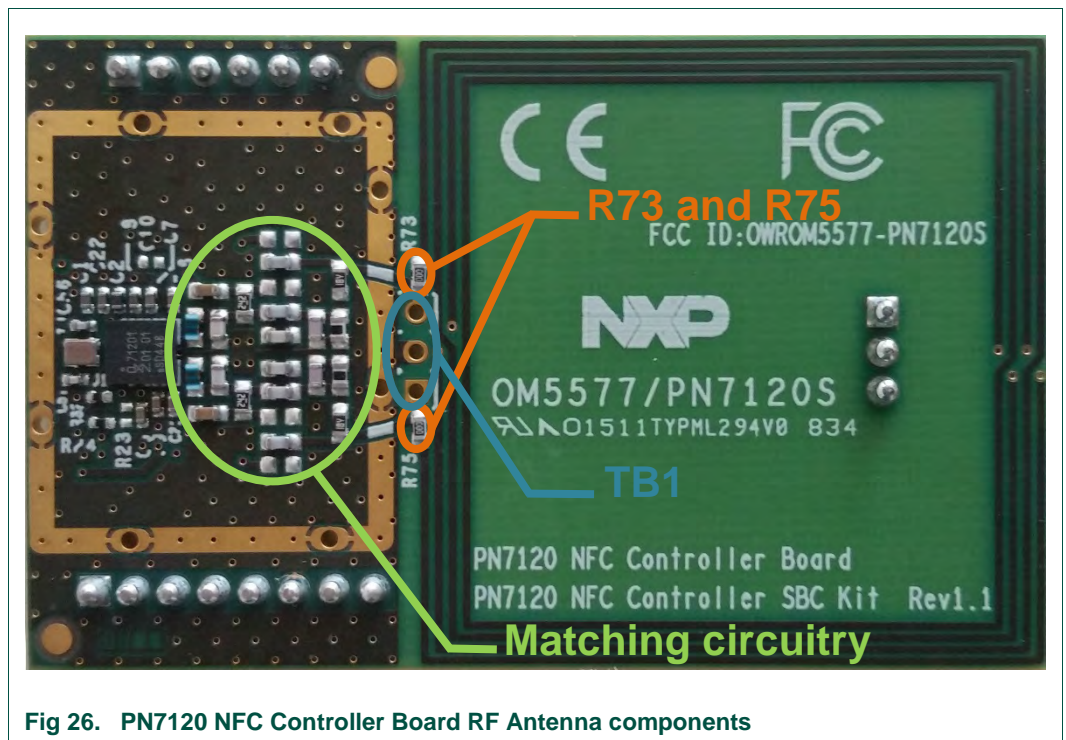


Fig 26. PN7120 NFC Controller Board RF Antenna components

Table 1. PN7120 NFC Controller Board TB1 connector pinout

TB1	PN7120 signal
#1	ANTENNA 1
#2	GND
#3	ANTENNA 2

4.2 Using in another system

The OM5577/PN7120S demonstration kit can be reuse in another system than Raspberry Pi or BeagleBone.

Indeed, the PN7120 NFC Controller Board provides all required signal on TB2 and TB3 (signals are duplicated on both connectors) connectors to interface boards.

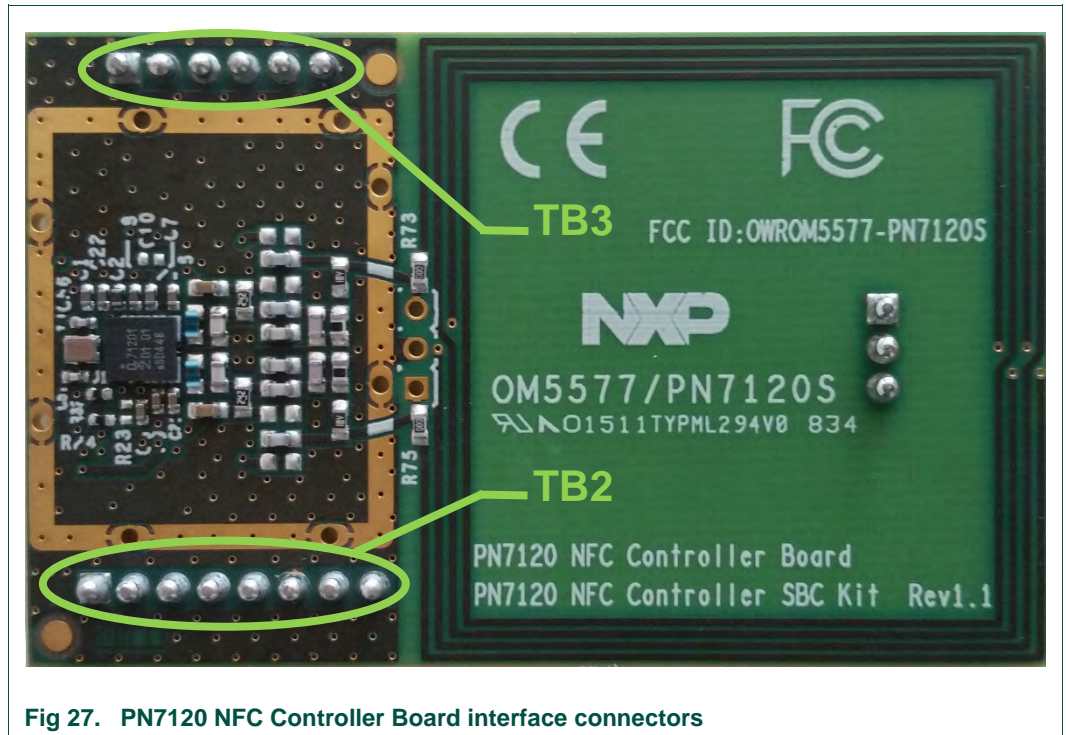


Fig 27. PN7120 NFC Controller Board interface connectors

Table 2. PN7120 NFC Controller Board TB2 connector pinout

TB2	PN7120 signal
#1	VBAT/VDD(PAD): 3.3V supply voltage
#2	I2CSCL: I2C-bus serial clock input
#3	I2CSDA: I2C-bus serial data
#4	IRQ: interrupt request output
#5	VEN: reset pin
#6	GND: ground
#7	Not connected
#8	Not connected

Table 3. PN7120 NFC Controller Board TB3 connector pinout

TB3	PN7120 signal
#1	VBAT/VDD(PAD): 3.3V supply voltage
#2	I2CSCL: I2C-bus serial clock input
#3	I2CSDA: I2C-bus serial data
#4	IRQ: interrupt request output
#5	VEN: reset pin
#6	GND: ground

5. References

- [1] The Raspberry Pi is a credit card sized computer. The initial idea behind it was to develop a small and cheap computer to be used by kids all over the world to learn programming. In the end it became very popular among developers all over the world.

The heart of the Raspberry Pi is a SoC (System on Chip). This contains an ARM11 running at 700 MHz and a graphics processor that is capable of BluRay quality playback, using H.264 at 40MBits/s. It has a fast 3D core accessed using the supplied OpenGL ES2.0 and Open VG libraries. In addition, the Model B has 512MB RAM included in its SoC.

To get started quickly, the Raspberry Pi Foundation provides several preconfigured Linux distributions.

For more information about it please visit <http://www.raspberrypi.org/>

- [2] BeagleBone is a low-power open-source hardware single-board credit-card-sized Linux computer that connects to the Internet and runs software such as Android and Ubuntu. With plenty of I/O and processing power for real-time analysis provided by a 720MHz ARM® processor based SoC (System on Chip), BeagleBone can be complemented with cape plug-in boards to augment functionality.

For more information about it please visit <http://www.beagleboard.org/bone>.

- [3] PN7120 Product Web Page:
http://www.nxp.com/products/identification_and_security/nfc_and_reader_ics/nfc_controller_solutions/PN7120A0EV.html

6. Legal information

6.1 Definitions

Draft — The document is a draft version only. The content is still under internal review and subject to formal approval, which may result in modifications or additions. NXP Semiconductors does not give any representations or warranties as to the accuracy or completeness of information included herein and shall have no liability for the consequences of use of such information.

6.2 Disclaimers

Limited warranty and liability — Information in this document is believed to be accurate and reliable. However, NXP Semiconductors does not give any representations or warranties, expressed or implied, as to the accuracy or completeness of such information and shall have no liability for the consequences of use of such information. NXP Semiconductors takes no responsibility for the content in this document if provided by an information source outside of NXP Semiconductors.

In no event shall NXP Semiconductors be liable for any indirect, incidental, punitive, special or consequential damages (including - without limitation - lost profits, lost savings, business interruption, costs related to the removal or replacement of any products or rework charges) whether or not such damages are based on tort (including negligence), warranty, breach of contract or any other legal theory.

Notwithstanding any damages that customer might incur for any reason whatsoever, NXP Semiconductors' aggregate and cumulative liability towards customer for the products described herein shall be limited in accordance with the *Terms and conditions of commercial sale* of NXP Semiconductors.

Right to make changes — NXP Semiconductors reserves the right to make changes to information published in this document, including without limitation specifications and product descriptions, at any time and without notice. This document supersedes and replaces all information supplied prior to the publication hereof.

Suitability for use — NXP Semiconductors products are not designed, authorized or warranted to be suitable for use in life support, life-critical or safety-critical systems or equipment, nor in applications where failure or malfunction of an NXP Semiconductors product can reasonably be expected to result in personal injury, death or severe property or environmental damage. NXP Semiconductors and its suppliers accept no liability for inclusion and/or use of NXP Semiconductors products in such equipment or applications and therefore such inclusion and/or use is at the customer's own risk.

Applications — Applications that are described herein for any of these products are for illustrative purposes only. NXP Semiconductors makes no representation or warranty that such applications will be suitable for the specified use without further testing or modification.

Customers are responsible for the design and operation of their applications and products using NXP Semiconductors products, and NXP Semiconductors accepts no liability for any assistance with applications or customer product design. It is customer's sole responsibility to determine whether the NXP Semiconductors product is suitable and fit for the customer's applications and products planned, as well as for the planned application and use of customer's third party customer(s). Customers should provide appropriate design and operating safeguards to minimize the risks associated with their applications and products.

NXP Semiconductors does not accept any liability related to any default, damage, costs or problem which is based on any weakness or default in the customer's applications or products, or the application or use by customer's third party customer(s). Customer is responsible for doing all necessary testing for the customer's applications and products using NXP Semiconductors products in order to avoid a default of the applications and the products or of the application or use by customer's third party customer(s). NXP does not accept any liability in this respect.

Export control — This document as well as the item(s) described herein may be subject to export control regulations. Export might require a prior authorization from competent authorities.

Translations — A non-English (translated) version of a document is for reference only. The English version shall prevail in case of any discrepancy between the translated and English versions.

Evaluation products — This product is provided on an "as is" and "with all faults" basis for evaluation purposes only. NXP Semiconductors, its affiliates and their suppliers expressly disclaim all warranties, whether express, implied or statutory, including but not limited to the implied warranties of non-infringement, merchantability and fitness for a particular purpose. The entire risk as to the quality, or arising out of the use or performance, of this product remains with customer.

In no event shall NXP Semiconductors, its affiliates or their suppliers be liable to customer for any special, indirect, consequential, punitive or incidental damages (including without limitation damages for loss of business, business interruption, loss of use, loss of data or information, and the like) arising out of the use of or inability to use the product, whether or not based on tort (including negligence), strict liability, breach of contract, breach of warranty or any other theory, even if advised of the possibility of such damages.

Notwithstanding any damages that customer might incur for any reason whatsoever (including without limitation, all damages referenced above and all direct or general damages), the entire liability of NXP Semiconductors, its affiliates and their suppliers and customer's exclusive remedy for all of the foregoing shall be limited to actual damages incurred by customer based on reasonable reliance up to the greater of the amount actually paid by customer for the product or five dollars (US\$5.00). The foregoing limitations, exclusions and disclaimers shall apply to the maximum extent permitted by applicable law, even if any remedy fails of its essential purpose.

6.3 Licenses

Purchase of NXP ICs with NFC technology

Purchase of an NXP Semiconductors IC that complies with one of the Near Field Communication (NFC) standards ISO/IEC 18092 and ISO/IEC 21481 does not convey an implied license under any patent right infringed by implementation of any of those standards.

6.4 Trademarks

Notice: All referenced brands, product names, service names and trademarks are property of their respective owners.

MIFARE — is a trademark of NXP Semiconductors N.V.

7. Contents

1.	Introduction	3	6.	Legal information	24
2.	Overview	4	6.1	Definitions.....	24
2.1	Kit description.....	4	6.2	Disclaimers.....	24
2.2	Kit content	4	6.3	Licenses	24
2.2.1	PN7120 NFC Controller Board.....	5	6.4	Trademarks	24
2.2.2	BeagleBone Interface Board	7	7.	Contents	25
2.2.3	Raspberry Pi Interface board	8			
2.2.4	MIFARE Ultralight EV1 card.....	9			
3.	Details	10			
3.1	PN7120 NFC Controller Board.....	10			
3.1.1	Schematics.....	10			
3.1.2	Layout	11			
3.1.2.1	Components layers	11			
3.1.2.2	Layer 1	12			
3.1.2.3	Layer 2	12			
3.1.2.4	Top Silkscreen layer.....	13			
3.2	BeagleBone Interface Board	13			
3.2.1	Schematics.....	13			
3.2.2	Layout	14			
3.2.2.1	Components layers	14			
3.2.2.2	Layers 1 & 2.....	15			
3.2.2.3	Layer 3	16			
3.2.2.4	Layer 4	16			
3.2.2.5	Top Silkscreen layer.....	17			
3.3	Raspberry Pi Interface Board.....	17			
3.3.1	Schematics.....	17			
3.3.2	Layout	18			
3.3.2.1	Components layers	18			
3.3.2.2	Layers 1 & 2.....	19			
3.3.2.3	Layer 3	19			
3.3.2.4	Layer 4	20			
3.3.2.5	Top Silkscreen layer.....	20			
4.	Additional information	21			
4.1	Using different Antenna.....	21			
4.2	Using in another system.....	22			
5.	References	23			

Please be aware that important notices concerning this document and the product(s) described herein, have been included in the section 'Legal information'.