

High Output Pendant Ball Loudspeaker

High efficiency pendant ball loudspeaker, featuring 360° dispersion with high output suitable for installation into industrial and commercial premises with high ceilings including supermarkets, warehouses and play centres. Offering full range audio delivered utilising a horn loaded, dual cone driver the PDS 660 is ideally suited for general music and speech reinforcement.

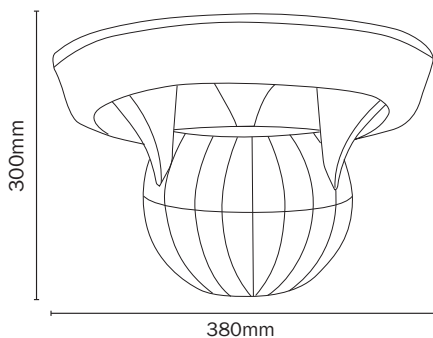
- Internal 100V/70V transformer
- 360° sound wide dispersion
- Dual cone driver for wide frequency response
- Multiple power taps
- ABS enclosure
- Supplied with suspension wires



PDS 660

100V
line

60W



Specifications	
Input:	100V, 70V
Power taps @ 100V:	7.5W, 10W, 15W, 20W, 30W, 60W
Power taps @ 70V:	3.75W, 5W, 7.5W, 10W, 15W, 30W
Impedance:	1.3K Ω , 1K Ω , 670 Ω , 500 Ω , 330 Ω , 165 Ω
Sensitivity (1W/1m):	102dB
Maximum SPL (Rated W/1m):	120dB
Frequency response:	100Hz-10kHz
Drivers:	6" dual cone, full range
Connections:	Flying leads
Dimensions:	300 x 380mm \varnothing
Weight:	3.4kg
Order code:	CRSP51

Supplied with suspension wires

