

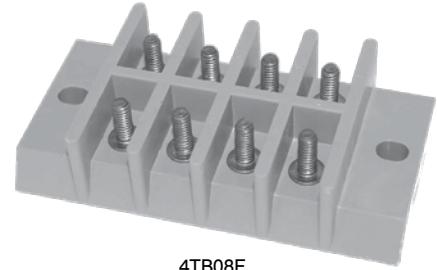
Kulka® Navy Class

(A-A-59125) / (MIL-T-55164)

Notes:

Molded material is MAI-60 in accordance with MIL-M-14 (*Molded material is GDI30F).

The stud connector for these terminal boards is considered part of the stud and is required, unless otherwise specified. With the stud connector removed, the terminal board will provide twice the number of connection points and allow for an additional wire per terminal.



4TB08F

Nuts and connectors are provided when appropriate. They are unplated brass and shipped unassembled.

A-A-59125/ MIL-T-55164 Information		Terminal Type Description	Voltage		Current Max Rated	Wire & Lug Information				
Class	Spec #		Max Rated	Dielectric with Test		Screw Size	RECMD Max Wire Size	MS17143 Lug #	Max Lug Width	RECMD Torque Lb-In (N-M)
3 TB	/ 9	Single Stud Single Row	600 V RMS	2000 V RMS	45 Amp 60 Hz	#8	#10 AWG	-3	0.395" [10.0]	16-18 [1.8-2.0]
4 TB	/ 10	Single Stud Double Row	600 V RMS	2200 V RMS	40 Amp 60 Hz	#8	#12 AWG	-3	0.395" [10.0]	16-18 [1.8-2.0]
5 TB	/ 11	Feed Thru Stud Single Row	600 V RMS	2200 V RMS	50 Amp 60 Hz	#8	#10 AWG	-3	0.395" [10.0]	16-18 [1.8-2.0]
6 TB	/ 12	Single Stud Double Row	600 V RMS	2200 V RMS	30 Amp 60 Hz	#6	#14 AWG	-5	0.307" [7.8]	10-12 [1.1-1.4]
7 TB	/ 13	Feed Thru Stud Single Row	600 V RMS	2200 V RMS	40 Amp 60 Hz	#6	#12 AWG	-6	0.307" [7.8]	10-12 [1.1-1.4]
8 TB 8 TBHT*	/ 14	Double Stud Double Row	300 V RMS	1500 V RMS	30 Amp 60 Hz	#5	#14 AWG	-11	0.282" [7.2]	8-10 [0.9-1.1]
9 TB	/ 15	Single Stud Single Row	300 V RMS	1500 V RMS	35 Amp 60 Hz	#6	#12 AWG	—	0.307" [7.8]	10-12 [1.1-1.4]
10 TB	/ 16	Single Stud Double Row	600 V RMS	2200 V RMS	30 Amp 60 Hz	#6	#14 AWG	—	0.242" [6.11]	10-12 [1.1-1.4]
11 TB	/ 17	Feed Thru Stud Single Row	600 V RMS	2200 V RMS	40 Amp 60 Hz	#6	#12 AWG	-15	0.242" [6.1]	10-12 [1.1-1.4]
15 TB	/ 19	Single Stud Double Row	600 V RMS	2200 V RMS	30 Amp 60 Hz	#8	#14 AWG	-8	0.307" [7.8]	16-18 [1.8-2.0]
16 TB	/ 20	Single Stud Double Row	1000 V RMS	3000 V RMS	40 Amp 60 Hz	#8	#12 AWG	-3	0.395" [10.0]	16-18 [1.8-2.0]
17 TB	/ 21	Double Stud Double Row	600 V RMS	2200 V RMS	40 Amp 60 Hz	#6	#12 AWG	-3	0.395" [10.0]	10-12 [1.1-1.4]
25 TB 25 TBHT*	/ 23	Single Stud Single Row	300 V RMS	1500 V RMS	25 Amp 60 Hz	#4	#14 AWG	-17	0.242" [6.1]	6-8 [0.7-0.9]
26 TB 26 TBHT*	/ 24	Double Stud Double Row	300 V RMS	1500 V RMS	20 Amp 60 Hz	#4	#16 AWG	-20	0.242" [6.1]	6-8 [0.7-0.9]

*Marathon Special Products manufactures terminal blocks that are constructed to meet MIL-T-55164C and A-A-59125. Mil standard A-A-59125, dated September 16, 1997, supercedes MIL-T-55164C. We will continue to supply the same parts for this spec. The CID identifier will be the same class number as for MIL-T-55164C.

The old MIL-T-55164C standard required Group A and Group B testing. The Group B testing was required every three years. Since the new A-A-59125 standard does not require Group B testing, we have elected to discontinue this test. We will continue to do Group A testing.

The following blocks are affected by this change:

Class/Spec #	3TB / 9	6TB / 12	9TB / 15	15TB / 19	25TB / 23
	4TB / 10	7TB / 13	10TB / 16	16TB / 20	26TB / 24
	5TB / 11	8TB / 14	11TB / 17	17TB / 21	

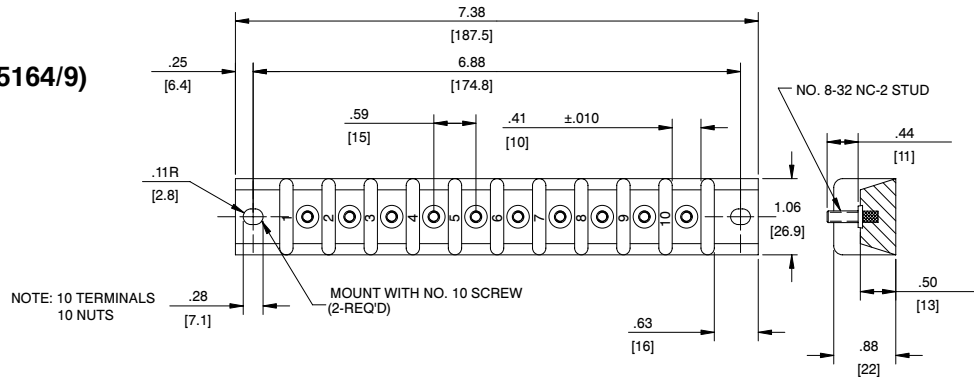
Kulka® Navy Class

(A-A-59125) / (MIL-T-55164)

3TB SERIES

(A-A-59125/9) / MIL-T-55164/9)

Catalog number: 3TB10F

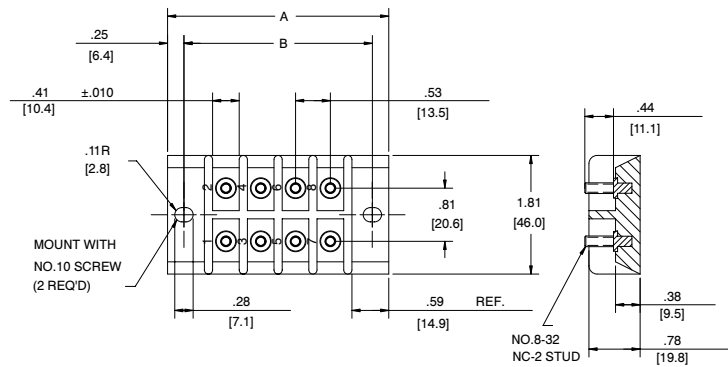


4TB SERIES

(A-A-59125/10) / (MIL-T-55164/10)

Double Row, Front Connection				
Type	# of Term	Dim. A	Dim. B	Nuts
4 TB 08F	8	3.38	2.88	8

mm = dim X 25.4

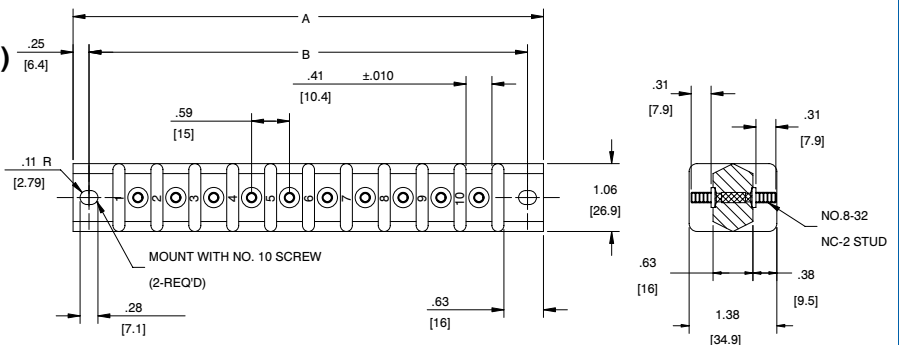


5TB SERIES

(A-A-59125/11) / (MIL-T-55164/11)

Single Row, Through Connection				
Type	# of Term	Dim. A	Dim. B	Nuts
5 TB 08F	8	6.13	5.63	16
5 TB 10F	10	7.38	6.88	20

mm = dim X 25.4

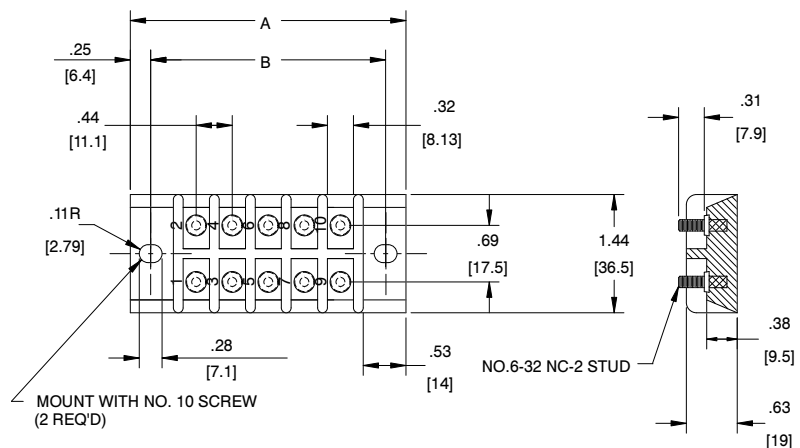


6TB SERIES

(A-A-59125/12) / (MIL-T-55164/12)

Double Row, Front Connection				
Type	# of Term	Dim. A	Dim. B	Nuts
6 TB 06F	6	2.50	2.00	6
6 TB 10F	10	3.38	2.88	10
6 TB 24F	24	6.50	6.00	24

mm = dim X 25.4



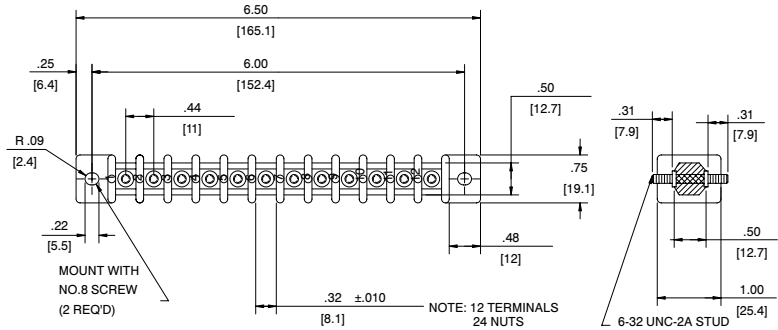
For electronic drawings or 2D/3D CAD data, submit request at www.marathonsp.com/drawings.html

Datasheets available at marathonsp.com

Kulka® Navy Class (A-A-59125) / (MIL-T-55164)

7TB SERIES (A-A-59125/13) / (MIL-T-55164/13)

Catalog number: 7TB12F



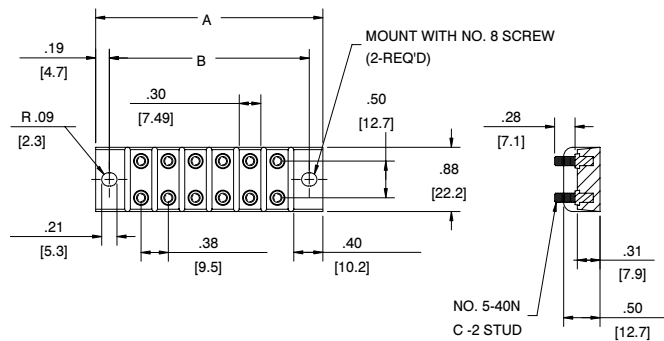
8TB SERIES (A-A-59125/14) / (MIL-T-55164/14)

Double Row, Linked Front Connection

Type	# of Term.		Dim. A	Dim. B	Nuts
	w/stud connectors	w/o stud connectors			
8 TB 02F	2	4	1.63	1.25	4
8 TB 06F	6	12	3.13	2.75	12
8 TB 08F	8	16	3.88	3.50	16
8 TB 10F	10	20	4.63	4.25	20

8TBHT also available

mm = dim X 25.4

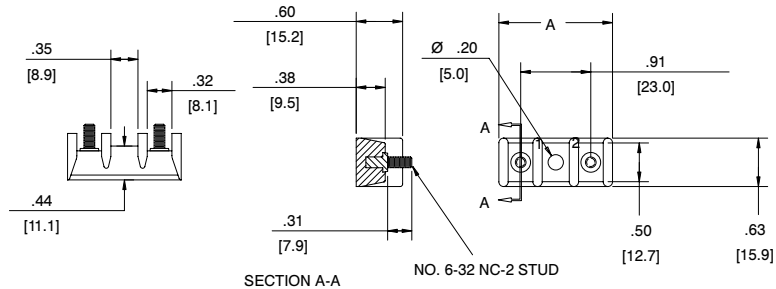


9TB SERIES (A-A-59125/15) / (MIL-T-55164/15)

Single Row, Front Connection

Type	# of Term.	Dim. A	Nuts
9 TB 04F	4	2.37	4

mm = dim X 25.4

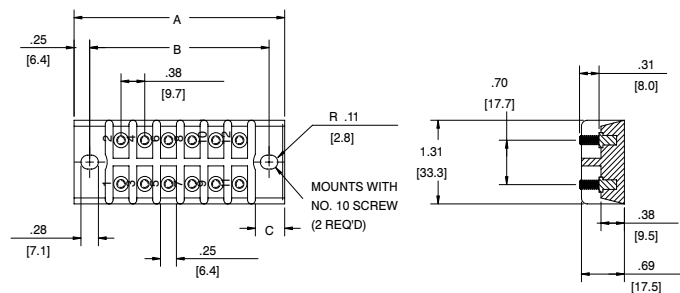


10TB SERIES (A-A-59125/16) / (MIL-T-55164/16)

Double Row, Front Connection

Type	# of Term.	Dim. A	Dim. B	Dim. C	Nuts
10 TB 28F	28	6.50	6.00	0.56	28

mm = dim X 25.4

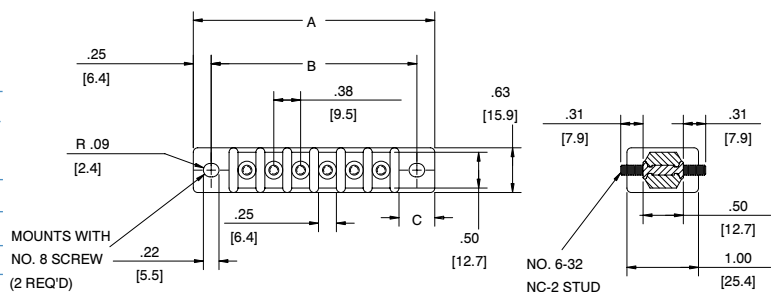


11TB SERIES (A-A-59125/17) / (MIL-T-55164/17)

Single Row, Through Connection

Type	# of Term.	Dim. A	Dim. B	Dim. C	Nuts
11 TB 06F	6	3.38	2.88	0.44	12
11 TB 14F	14	6.50	6.00	0.56	28

mm = dim X 25.4



For electronic drawings or 2D/3D CAD data, submit request at www.marathonsp.com/drawings.html

Kulka® Navy Class

(A-A-59125) / (MIL-T-55164)

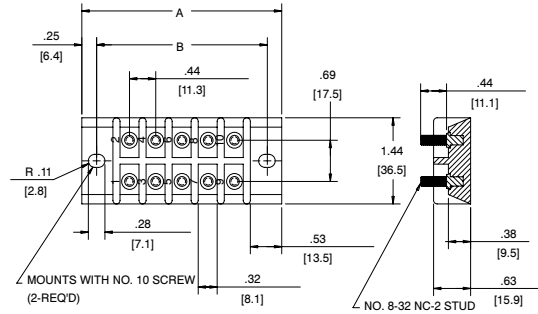
15TB SERIES

(A-A-59125/19) / (MIL-T-55164/19)

Double Row, Front Connection

Type	Number of Terminals	Dim. A	Dim. B	Nuts
15 TB 10F	10	3.38	2.88	10
15 TB 24F	24	6.50	6.00	24

mm = dim X 25.4



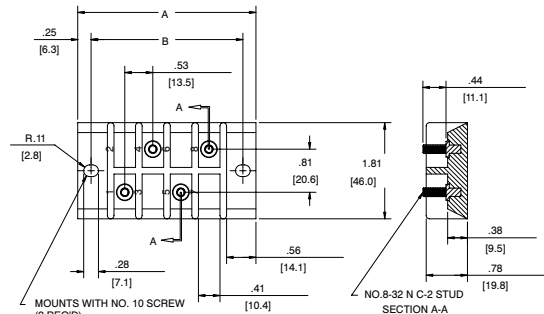
16TB SERIES

(A-A-59125/20) / (MIL-T-55164/20)

Double Row, Front Connection

Type	Number of Terminals	Dim. A	Dim. B	Nuts
16 TB 04F	4	3.38	2.88	4
16 TB 10F	10	6.50	6.00	10

mm = dim X 25.4



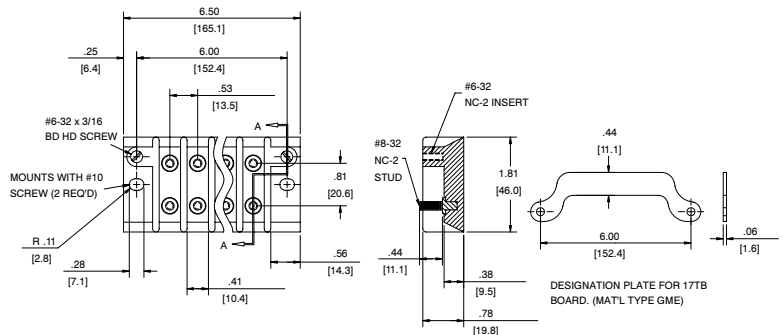
17TB SERIES

(A-A-59125/21) / (MIL-T-55164/21)

Double Row, Front Connection

Type	Number of Terminals		Dim. A	Dim. B	Nuts
	w/stud connectors	w/o stud connectors			
17 TB 10F	10	20	6.50	6.00	10

mm = dim X 25.4



25TB SERIES

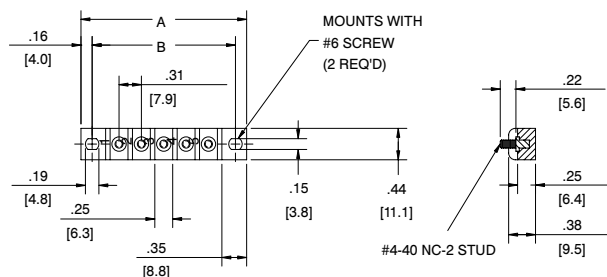
(A-A-59125/23) / (MIL-T-55164/23)

Single Row, Front Connection

Type	# of Term.	Dim. A	Dim. B	Nuts
25 TB 02F	2	1.38	1.06	2
25 TB 05F	5	2.31	2.00	5
25 TB 06F	6	2.63	2.31	6
25 TB 07F	7	2.94	2.63	7
25 TB 09F	9	3.56	3.25	9
25 TB 10F	10	3.88	3.56	10
25 TB 12F	12	4.50	4.19	12

25TBHT also available

mm = dim X 25.4



26TB SERIES

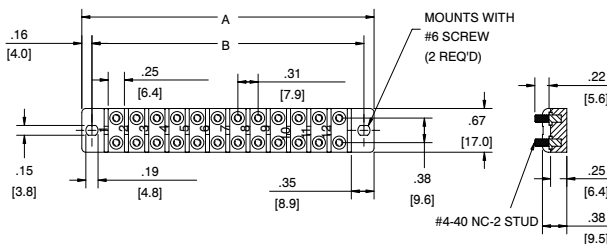
(A-A-59125/24) / (MIL-T-55164/24)

Double Row, Linked Front Connection

Type	# of Term.		Dim. A	Dim. B	Nuts
	w/stud connectors	w/o stud connectors			
26 TB 06F	6	12	2.63	2.31	12
26 TB 08F	8	16	3.25	2.94	16
26 TB 10F	10	20	3.88	3.56	20
26 TB 12F	12	24	4.50	4.19	24

26TBHT also available

mm = dim X 25.4



For electronic drawings or 2D/3D CAD data, submit request at www.marathonsp.com/drawings.html