

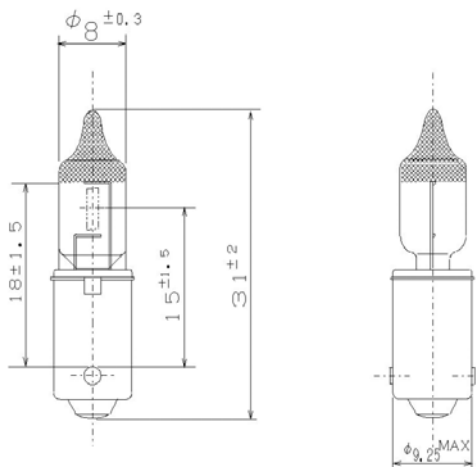
*Lamp Specification*

Wamco Part No.	Envelope Size	Base Type	Rating	Filament Shape
WL-2059X	T-2¾	BA9s	12V 10W	CC-8

Test Volts	Current (A)			Light Output (MSCP)			Color Temp.	Life Hours
	Min.	Nom.	Max.	Min.	Nom.	Max.		
12V	.750	.833	.916	6.30	7.60	8.90	—°K	10,000 Hrs

**Dimensional Characteristics:**

1. Lamp shall be clean with no foreign materials or glass chips inside.
2. Envelope shall be clear and free of scratches, discoloration, and any cement residue.
3. Base to be nickel-plated.



			<b>Title:</b>  <b>T-2¾ Miniature Bayonet Base Lamp 12V 10W Halogen</b>	<b>Rev:</b>  2
<b>Revised</b>	BL	08/23/10		
<b>Drawn</b>	BL	07/21/03		
<b>Checked</b>	ELB	07/21/03	<b>Notes:</b> Unless otherwise specified, all dimensions are in mm.	
<b>Approved</b>	EB	07/21/03		