

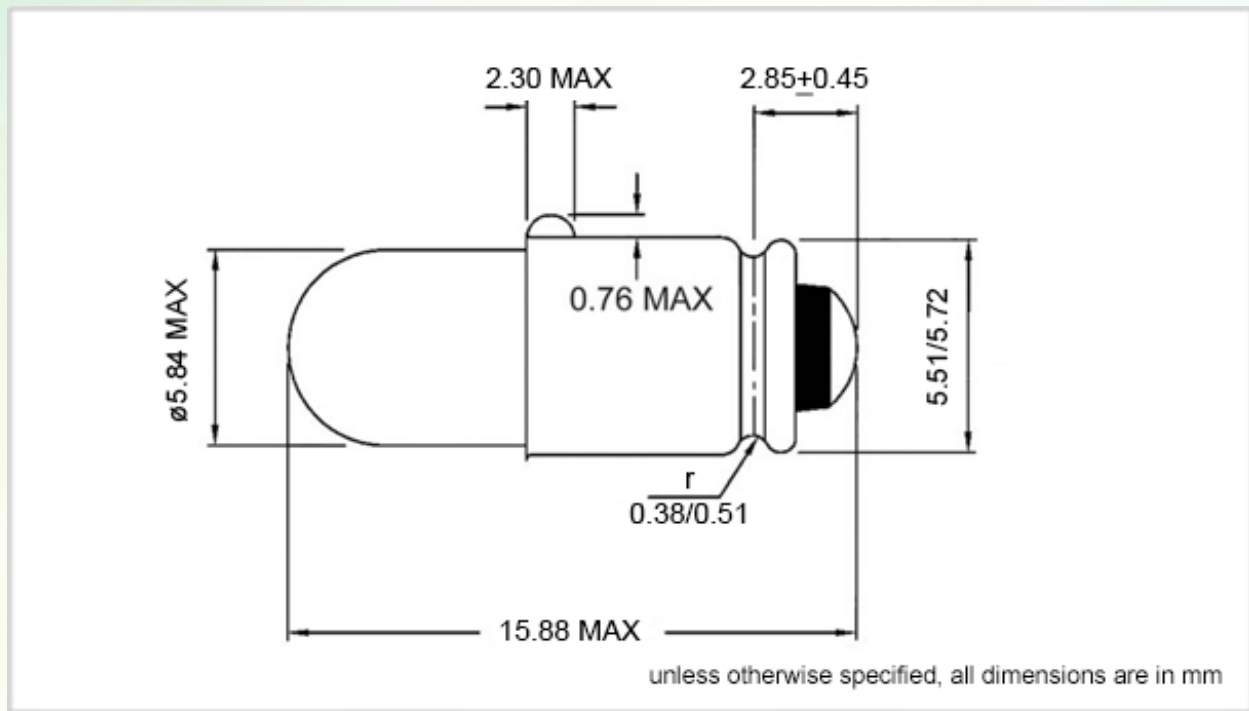
T-1³/₄ MIDGET GROOVE BASE

SUBMINIATURE LAMP

6V 200mA

WAMCO PART NO.	ENVELOPE SIZE	BASE TYPE	RATING	FILAMENT SHAPE			
WL-337	T-1 ³ / ₄	MG	6V 200mA	C-2R			
TEST VOLTS	CURRENT (mA)			LIGHT OUTPUT (MSCP)			LIFE HRS
	MIN	NOM	MAX	MIN	NOM	MAX	
6V	180	200	220	.450	.600	.750	1,000

DIMENSIONAL CHARACTERISTICS



NOTES

1. Part mark WL-337
2. RoHS compliant
3. ANSI trade number 337

