

T-1 WIRE TERMINAL

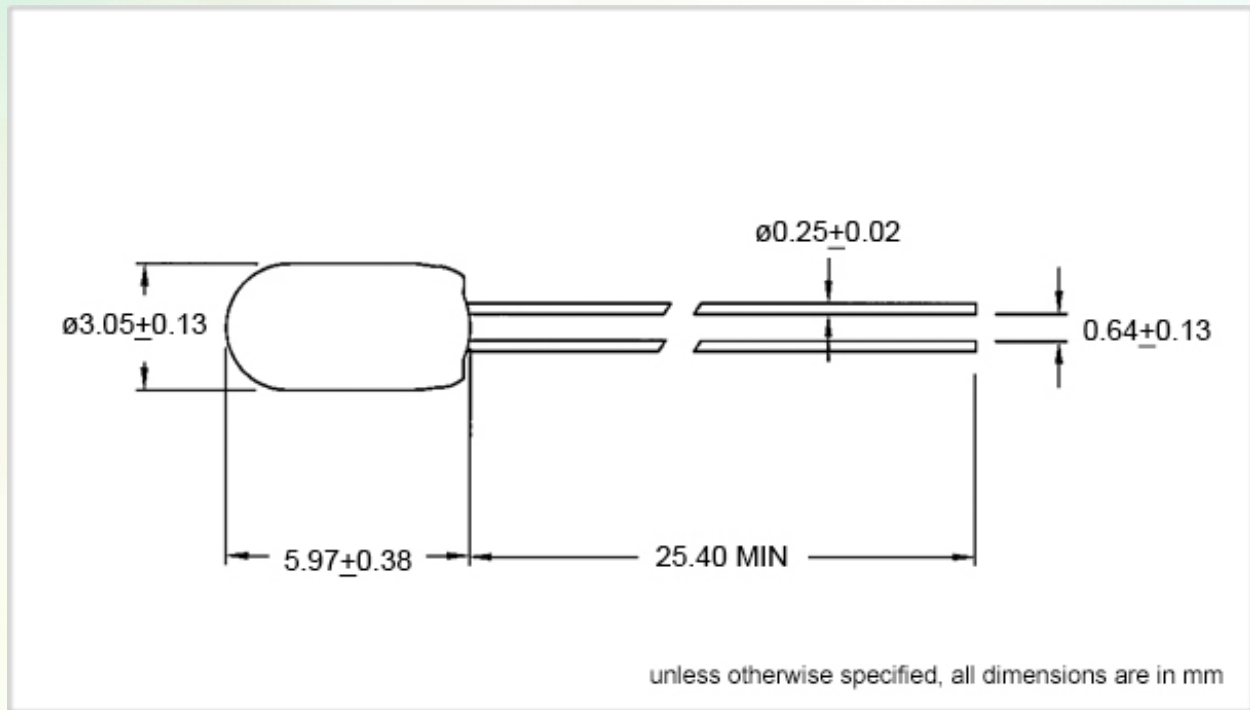
SUBMINIATURE LAMP

5V 21mA

WAMCO PART NO.	ENVELOPE SIZE	BASE TYPE	RATING	FILAMENT SHAPE
WL-6022	T-1	WT	5V 21mA	C-2R

TEST VOLTS	CURRENT (mA)			LIGHT OUTPUT (MSCP)			LIFE HRS
	MIN	NOM	MAX	MIN	NOM	MAX	
5V	18.9	21.0	23.1	.025	.034	.043	10,000

DIMENSIONAL CHARACTERISTICS



NOTES

1. Tin plated leads
2. RoHS compliant
3. ANSI trade number 6022

