

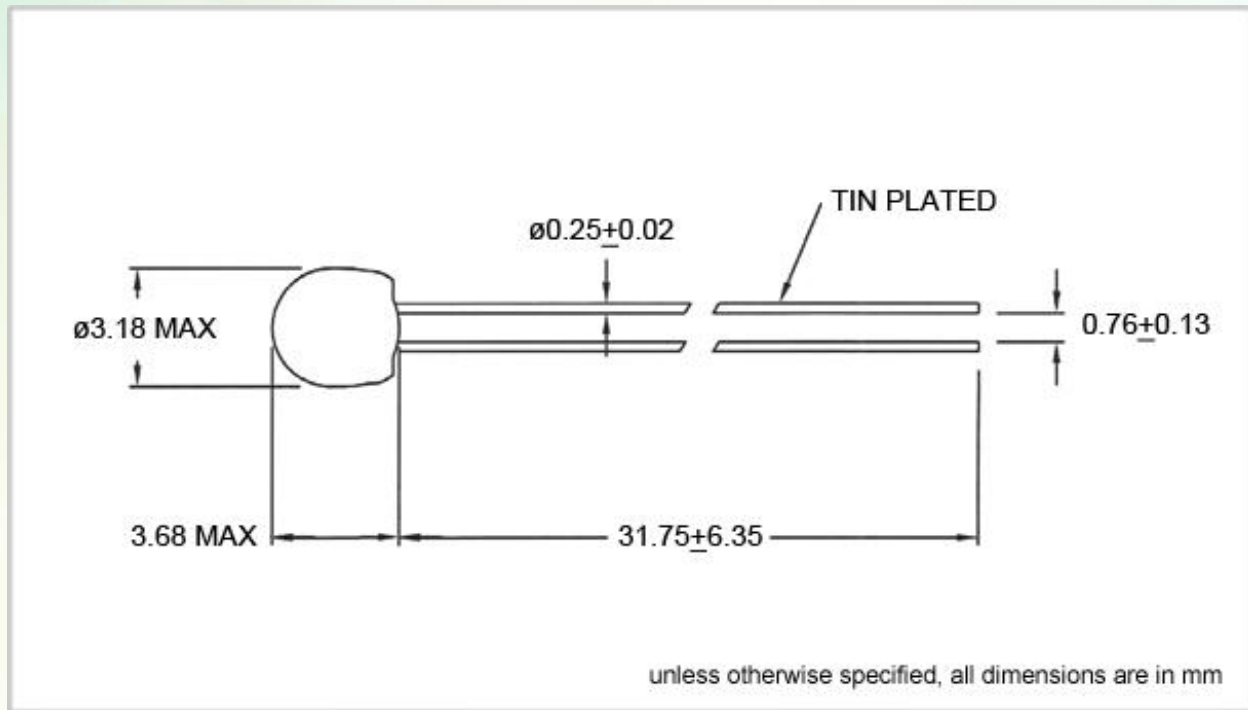
T-1 SHORT WIRE TERMINAL

SUBMINIATURE LAMP

5V 60mA

WAMCO PART NO.	ENVELOPE SIZE	BASE TYPE	RATING	FILAMENT SHAPE			
WL-6832	T-1 SHORT	WT	5V 60mA	C-2R			
TEST VOLTS	CURRENT (mA)			LIGHT OUTPUT (MSCP)			LIFE HRS
5V	MIN	NOM	MAX	MIN	NOM	MAX	100,000
	54	60	66	.037	.050	.063	

DIMENSIONAL CHARACTERISTICS



NOTES

1. RoHS compliant
2. ANSI trade number 6832
- 3.

