

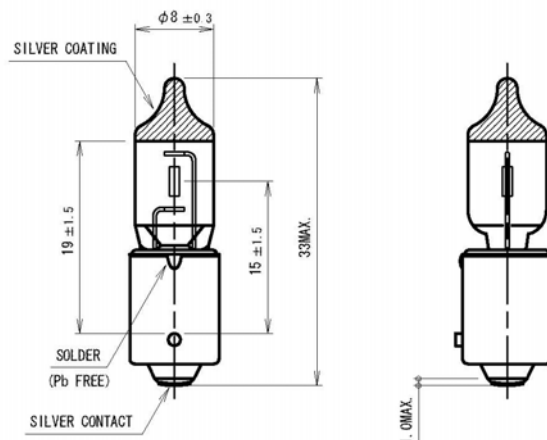
Lamp Specification

Wamco Part No.	Envelope Size	Base Type	Rating	Filament Shape
WL-8GH004554-28	T-2¾	BA9s/13	28V 11.5W	CC-8

Test Volts	Current (A)			Light Output (MSCP)			Life Hours
	Min.	Nom.	Max.	Min.	Nom.	Max.	
28V	.369	.410	.451	6.7	8.8	10.9	8,000 Hrs

Dimensional Characteristics:

1. Lamp shall be clean with no foreign materials or glass chips inside.
2. Envelope shall be clear and free of scratches, discoloration, and any cement residue.
3. Base to be nickel-plated.
4. Primary contact to be a silver-plated disk.



			Title: T-2¾ Miniature Bayonet Base Lamp 28V 11.5W Halogen	Notes: Unless otherwise specified, all dimensions are in mm.	Rev: 4
Revised	BL	08/23/10			
Drawn	BL	11/27/08			
Checked	ELB	12/01/08			
Approved	EB	12/01/08			