

# T-2¼ SINGLE CONTACT BAYONET BASE

## XENON GAS FILLED LAMP

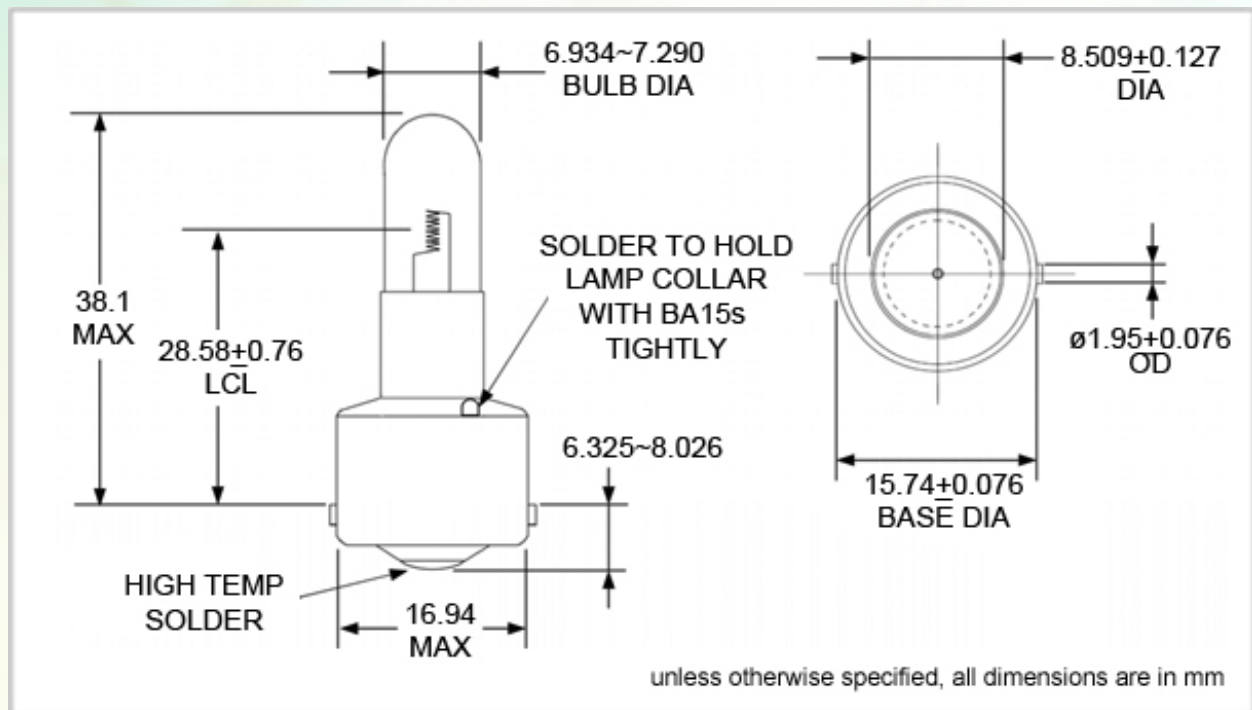
28V 10W

WAMCO PART NO.	ENVELOPE SIZE	BASE TYPE	RATING	FILAMENT SHAPE
WL-998502-20	T-2¼	BA15s	28V 10W	CC-8

TEST VOLTS	CURRENT (A)			LIGHT OUTPUT (MSCP)			LIFE HRS
	MIN	NOM	MAX	MIN	NOM	MAX	
28V	.324	.360	.396	6.97	8.20	9.43	7,000

## DIMENSIONAL CHARACTERISTICS



## NOTES

1. High temperature solder (95% tin, 5% silver), softening point 221°C
2. Part mark WL-998502-20, 28V, 10W
3. RoHS compliant

