

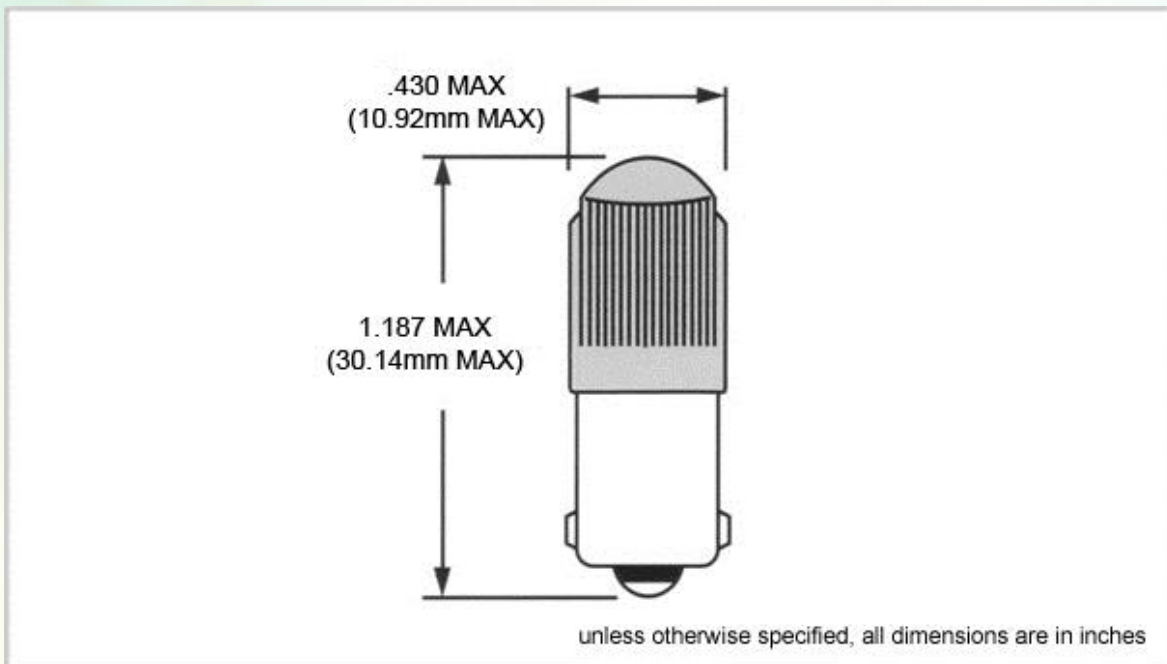
T-3¼ MINIATURE BAYONET BASE

NEON LAMP

115V AC

WAMCO PART NO.	ENVELOPE SIZE	BASE TYPE	RATING		
WL-B2A	T-3¼	BA9s	115V AC		
TEST VOLTS	CURRENT (mA)			LIGHT OUTPUT	LIFE HRS
115V AC	MIN	NOM	MAX	COLOR /APPEARANCE	
	—	1.10	—	HIGH BRIGHTNESS RED	25,000

DIMENSIONAL CHARACTERISTICS



NOTES

1. Nickel-plated brass construction base
2. Recommended series resistor 47K Ω ¼W for 100~125V operation
3. Dark effect reduced
4. Caution: Bulb may shatter and/or circuit may be damaged without external series resistance
5. Part mark WL-B2A
6. RoHS compliant
7. ANSI trade number B2A, NE-51H

