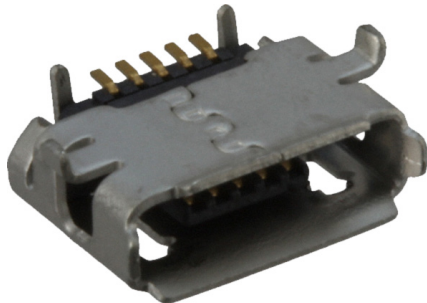


Micro USB Receptacle

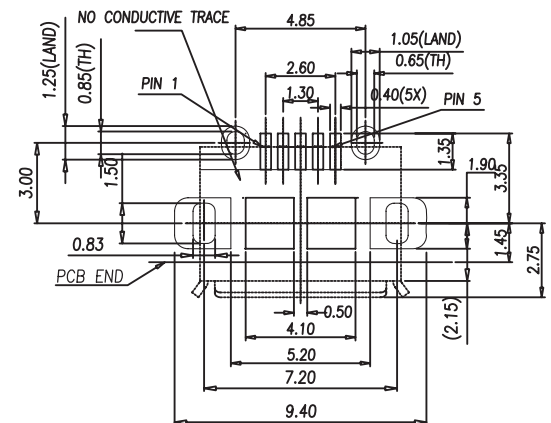
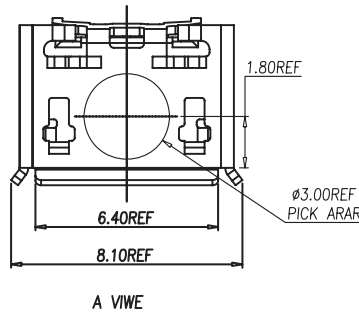
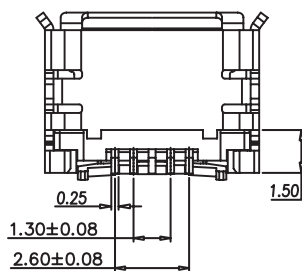
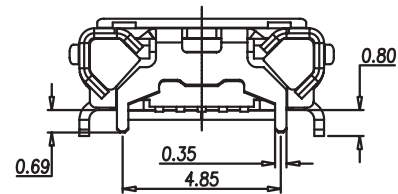
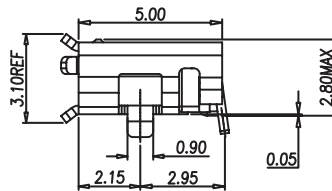
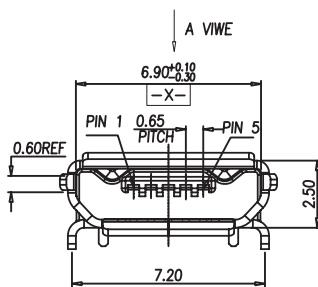


**RoHS
Compliant**



Specifications:

Voltage Rating	: 30V AC
Current Rating	: When applying current only to signal terminals: 1A (for terminal No. 2.3 & 4) When applying current only to power terminals: 1.8A (for terminal No. 1 & 5) 0.5A (for terminal No. 2.3 & 4)
Insulation Resistance	: 100MΩ min / at 100V DC
Dielectric Withstanding Voltage	: 100V(r.m.s) AC for 1 Minute
Contact Resistance	: 30mΩ Max.
Operating Temperature	: -30°C to +80°C



PCB LAYOUT(±0.05)

Dimensions : Millimetres

Notes:

Materials:

1. Housing:
HI-TEMP. Plastic UL 94V-0 Black
2. Contact:
Copper Alloy, T = 0.15mm
Gold Plated on Contact Area
Gold Flash Plated on Solder Tails Under Nickel Plated
3. Shell:
Stainless Steel or Copper Alloy T = 0.3mm
Matte Tin Plating Overall Under Nickel Plated

Part Number Table

Description	Part Number
Micro USB 5 pin Receptacle	MC001009

Important Notice : This data sheet and its contents (the "Information") belong to the members of the Premier Farnell group of companies (the "Group") or are licensed to it. No licence is granted for the use of it other than for information purposes in connection with the products to which it relates. No licence of any intellectual property rights is granted. The Information is subject to change without notice and replaces all data sheets previously supplied. The Information supplied is believed to be accurate but the Group assumes no responsibility for its accuracy or completeness, any error in or omission from it or for any use made of it. Users of this data sheet should check for themselves the Information and the suitability of the products for their purpose and not make any assumptions based on information included or omitted. Liability for loss or damage resulting from any reliance on the Information or use of it (including liability resulting from negligence or where the Group was aware of the possibility of such loss or damage arising) is excluded. This will not operate to limit or restrict the Group's liability for death or personal injury resulting from its negligence. Multicomp is the registered trademark of the Group. © Premier Farnell plc 2012.

www.element14.com
www.farnell.com
www.newark.com

