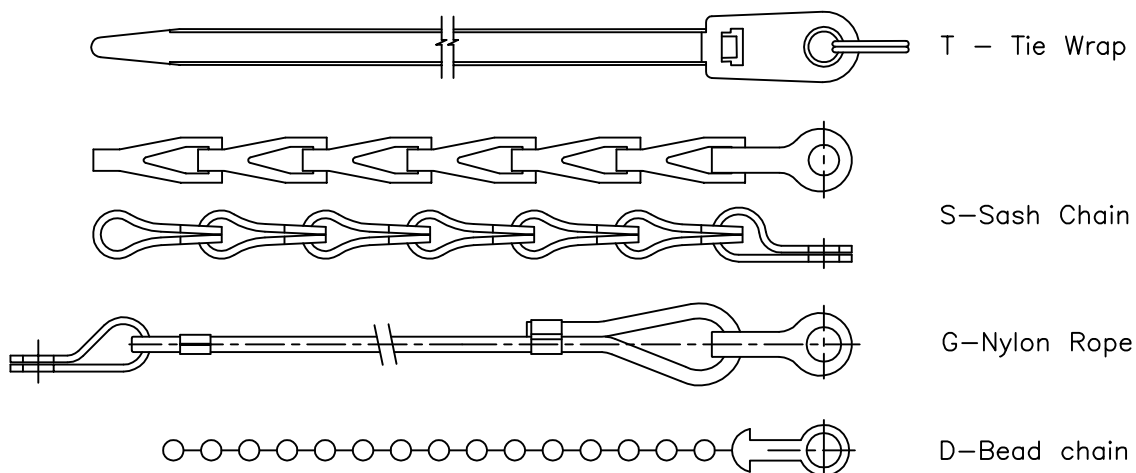
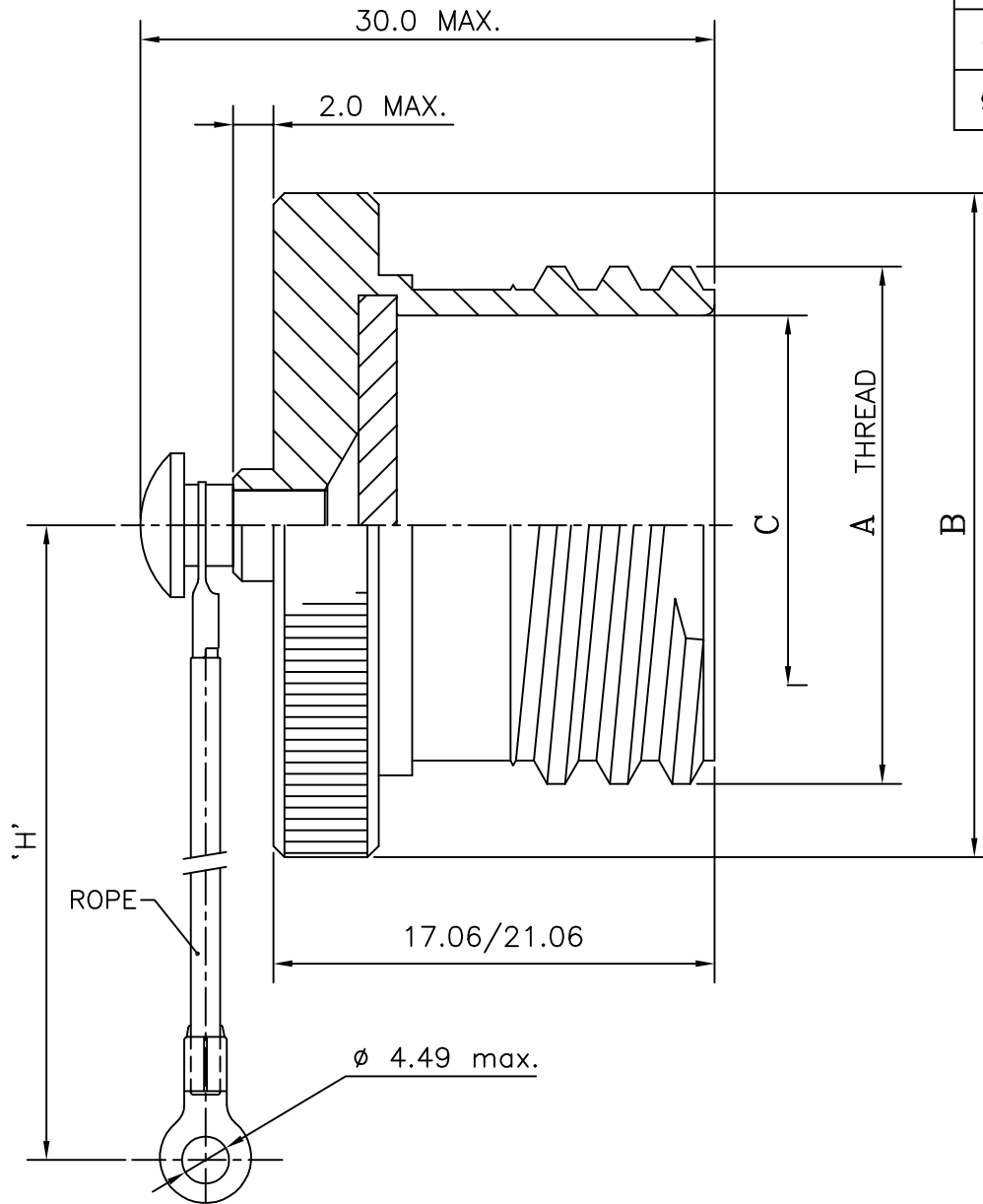
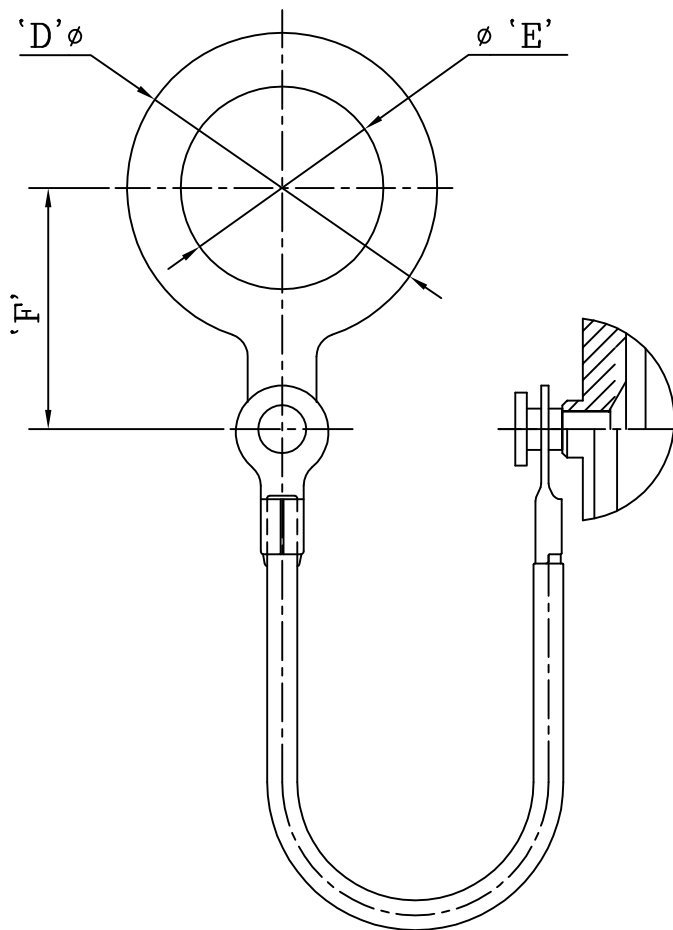


ISSUE NO.	ENG. REF. NO.	DATE	APP. BY
8	-	04/12 /12	<i>C. S. Murke</i>
9	-	23/10 /15	<i>C. S. Murke</i>



AUTO-CAD REL-14 QF-DEV-05 REV-NO. 02	AMPHENOL Amphenol Interconnect India Pvt. Ltd. Pune 411026		TITLE METAL DUST CAP ASSY. FOR SER-III PLUG (09 TO 25)		
	2005 Drawn by <i>R. Pawar</i> Checked by <i>R. S. Kumar</i> App. by <i>C. S. Murke</i>	Name <i>R. Pawar</i> <i>R. S. Kumar</i> <i>C. S. Murke</i>	Date 11/11/05 11/11/05 11/11/05	Dwg. Size A4	
Sheet 1 of 5					STANDARD



SHELL SIZE	'A' THREAD-2A -0.1P-0.3L-TS	ϕB max	'C' +0.00 -0.15	ϕD max	ϕE min	'F'	'H' +13.0 -7.0
09	0.625"	23.0	12.50	24.0	13.0	24.0\14.5	127
11	0.750"	26.0	15.75	27.0	18.0	20.5\18.0	
13	0.875"	31.0	19.53	30.0	20.0	27.0\20.0	
15	1.000"	33.0	22.71	31.0	23.0	22.5\18.0	
17	1.1875"	37.0	25.88	37.0	26.0	30.5\23.5	
19	1.250"	40.0	28.55	40.0	29.0	31.5\25.0	
21	1.375"	44.0	31.72	44.0	32.0	33.0\26.5	
23	1.500"	46.0	34.90	46.0	34.0	34.0\27.5	
25	1.625"	50.0	38.07	49.0	39.0	38.0\30.0	

Notes: 1) Dimensions are in millimeters, except "A threads" which are in Inches.
2) Method of attachment to cover and or ring is optional.

AUTO-CAD REL-14	AMPHENOL Amphenol Interconnect India Pvt. Ltd. Pune 411026			TITLE METAL DUST CAP ASSY. FOR SER-III PLUG (09 TO 25)		
	2005	Name	Date	Dwg. Size	Dwg. No.	
QF-DEV-05 REV-NO. 02	Drawn by	R. Pawar	11/11/05	A4	PSTD-10158	STANDARD
	Checked by	R.S. Kumar	11/11/05			
	App. by	C.S. Munde	11/11/05	Sheet 2 of 5		

REQUIREMENTS:

MATERIAL :-

Cover : Machined Aluminium alloy

Gasket : Silicone elastomer.

Ring : Stainless steel, passivated.

Rope : Stainless steel teflon coated.

Insulation shall withstand 200°C environment.

Fastener : Stainless steel, passivated. Option: Aluminium integral to cover.

MATING CONNECTOR :- MIL-DTL-38999, series III. Plug.

(MILITARY PART NUMBER.)

ORDERING INFORMATION:

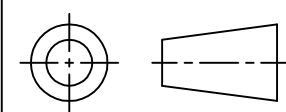
JAND38999/32 W 15 R

Designates Plug Dust Cover

Class:-
 F - Electroless nickel finish.
 W - Aluminium, 500 Hrs cadmium olive drab.
 Z - Black Zinc Nickel finish.

Shell Size : 09,11,13,15,17,19,21,23 & 25

Style:-
 R - Rope
 N - With rope & ring.

AUTO-CAD REL-14	AMPHENOL Amphenol Interconnect India Pvt. Ltd. Pune 411026			TITLE METAL DUST CAP ASSY. FOR SER-III PLUG (09 TO 25)		
	QF-DEV-05 REV-NO. 02	2005 Drawn by <i>R. Pawar</i> Checked by <i>R.S. Kumar</i> App. by <i>C.S. Munkh</i>	Name Date	Date 11/11/05 11/11/05 11/11/05	Dwg. Size A4	
Sheet 3 of 5						STANDARD

(PROPRIETARY PART NUMBER.)

ORDERING INFORMATION:

ITV32 09 A F N H

Designates Plug Dust Cover

Shell Size : 09,11,13,15,17,19,21,23 & 25

Class
Aluminium
 A – Hard anodic
 B – Zinc Nickel finish.
 F – 48 Hrs. electroless nickel.
 T – PTFE Nickel Plating
 W – 500 Hrs cadmium olive drab.
 EB – Cad. free zinc cobalt–olive drab finish.
 FB – Cad. free zinc cobalt–Black finish.
 SD – Zinc Nickel finish (Black)

Composite
 * J – Composite, cadmium olive drab.
 * M – Composite electroless nickel.

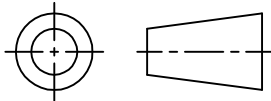
NB – Nickel Aluminium Bronze
 CD – S. Steel Passivated

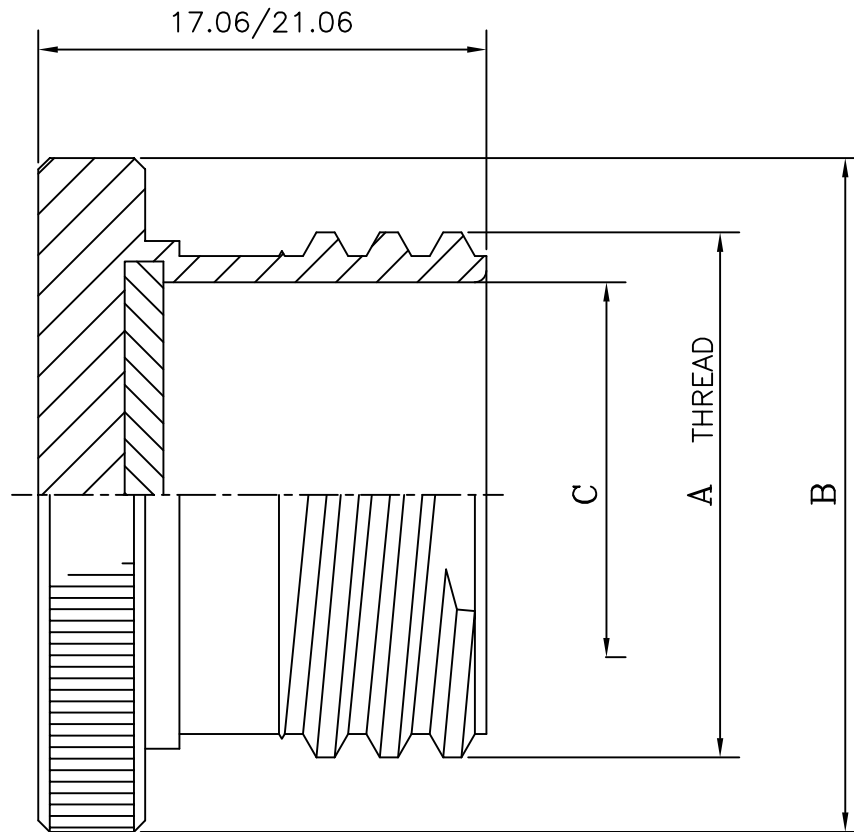
Type of attachment:
 D – Bead chain passivated.
 F – Wire rope with teflon jacket.
 G – Nylon cord
 S – Sash chain passivated.
 X – None (small link)

Type of end link:
 N – Solid ring
 T – Tie wrap
 X – None (small link hole dia 4.49 mm max.)
 Y – Without End Link.

Length of attachment:
 H – Standard length
 For non–standard 'H', length has to be specified in mm.

* Contact Factory.

AUTO-CAD REL-14	AMPHENOL Amphenol Interconnect India Pvt. Ltd. Pune 411026			TITLE METAL DUST CAP ASSY. FOR SER-III PLUG (09 TO 25)		
	QF-DEV-05 REV-NO. 02	2005 Drawn by <i>R. Pawar</i> Checked by <i>R.S. Kumar</i> App. by <i>C.S. Munkh</i>	Name Date 11/11/05 11/11/05 11/11/05	Dwg. Size Dwg. No. PSTD-10158 A4	Sheet 4 of 5	



REQUIREMENTS:

MATERIAL :

Cover : Machined Aluminium alloy

Gasket : Silicone elastomer.

MATING CONNECTOR: MIL-DTL-38999, series III. Plug.

Gasket shall be mechanically retained.

ORDERING INFORMATION:

ITV32 - 09 - A - V1

Designates plug cover

Shell size : 09,11,13,15,17,19,21,23 & 25

Class
 A - Hard anodic
 W - Aluminium, 500 Hrs cadmium olive drab.
 J - Composite, cadmium olive drab.
 M - Composite electroless nickel.
 F - Aluminium, 48 Hrs. electroless nickel.
 EB - Zinc cobalt olive drab
 T - Nickel PTFE finish.

VARIENT

AUTO-CAD REL-14	AMPHENOL Amphenol Interconnect India Pvt. Ltd. Pune 411026			TITLE METAL DUST CAP ASSY. FOR SER-III PLUG (09 TO 25)		
	QF-DEV-05 REV-NO. 02	2005 Drawn by <i>R. Pawar</i> Checked by <i>R.S. Kumar</i> App. by <i>C.S. Munkh</i>	Name Date 11/11/05 11/11/05 11/11/05	Dwg. Size A4	Dwg. No. PSTD-10158 Sheet 5 of 5	
						STANDARD