

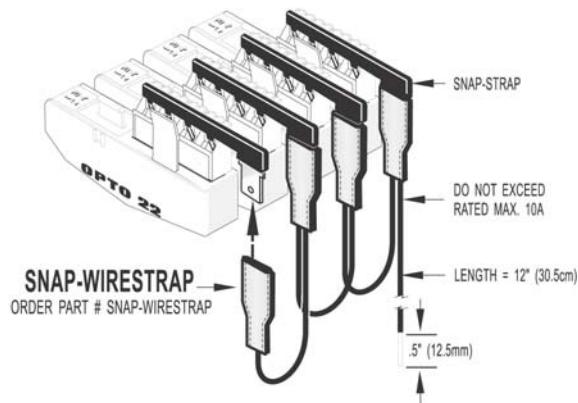
## Jumper Straps for SNAP Digital I/O

SNAP I/O module jumper straps let you easily make jumper connections on a SNAP digital I/O (input/output) module.

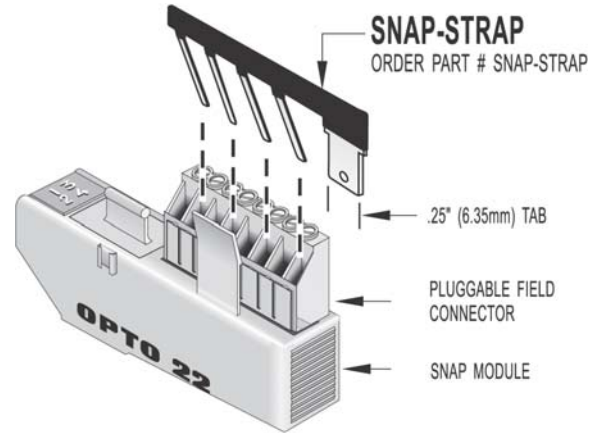
The **SNAP-STRAP**, shown at right, plugs into individual wire connections on a module's pluggable field connector.

SNAP-STRAPS on multiple modules can be connected using the **SNAP-WIRESTRAP**, shown below.

Both parts are Factory Mutual approved.



Length of wire between connectors = 3.25" (8.26 cm)



To order additional SNAP-STRAP or SNAP-WIRESTRAP parts, contact your local distributor or call 800-321-6786 (toll-free in the U.S.) or 951-695-3000.

For other wiring options, see form #1756, the *SNAP TEX Cables and Breakout Boards Data Sheet*, available on our website, [www.opto22.com](http://www.opto22.com). The easiest way to find the data sheet is to search on its form number.

Form 1038—090112

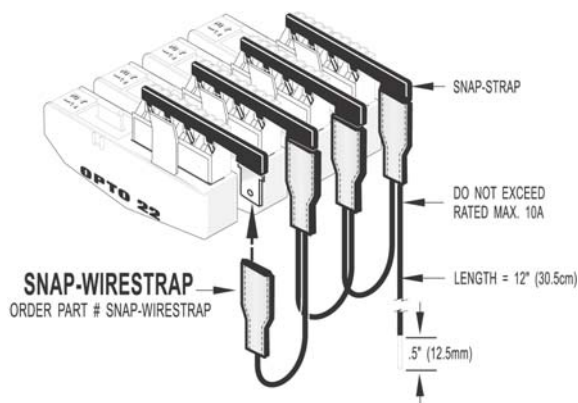
## Jumper Straps for SNAP Digital I/O

SNAP I/O module jumper straps let you easily make jumper connections on a SNAP digital I/O (input/output) module.

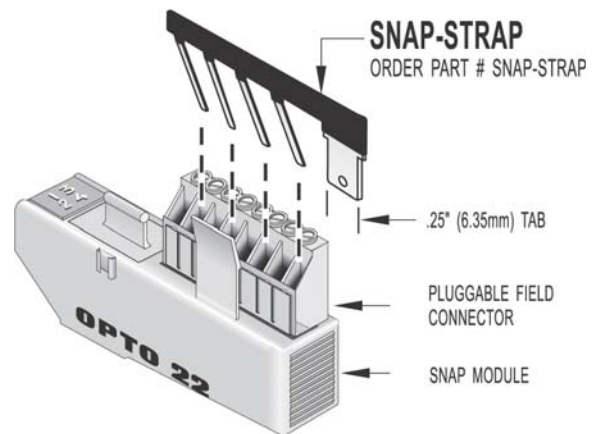
The **SNAP-STRAP**, shown at right, plugs into individual wire connections on a module's pluggable field connector.

SNAP-STRAPS on multiple modules can be connected using the **SNAP-WIRESTRAP**, shown below.

Both parts are Factory Mutual approved.



Length of wire between connectors = 3.25" (8.26 cm)



To order additional SNAP-STRAP or SNAP-WIRESTRAP parts, contact your local distributor or call 800-321-6786 (toll-free in the U.S.) or 951-695-3000.

For other wiring options, see form #1756, the *SNAP TEX Cables and Breakout Boards Data Sheet*, available on our website, [www.opto22.com](http://www.opto22.com). The easiest way to find the data sheet is to search on its form number.

Form 1038—090112