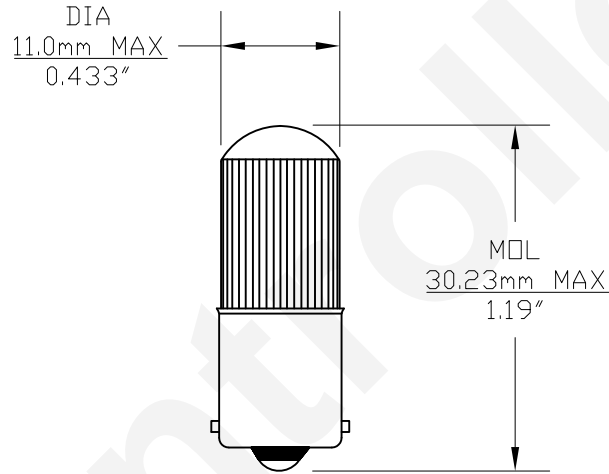


PART NO.	BASE TYPE	DESIGN VOLTS	AMPS	WATTS	MINIMUM LIFE HOURS
SEE BELOW	MINIATURE BAYONET BA9s	6V AC/DC	12mA ±10%	0.3	10,000

BI-POLAR

OPERATING TEMPERATURE: -20°C TO 50°C



REVISIONS			
REV	DESCRIPTION	DATE	APPROVED
1	ISSUED	03/03/2011	D.C.
2	ADDITION OF WHITE	11/16/2011	D.C.

PART NUMBER	COLOR	LUMENS
L1006MB-G	GREEN	7.3
L1006MB-R	RED	3.4
L1006MB-W	WHITE	9.8

UNLESS OTHERWISE SPECIFIED: DIMENSIONS ARE IN INCHES TOLERANCES		CEC INDUSTRIES LTD			
		599 BOND STREET		LINDOLNSHIRE IL 60069	
		TITLE L1006MB SERIES LED MINIATURE BAYONET BASE			
DRAWN D.C.	DATE 03/03/2011	SIZE A	FSCM NO.	DWG NO. L1006MB SERIES	REV 2
CHECKED		SCALE	PLOT SCALE	SHEET 1 OF 1	
DESIGN		FILE L1006MB SERIES.dwg		DO NOT SCALE DRAWING	