

## Category 5e Shielded Keystone Panel Mount Coupler



### **Category 5e Shielded Keystone Panel Mount Coupler (FACK2S)**

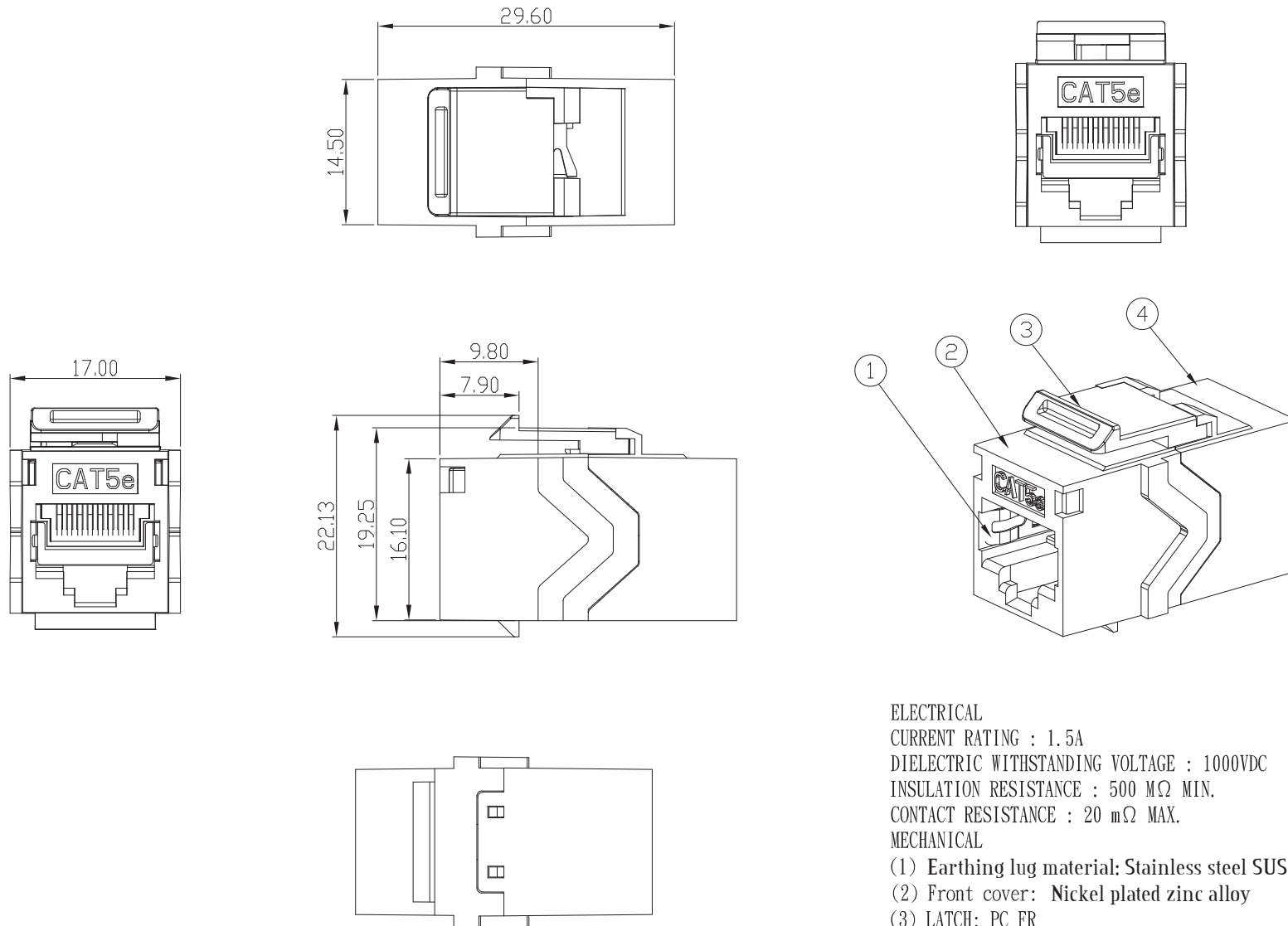
#### ***Features***

- Designed to fit industry standard keystone outlets, wall plates and patch panels
- High performance data throughput, meets Category 5e data transfer rates
- Unshielded versions available
- Plug insertion life  $\geq 750$  times
- Operating temperature:  $-40^{\circ}\text{C} \sim +66^{\circ}\text{C}$
- Fully loaded 16 and 24 port patch panels available with or without cable management
- Available as part of our innovative panel mount and D UNIVERSAL ranges

#### ***Specifications***

- Housing: Nickel plated zinc alloy
- Contacts: Phosphor bronze,  $50\mu\text{m}/1.27\mu\text{m}$  gold plated over contact area
- Colour: Silver
- Dimensions: approx 29.7 x 17 x 16.1 mm
- Weight: approx 17g
- Earthing lug material: Stainless steel SUS304

ROHS Compliant

**Code: FACK2S**

ELECTRICAL  
CURRENT RATING : 1.5A  
DIELECTRIC WITHSTANDING VOLTAGE : 1000VDC  
INSULATION RESISTANCE : 500 M $\Omega$  MIN.  
CONTACT RESISTANCE : 20 m $\Omega$  MAX.

MECHANICAL  
(1) Earthing lug material: Stainless steel SUS304  
(2) Front cover: Nickel plated zinc alloy  
(3) LATCH: PC FR  
(4) Bottom cover: Nickel plated zinc alloy