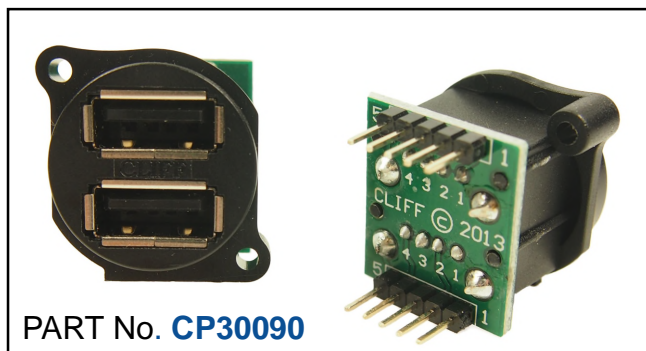




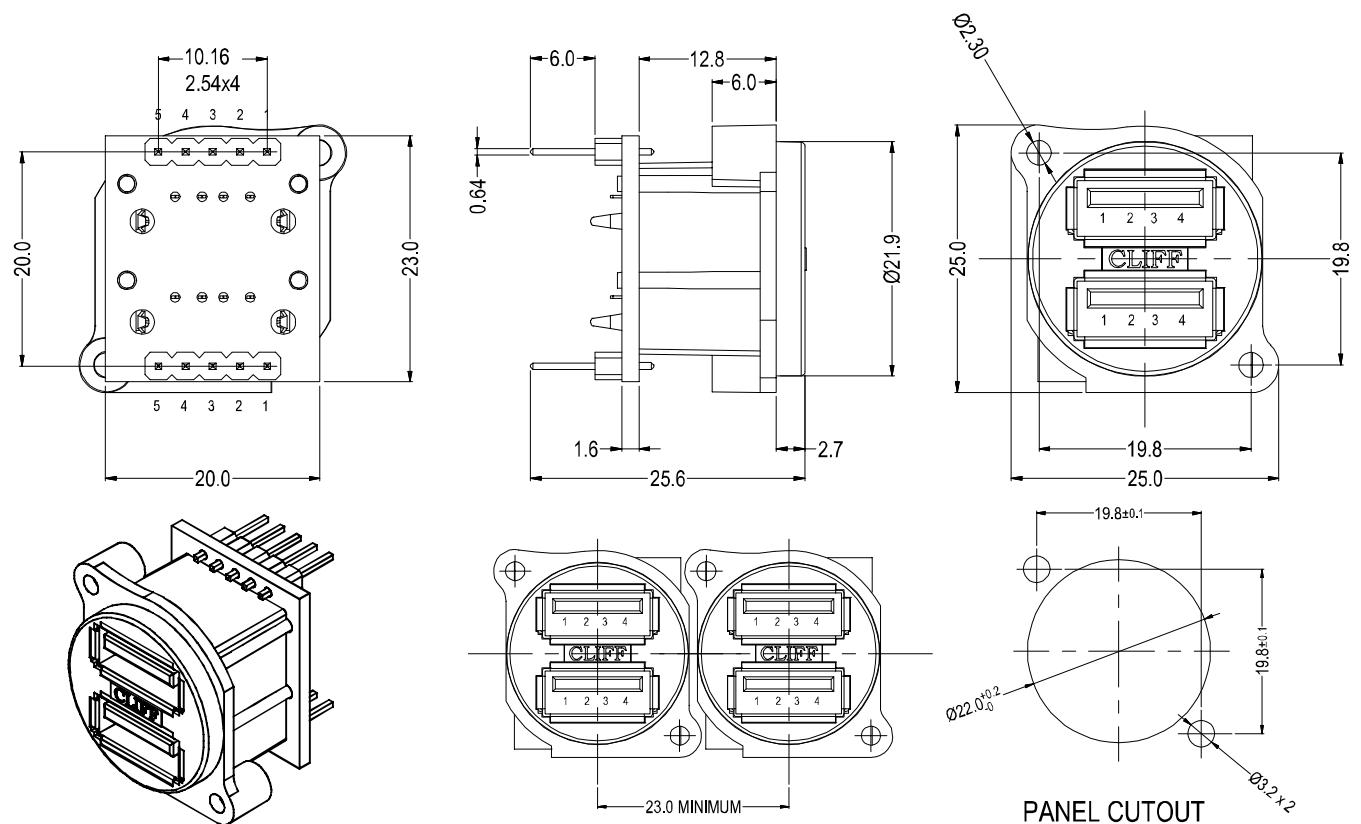
DUAL USB SOCKETS IN XLR SHELL

Dual USB2 compliant sockets are mounted in a single space-saving universal XLR receptacle, chosen to allow industry standard panel cutouts and maximum panel mounting density. The two USB2 sockets provide isolated and independent output connection to two rows of 5 x 2.54mm (0.1") pitch output pins. These are configured to facilitate either direct soldering to PCBs or connection by header cable. We are happy to provide customers with standard or custom designed header cables to meet individual system requirements. This is the first in Cliff's programmed series of USB and other data connectors, primarily in XLR and other industry standard shells. Enquire to Sales for customised USB connector variants to suit end users applications.

DUAL USB2 WITH TWO 5-WAY HEADERS



PIN No.	CONNECTION
1	Vcc
2	Data -
3	Data +
4	Ground
5	Housing

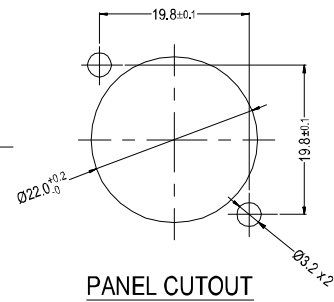
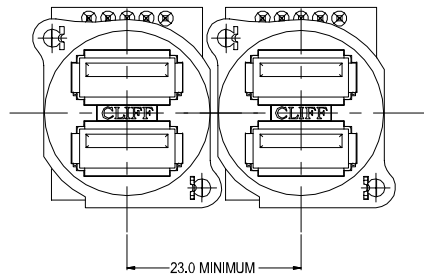
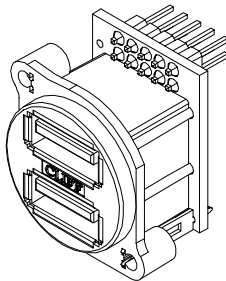
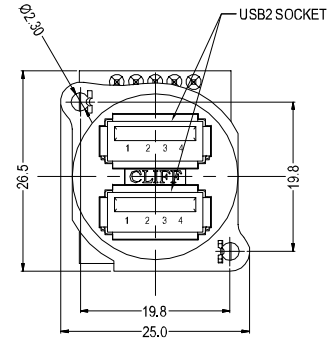
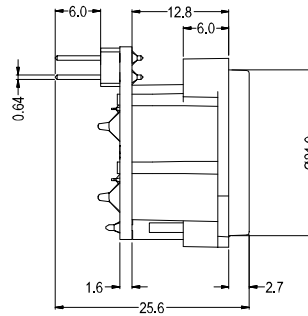
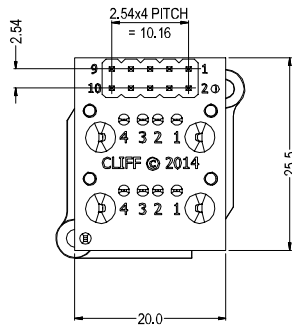


DUAL USB2 WITH SINGLE 2x5-WAY HEADER & EARTH



PART No. **CP30092**

	Pin No.		Header Pin
Top USB	1	Vcc	1
	2	Data -	3
	3	Data +	5
	4	Ground	7
		USB Body	9
Bottom USB	1	Vcc	2
	2	Data -	4
	3	Data +	6
	4	Ground	8
		USB Body	10

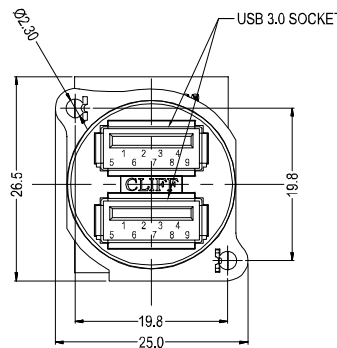
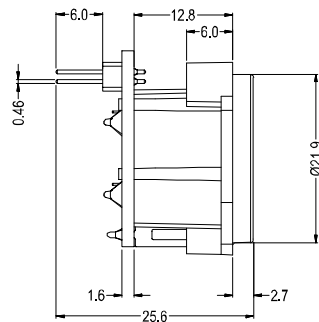
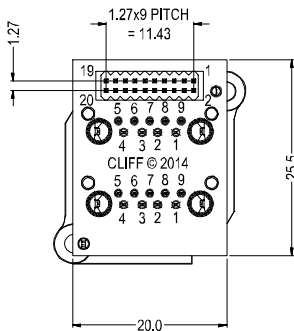


DUAL USB3.0 WITH EARTH



PART No. **CP30097**

Suitable for compatible connectors and ribbon cable. Refer to website www.cliffuk.co.uk for examples.



	Pin No.		Header Pin
Top USB	1	VBUS	1
	2	D-	3
	3	D+	5
	4	GND	7
	5	StdA_SSRX-	9
	6	StdA_SSRX+	11
	7	GND_DRAIN	13
	8	StdA_SSTX-	15
	9	StdA_SSTX+	17
	USB Body + Panel Earth	19	
Bottom USB	1	VBUS	2
	2	D-	4
	3	D+	6
	4	GND	8
	5	StdA_SSRX-	10
	6	StdA_SSRX+	12
	7	GND_DRAIN	14
	8	StdA_SSTX-	16
	9	StdA_SSTX+	18
	USB Body + Panel Earth	20	

