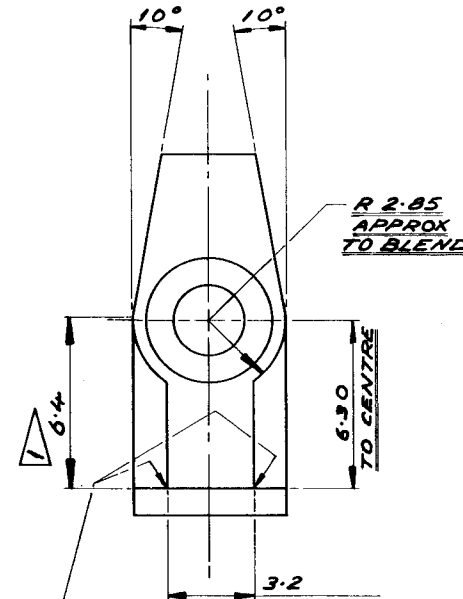
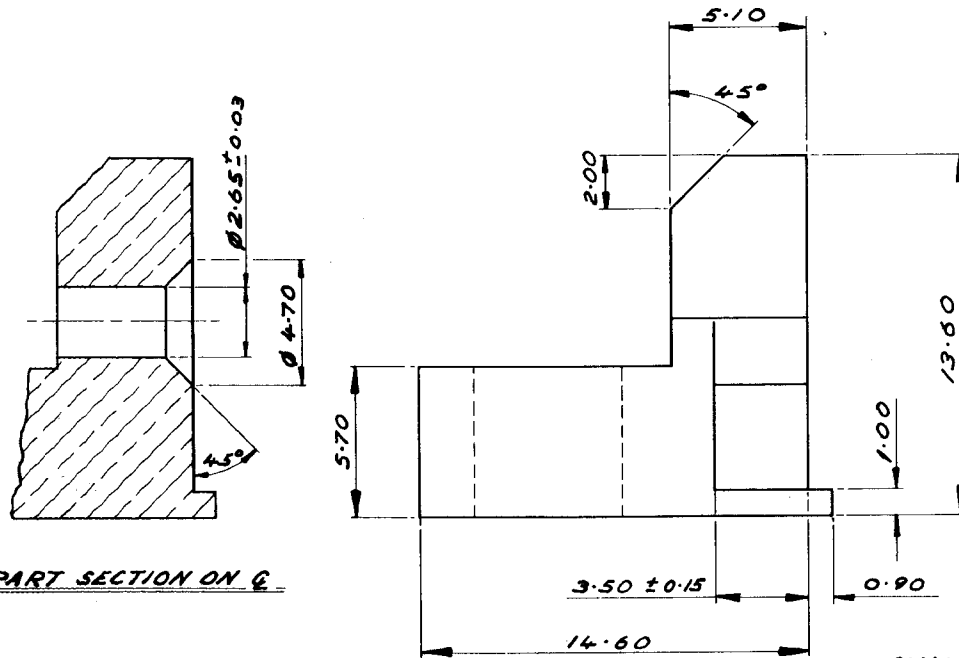
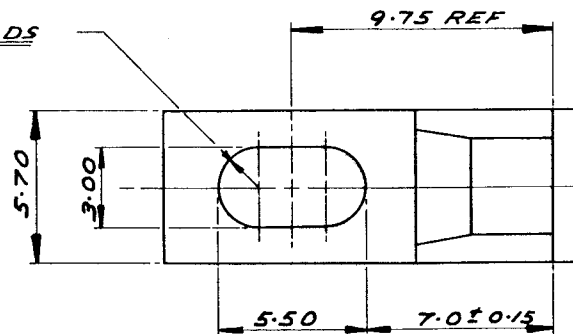


USED ON  
(ASSY. No.)

FULL RADS



PART SECTION ON G

TOOL DEVIATION NOT APPLICABLE TO REPLACEMENT TOOLS				
REF	PERMITTED DEVIATION	CRITICAL NO	DATE	REMARKS
▽	6.2/6.95	09/79	9/11/79	ALL CAVITIES

TWO WAY MOUNTING CAPABILITY

SMALL RAD PERMISSIBLE

2MP 501-1 AS MOULDED

3MP 501-2	
DISPATCH INSTRUCTIONS (WHEN END FEET ARE ORDERED)	
3MP 501-1 END FOOT (AS MOULDED) - 2 OFF	ORDERED AS 3MP 501-2
4MP 687 POSIDRIV TAPTITE PANHEAD SCREW 3mm x 6mm LONG - 2OFF	

ISS No.	DATE REQUEST No.	CHANGES	CHKD
E	8-1-79 B3660	REDRAWN & REDESIGNED	[Signature]
1	22-1-79 B3660	FOR PRODUCTION	[Signature]
2	27.6.83 B4960	DRG N <sup>o</sup> ADDED TO TAPTITE SCREW IN ZONE 7-3/K	[Signature]

TOOL No.			
TYPE OF CRITICAL	09/79		
DATE	9-1-79		
INFORMATION CONTAINED IN THIS DOCUMENT IS CONFIDENTIAL TO THE McMURDO INSTRUMENT CO. LTD. AND MAY NOT BE DISCLOSED OR REPRODUCED IN WHOLE OR PART WITHOUT THEIR WRITTEN CONSENT.			
DRAWN JB			
APPROVED [Signature]			
CHECKED [Signature] 9.1.79.			
SCALE 5:1			
THIRD ANGLE PROJECTION BS. 308 DIMENSIONS IN mm.			
LIMITS UNLESS STATED 1 DECIMAL PLACE ± 0.2 2 DECIMAL PLACES ± 0.1 ANGLE ± 2°			
DRG. No.			

3MP 501 - 1  
3MP 501 - 2

THE McMURDO INSTRUMENT CO. LTD.,  
RODNEY ROAD, FRATTON,  
PORTSMOUTH PO4 8SG  
Tel: 735361

MATERIAL SPEC.  
ARNITE  
TV 4 - 260 - NATURAL

FINISH  
MOULD POLISH

TITLE  
DEE RANGE  
END FOOT (9 15 25 37 WAY)