

# 32.768kHz CERAMIC SMD LVCMOS CRYSTAL OSCILLATOR



**ASAK**



Moisture Sensitivity Level (MSL) – This product is Hermetically Sealed and not Moisture Sensitive - MSL = N/A: Not Applicable

## FEATURES:

- 32.768kHz in 2.0 x 1.6 x 0.7mm package
- Seam sealed package assures high reliability performance
- Low current consumption 240  $\mu$ A max.
- Suitable for RoHS compliant reflow

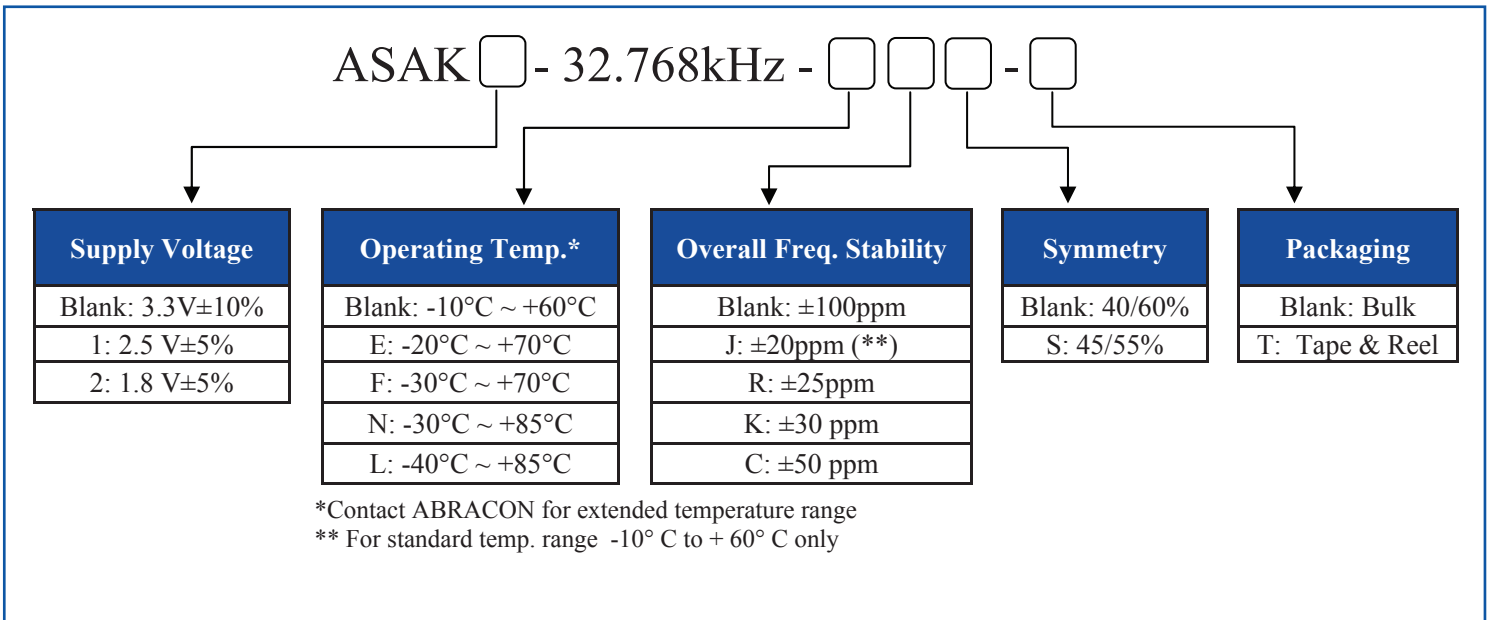
## APPLICATIONS:

- Laptop
- Digital camera
- Wireless LAN
- Bluetooth and mobile communication
- LCD
- PDA and MP3 player
- Electricity, gas and water metering

## STANDARD SPECIFICATIONS:

Parameters	Minimum	Typical	Maximum	Units	Notes
Frequency Range	32.768			kHz	
Operating Temperature	-10		+60	$^{\circ}$ C	See options
Storage Temperature	-55		+125	$^{\circ}$ C	
Overall Frequency Stability*	-100		+100	ppm	See options
Supply Voltage (Vdd)	2.97	3.3	3.63	V	Standard
	2.375	2.5	2.625		Option 1
	1.71	1.8	1.89		Option 2
Supply Current (I <sub>dd</sub> )		120	240	$\mu$ A	
Output Load			15	pF	LVCMOS
Output Voltage	V <sub>OH</sub>	0.9*Vdd		V	
	V <sub>OL</sub>		0.1*Vdd		
Tri-state Function	"1" (V <sub>IH</sub> $\geq$ 0.7*Vdd) : Oscillation "0" (V <sub>IL</sub> $\leq$ 0.3*Vdd) : Hi Z				
Aging	-3		+3	ppm	@+25 $^{\circ}$ C First year
Symmetry @1/2Vdd	40	50	60	%	Standard
	45	50	55		Option S
Start-up Time			5	ms	
Rise/Fall Time (Tr/Tf)			60	ns	
Disable Current			10	$\mu$ A	

## OPTIONS AND PART IDENTIFICATION: (Left blank if standard)





**ASAK**

**Pb** | RoHS/RoHS II Compliant

## OUTLINE DIMENSIONS:

**Dimensions: mm**

Recommended Land Pattern

Note: Recommend using an approximately 0.01uF bypass capacitor between PIN 2 and 4.

PIN #	Function
1	Enable/Disable
2	GND
3	Output
4	Vdd

## REFLOW PROFILE:

(A) Preheating Area	180±10°C, 90±30 seconds
(B) Heating Area	220±10°C, 30 seconds max.
(C) Peak Temperature	260°C, 10 seconds max.
Ramp Rate	3°C/second max.



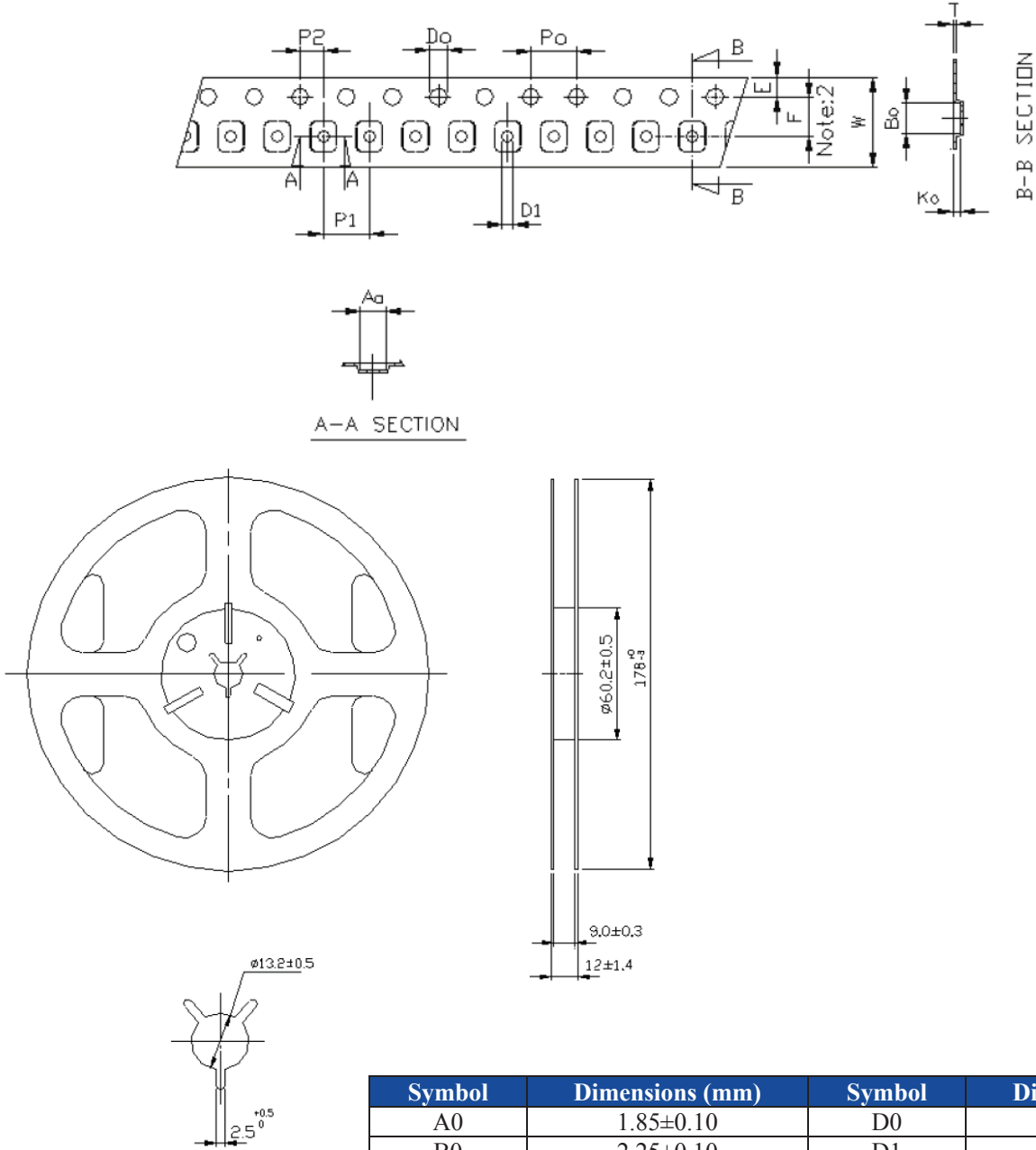
2.0 x 1.6 x 0.7mm

ASAK

RoHS/RoHS II Compliant

## TAPE & REEL:

T= Tape and reel (1,000pcs/reel)



Dimensions: mm

Symbol	Dimensions (mm)	Symbol	Dimensions (mm)
A0	1.85±0.10	D0	1.50±0.05
B0	2.25±0.10	D1	1.05±0.05
K0	0.95±0.10	E	1.75±0.10
P0	4.0±0.10	F	3.50±0.05
P1	4.0±0.10	W	8.0±0.20
P2	2.0±0.05	T	0.25±0.05

**ATTENTION:** Abracon Corporation's products are COTS – Commercial-Off-The-Shelf products; suitable for Commercial, Industrial and, where designated, Automotive Applications. Abracon's products are not specifically designed for Military, Aviation, Aerospace, Life-dependant Medical applications or any application requiring high reliability where component failure could result in loss of life and/or property. For applications requiring high reliability and/or presenting an extreme operating environment, written consent and authorization from Abracon Corporation is required. Please contact Abracon Corporation for more information.