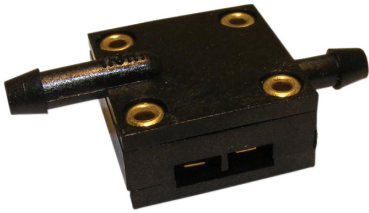


# Pressure Sensors

## PSF102 Series



RoHS  
Compliant



### Features:

- Field adjustable set point ranges — from 0.03" H<sub>2</sub>O to 25 psi
- High resolution / high accuracy field adjustment mechanism
- Many standard ports and mounting options
- Custom design and engineering available
- Miniature size, lightweight, low cost
- Dependable long life (20+ million cycles)
- Gold contact points
- PCB terminals available

### Specifications:

#### Mechanical

Standard Tolerance	Varies by option – see Set Point Options
Switch Type	SPST (single pole / single throw) normally open normally closed option
Switching Medium	Air; compatible fluids on “High” port side
Mechanical Life	More than 20 million cycles
Max. Operating Pressure	Varies by option — see Set Point Options
Operating Temperature	+40°F to +150°F (standard)   -46°F to +205°F +50° - 86°F (700 range)

#### Physical

Case Material	Polycarbonate (optional: Lexan 141, Ryton, Ultem®, Noryl®)
Porting Options	Many standard ports — see Low Port / High Port Options
Diaphragm Material	Polyurethane / Teflon® (other material options available)
Contact Points	Gold
Electrical Connections	Terminals – 0.187" × 0.020" spade (recessed) for use with quick disconnects uninsulated (ref. AMP Faston, #8-640917-1, 187 Series) (PCB terminals available)
Mounting	#4 Screws through mounting lugs; #2 Screws through eyelets; mounting clip available
Weight	Less than 10 grams

#### Electrical

Current Rating	Up to 40mA resistive
Operating Voltage	AC/DC – 30V or less with resistive load; 120V AC neon lamp load

[www.element14.com](http://www.element14.com)  
[www.farnell.com](http://www.farnell.com)  
[www.newark.com](http://www.newark.com)

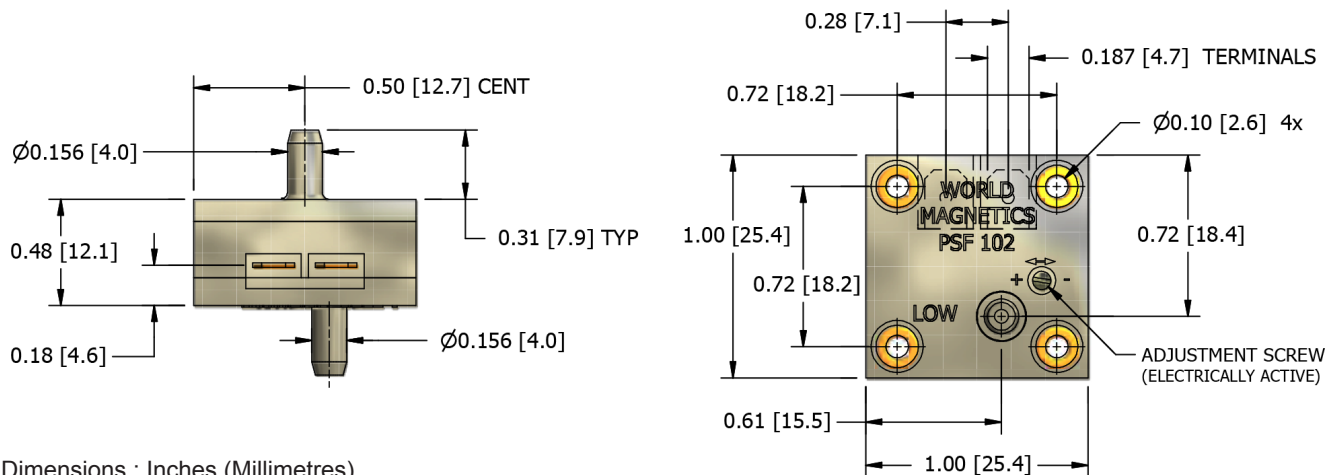


# Pressure Sensors

## PSF102 Series



### Diagram:

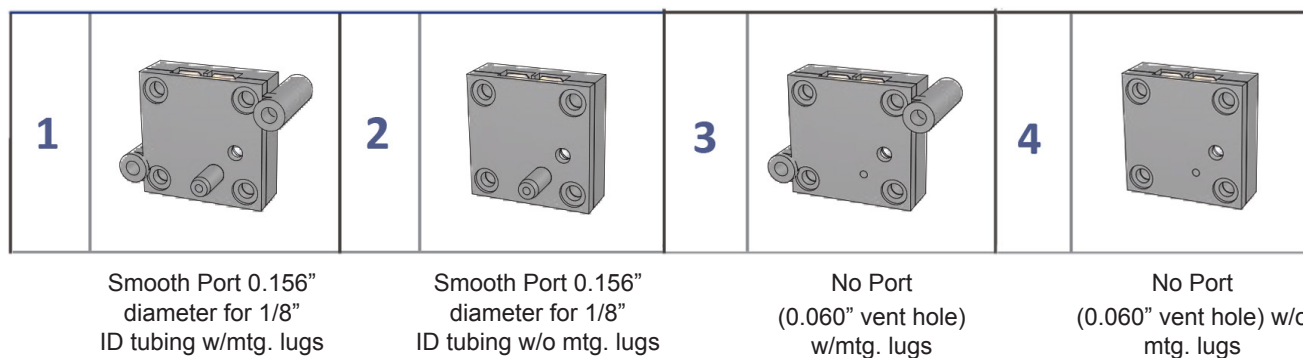


Dimensions : Inches (Millimetres)

### Set Point Options:

Characteristics	700	710	711	712	713	723	714
In. H <sub>2</sub> O	0.03 to 0.1	0.1 to 0.5	0.5 to 2	2 to 15	15 to 60	60 to 100	100 to 692
mbar	0.07 to 0.25	0.25 to 1.25	1.25 to 4.98	4.98 to 37.36	37.36 to 149.5	149.5 to 249	249 to 1723.5
psi	0.001 to 0.004	0.004 to 0.018	0.018 to 0.072	0.072 to 0.542	0.542 to 2.17	2.17 to 3.61	3.61 to 25
Max. Operating Pressure	2psi	4psi	8psi	8psi	15psi	30psi	30psi
Tolerance	±0.03" H <sub>2</sub> O	±0.1" H <sub>2</sub> O	±0.2" H <sub>2</sub> O	±0.5" H <sub>2</sub> O	±10%	±10%	±10%
Diaphragm Material	PUR only	Teflon only	PUR or Teflon	PUR or Teflon	PUR or Teflon	PUR or Teflon	PUR or Teflon

### Low Port Options:

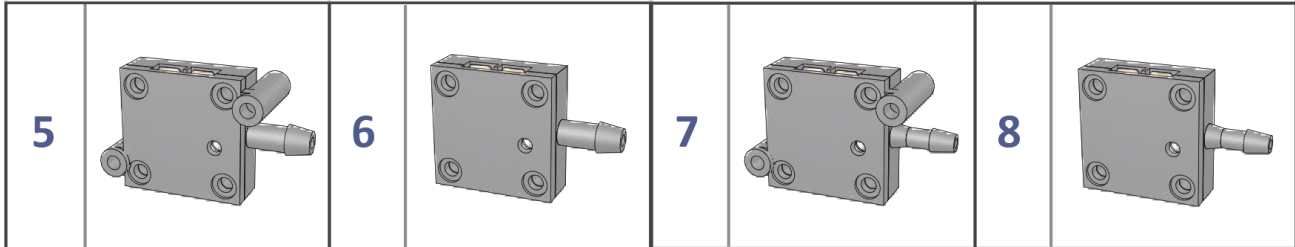


www.element14.com  
 www.farnell.com  
 www.newark.com



# Pressure Sensors

## PSF102 Series



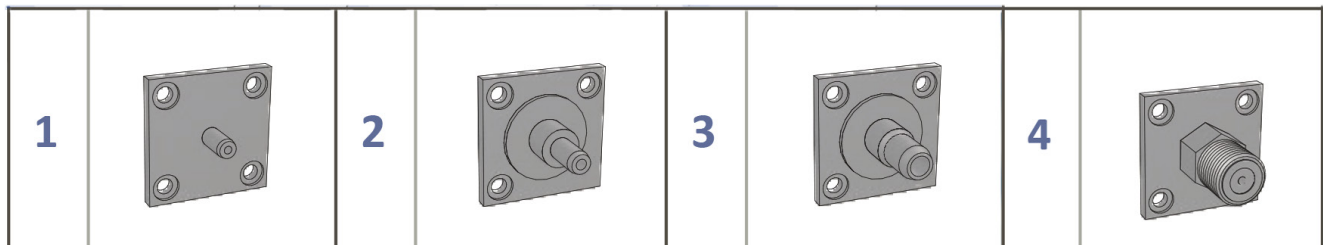
Barbed Port  
for 3/16" ID tubing  
w/mtg. lugs

Barbed Port  
for 3/16" ID tubing  
w/o mtg. lugs

Barbed Port  
for 1/8" ID tubing  
w/mtg. lugs

Barbed Port  
for 1/8" ID tubing  
w/o mtg. lugs

### High Port Options:

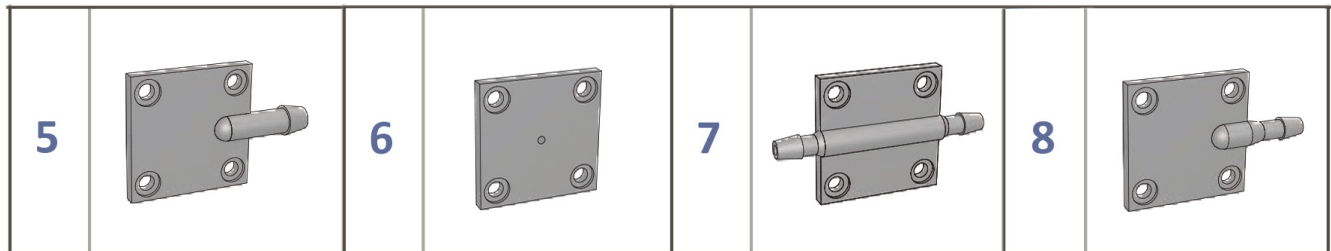


Smooth Port 0.156"  
diameter for 1/8" ID  
tubing

Smooth Port 0.187"  
diameter for 5/32" ID  
tubing

Smooth Port 0.25"  
diameter for 7/32" ID  
tubing

1/8" NPT Port

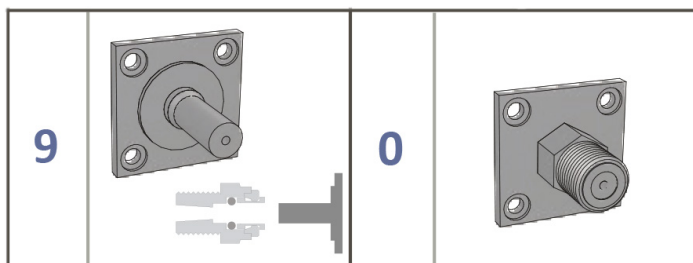


Barbed Port  
for 3/16" ID tubing

No Port  
(0.060" vent hole)

Flow-Thru Barbed  
Port for 1/8" ID tubing

Barbed Port  
for 1/8" ID tubing



1/4" Port  
for Quick Connect Fitting

M8 x 1.25 Port



# Pressure Sensors

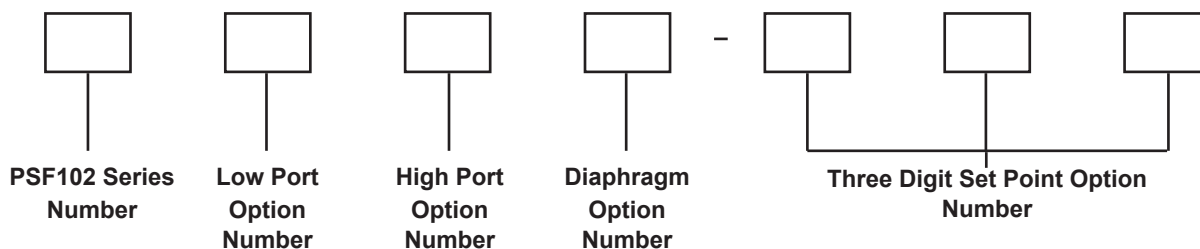
## PSF102 Series



### Diaphragm Options:

- 1 Polyurethane (standard)
- 2 Teflon (optional)

### Part Number Explanation:



**Important Notice :** This data sheet and its contents (the "Information") belong to the members of the Premier Farnell group of companies (the "Group") or are licensed to it. No licence is granted for the use of it other than for information purposes in connection with the products to which it relates. No licence of any intellectual property rights is granted. The Information is subject to change without notice and replaces all data sheets previously supplied. The Information supplied is believed to be accurate but the Group assumes no responsibility for its accuracy or completeness, any error in or omission from it or for any use made of it. Users of this data sheet should check for themselves the Information and the suitability of the products for their purpose and not make any assumptions based on information included or omitted. Liability for loss or damage resulting from any reliance on the Information or use of it (including liability resulting from negligence or where the Group was aware of the possibility of such loss or damage arising) is excluded. This will not operate to limit or restrict the Group's liability for death or personal injury resulting from its negligence. Multicomp is the registered trademark of the Group. © Premier Farnell plc 2012.

[www.element14.com](http://www.element14.com)  
[www.farnell.com](http://www.farnell.com)  
[www.newark.com](http://www.newark.com)

