A decorative graphic on the left side of the page featuring a dashed circle, a solid blue circle, and several overlapping curved lines in blue and grey.

Product Manual

Video 3.5 HDD

ST31000424CS

ST3500414CS

ST3320413CS

ST3250412CS

ST31000322CS

ST3500312CS

ST3320311CS

ST3250312CS

ST3160316CS

100529372

Rev. J

May 2013

Revision history

Revision	Date	Sheets affected or comments
Rev. A	01/07/09	Initial release as Pipeline HD.2.
Rev. B	04/29/09	1, 6, 17, 22, 24, 32 and 34.
Rev. C	05/19/09	fc, 1, 3, 8, 10-11, 19 and 32.
Rev. D	07/08/09	1, 5, 7, 9, 25 and 27-28.
Rev. E	10/29/09	Updated weight information in Tables 1-3 and physical specifications. Fixed Write DMA FUA Extended command.
		Minor text and formatting changes throughout.
Rev. F	01/05/10	Corrected 320GB model number. Updated DC power requirements (Table 4).
Rev. G	03/02/10	Updated document with new operating and non-operating specifications; added clearer references to consumer electronics; updated section 2.9.1; updated command words (4.3.1).
Rev. H	11/28/12	Updated Environmental Specs.
Rev. J	05/24/13	Updated product name to "Video 3.5 HDD" throughout.

Copyright © 2013 Seagate Technology LLC. All rights reserved. Printed in U.S.A.

Publication number: 100529372, Rev. J May 2013

Seagate, Seagate Technology and the Wave logo are registered trademarks of Seagate Technology LLC in the United States and/or other countries. Pipeline HD, SeaTools and SeaTDD are either trademarks or registered trademarks of Seagate Technology LLC or one of its affiliated companies in the United States and/or other countries. All other trademarks or registered trademarks are the property of their respective owners.

When referring to hard drive capacity, one gigabyte, or GB, equals one billion bytes and one terabyte, or TB, equals one trillion bytes. Your computer's operating system may use a different standard of measurement and report a lower capacity. In addition, some of the listed capacity is used for formatting and other functions, and thus will not be available for data storage. Seagate reserves the right to change, without notice, product offerings or specifications.

Contents

1.0	Introduction	1
1.1	About the Serial ATA interface	2
2.0	Drive specifications	3
2.1	Specification summary tables	3
2.2	Formatted capacity	10
2.2.1	LBA mode	10
2.3	Default logical geometry	10
2.4	Recording and interface technology	10
2.5	Physical characteristics	11
2.6	Seek time	11
2.7	Start/stop times	11
2.8	Power specifications	12
2.8.1	Power consumption	12
2.8.2	Conducted noise	13
2.8.3	Voltage tolerance	13
2.8.4	Power management modes	14
2.9	Environmental specifications	15
2.9.1	Drive case temperature	15
2.9.2	Temperature gradient	15
2.9.3	Humidity	15
2.9.4	Altitude	15
2.9.5	Shock	16
2.9.6	Vibration	16
2.10	Acoustics emissions	17
2.11	Electromagnetic immunity	17
2.12	Reliability	18
2.12.1	Annualized Failure Rate (AFR)	18
2.13	Agency certification	18
2.13.1	Safety certification	18
2.13.2	Electromagnetic compatibility	18
2.13.3	FCC verification	19
2.14	Environmental protection	20
2.14.1	European Union Restriction of Hazardous Substances (RoHS) Directive	20
2.14.2	China Restriction of Hazardous Substances (RoHS) Directive	20
2.15	Corrosive environment	20
3.0	Configuring and mounting the drive	21
3.1	Handling and static-discharge precautions	21
3.2	Configuring the drive	22
3.3	Serial ATA cables and connectors	22
3.4	Drive mounting	23
4.0	Serial ATA (SATA) interface	25
4.1	Hot-Plug compatibility	25
4.2	Serial ATA device plug connector pin definitions	26
4.3	Supported ATA commands	27
4.3.1	Identify Device command	29
4.3.2	Set Features command	33
4.3.3	S.M.A.R.T. commands	34
5.0	Seagate Technology support services	35

1.0 Introduction

This manual describes the functional, mechanical and interface specifications for the following Seagate Seagate Video 3.5 (formerly Pipeline® HD.2) model drive:

ST31000424CS	ST3500414CS	ST3320413CS	ST3250412CS	
ST31000322CS	ST3500312CS	ST3320311CS	ST3250312CS	ST3160316CS

These drives provide the following key features:

- High instantaneous (burst) data-transfer rates 3Gb/s default. Limit settings to 1.5Gb/s available via SMART Command Transport command.
- Perpendicular recording, Tunneling Magnetoresistive (TMR) recording heads and EPRML technology, for increased areal density.
- State-of-the-art cache and on-the-fly error-correction algorithms.
- Native Command Queuing with command ordering to increase performance in demanding applications.
- Full-track multiple-sector transfer capability without local processor intervention.
- Quiet operation.
- Support for S.M.A.R.T. drive monitoring and reporting.
- Supports latching SATA cables and connectors.
- Supports ATA8 Streaming commands.
- Supports Power-up in Standby feature.
- Supports Trusted Send/Receive Security Protocol.
- Worldwide Name (WWN) capability uniquely identifies the drive.

1.1 About the Serial ATA interface

The Serial ATA interface provides several advantages over the traditional (parallel) ATA interface. The primary advantages include:

- Easy installation and configuration with true plug-and-play connectivity. It is not necessary to set any jumpers or other configuration options.
- Thinner and more flexible cabling for improved enclosure airflow and ease of installation.
- Scalability to higher performance levels.

In addition, Serial ATA makes the transition from parallel ATA easy by providing legacy software support. Serial ATA was designed to allow you to install a Serial ATA host adapter and Serial ATA disk drive in your current system and expect all of your existing applications to work as normal.

The Serial ATA interface connects each disk drive in a point-to-point configuration with the Serial ATA host adapter. There is no master/slave relationship with Serial ATA devices like there is with parallel ATA. If two drives are attached on one Serial ATA host adapter, the host operating system views the two devices as if they were both “masters” on two separate ports. This essentially means both drives behave as if they are Device 0 (master) devices.

Note. The host adapter may, optionally, emulate a master/slave environment to host software where two devices on separate Serial ATA ports are represented to host software as a Device 0 (master) and Device 1 (slave) accessed at the same set of host bus addresses. A host adapter that emulates a master/slave environment manages two sets of shadow registers. This is not a typical Serial ATA environment.

The Serial ATA host adapter and drive share the function of emulating parallel ATA device behavior to provide backward compatibility with existing host systems and software. The Command and Control Block registers, PIO and DMA data transfers, resets, and interrupts are all emulated.

The Serial ATA host adapter contains a set of registers that shadow the contents of the traditional device registers, referred to as the Shadow Register Block. All Serial ATA devices behave like Device 0 devices. For additional information about how Serial ATA emulates parallel ATA, refer to the “Serial ATA International Organization: Serial ATA Revision 2.6”. The specification can be downloaded from www.sata-io.org.

2.0 Drive specifications

Unless otherwise noted, all specifications are measured under ambient conditions, at 25°C, and nominal power. For convenience, the phrases *the drive* and *this drive* are used throughout this manual to indicate the following drive model:

ST31000424CS	ST3500414CS	ST3320413CS	ST3250412CS	
ST31000322CS	ST3500312CS	ST3320311CS	ST3250312CS	ST3160316CS

2.1 Specification summary tables

The specifications listed in the following tables are for quick reference. For details on specification measurement or definition, refer to the appropriate section of this manual.

Table 1: Drive specifications summary for 1000GB models

Drive specification	ST31000424CS	ST31000322CS
Formatted Capacity (512 bytes/sector)*	1000GB	
Guaranteed sectors	1,953,525,168	
Heads	4	
Disks	2	
Bytes per sector	512	
Default sectors per track	63	
Default read/write heads	16	
Default cylinders	16,383	
Recording density (max.)	1417kb/in	
Track density (avg.)	236 ktracks/in	
Areal density (avg.)	341.5Gb/in ²	
Spindle speed	5900 RPM	
Internal data transfer rate (max.)	1285Mb/s	
Sustained data transfer rate (max.)	120MB/s	
I/O data-transfer rate (max.)	300MB/s	
ATA data-transfer modes supported	PIO modes: 0 to4 Multiword DMA modes: 0 to2 Ultra DMA modes: 0 to 6	
Cache buffer	16MB	8MB
Height (max.)	26.1mm / 1.028 in	
Width (max.)	101.85mm / 4.010 in	
Length (max.)	146.99mm / 5.787 in	
Weight (typical)	615g / 1.356 lb	
Average latency	5.1ms	
Power-on to ready (typical)	<12s	
Standby to ready (typical)	<12s	
Track-to-track seek time (typical)	<1.0ms (read) <1.2ms (write)	
Average seek (typical)	<14.0ms read <15.0ms write	
Startup current 12V-peak (typical)	2.0A	
Voltage tolerance (including noise)	5V ± 5% 12V ± 10%	
Operating temperature (drive case temperature)	0° to 75°C	
Non-operating temperature (ambient)	-40° to 70°C	
Temperature gradient (max.)	20°C per hour (operating) 30°C per hour (non-operating)	
Relative humidity	5% to 90% (operating) 5% to 95% (non-operating)	
Relative humidity gradient (max.)	30% per hour	
Wet bulb temperature (max.)	37.7°C (operating) 40.0°C (non-operating)	
Altitude, operating	-60.96m to 3,048m (-200 ft to 10,000+ ft)	
Altitude, non-operating (below mean sea level, max.)	-60.96m to 12,192m (-200 ft to 40,000+ ft)	

Drive specification	ST31000424CS	ST31000322CS
Operational Shock (max.)	70 Gs at 2ms (read) 30 Gs at 2ms (write)	
Non-Operational Shock (max.)	350 Gs at 2ms	
Vibration, operating	5Hz to 22Hz: 0.25 Gs 22Hz to 350Hz: 0.50 Gs 350Hz to 500Hz: 0.25 Gs	
Vibration, non-operating	5Hz to 350Hz: 3.0 Gs 350Hz to 500Hz: 3.0 Gs	
Drive acoustics, sound power		
Idle**	2.1 bels (typical) 2.3 bels (max.)	
CE Seek Profile	2.4 bels (typical) 2.5 bels (max.)	
Nonrecoverable read errors	1 per 10 ¹⁵ bits read	
Annualized Failure Rate (AFR)	0.55%	
Warranty	To determine the warranty for a specific drive, use a web browser to access the following web page: support.seagate.com/customer/warranty_validation.jsp From this page, click on the "Verify Your Warranty" link. You will be asked to provide the drive serial number, model number (or part number) and country of purchase. The system will display the warranty information for your drive.	
Contact start-stop cycles	50,000 at 25°C, 50% rel. humidity	
Supports Hotplug operation per the Serial ATA Revision 2.6 specification	Yes	

*One Gbyte equals one billion bytes when referring to hard drive capacity. Accessible capacity may vary depending on operating environment and formatting.

**During periods of drive idle, some offline activity may occur according to the S.M.A.R.T. specification, which may increase acoustic and power to operational levels.

Table 2: Drive specifications summary for 500 and 320GB models

Drive specification	ST3500414CS	ST3500312CS	ST3320413CS	ST3320311CS
Formatted capacity (512 bytes/sector)*	500GB		320GB	
Guaranteed sectors	976,773,168		625,142,448	
Heads	2			
Disks	1			
Bytes per sector	512			
Default sectors per track	63			
Default read/write heads	16			
Default cylinders	16,383			
Recording density (max.)	1417kb/in			
Track density (avg)	236 ktracks/in			
Areal density(avg)	341.5Gb/in ²			
Spindle speed	5900 RPM			
Internal data transfer rate (max.)	1285 Mb/s			
Sustained data transfer rate (max.)	120 MB/s			
I/O data-transfer rate (max.)	300 MB/s			
ATA data-transfer modes supported	PIO modes 0–4 Multiword DMA modes 0–2 Ultra DMA modes 0–6			
Cache buffer	16MB	8MB	16MB	8MB
Height (max.)	20.20mm / 0.795 in			
Width (max.)	101.85mm / 4.010 in			
Length (max.)	146.99mm / 5.787 in			
Weight (typical)	420g / 0.926 lb			
Average latency	5.1ms			
Power-on to ready (typical)	<6s			
Standby to ready (typical)	<6s			
Track-to-track seek time (typical)	<1.0ms (read) <1.2ms (write)			
Average seek (typical)	<14.0ms (read) <15.0ms (write)			
Startup current (typical) 12V (peak)	2.0A			
Voltage tolerance (including noise)	5V ± 5% 12V ± 10%			
Operating temperature (drive case temperature)	0° to 75°C			
Non-operating temperature (ambient)	–40° to 70°C			
Temperature gradient (max.)	20°C per hour (operating) 30°C per hour (non-operating)			
Relative humidity	5% to 90% (operating) 5% to 95% (non-operating)			
Relative humidity gradient (max.)	30% per hour			
Wet bulb temperature (max.)	37.7°C (operating) 40.0°C (non-operating)			
Altitude, operating	–60.96m to 3,048m (–200 ft to 10,000+ ft)			
Altitude, non-operating (below mean sea level, max.)	–60.96m to 12,192m (–200 ft to 40,000+ ft)			

Drive specification	ST3500414CS	ST3500312CS	ST3320413CS	ST3320311CS
Operational Shock (max.)	70 Gs at 2ms			
Non-Operational Shock (max.)	350 Gs at 2ms			
Vibration, operating	5Hz to 22Hz: 0.25 Gs 22Hz to 350Hz: 0.50 Gs 350Hz to 500Hz: 0.25 Gs			
Vibration, non-operating	5Hz to 350 Hz: 3.0 Gs 350Hz to 500Hz: 3.0 Gs			
Drive acoustics, sound power				
Idle**	1.9 bels (typical) 2.1 bels (max.)			
CE Seek Profile	2.3 bels (typical) 2.4 bels (max.)			
Nonrecoverable read errors	1 per 10 ¹⁵ bits read			
Annualized Failure Rate (AFR)	0.55%			
Warranty	To determine the warranty for a specific drive, use a web browser to access the following web page: support.seagate.com/customer/warranty_validation.jsp From this page, click on the "Verify Your Warranty" link. You will be asked to provide the drive serial number, model number (or part number) and country of purchase. The system will display the warranty information for your drive.			
Contact start-stop cycles	50,000 at 25°C, 50% rel. humidity			
Supports Hotplug operation per the Serial ATA Revision 2.6 specification	Yes			

*One Gbyte equals one billion bytes when referring to hard drive capacity. Accessible capacity may vary depending on operating environment and formatting.

**During periods of drive idle, some offline activity may occur according to the S.M.A.R.T. specification, which may increase acoustic and power to operational levels.

Table 3: Drive specifications summary for 250 and 160GB models

Drive specification	ST3250412CS	ST3250312CS	ST3160316CS
Formatted capacity (512 bytes/sector)*	250GB		160GB
Guaranteed sectors	488,397,168		312,581,808
Heads	1		
Disks	1		
Bytes per sector	512		
Default sectors per track	63		
Default read/write heads	16		
Default cylinders	16,383		
Recording density (max.)	1417kb/in		
Track density (avg.)	236 ktracks/in		
Areal density (avg.)	341.5Gb/in ²		
Spindle speed	5900 RPM		
Internal data transfer rate (max.)	1285Mb/s		
Sustained data transfer rate (max.)	120MB/s		
I/O data-transfer rate (max.)	300MB/s		
ATA data-transfer modes supported	PIO modes 0–4 Multiword DMA modes 0–2 Ultra DMA modes 0–6		
Cache buffer	16MB	8MB	
Height (max.)	20.20mm / 0.795 in		
Width (max.)	101.85mm / 4.010 in		
Length (max.)	146.99mm / 5.787 in		
Weight (typical)	395g / 0.871 lb		
Average latency	5.1ms		
Power-on to ready (typical)	<6s		
Standby to ready (typical)	<6s		
Track-to-track seek time (typical)	<1.0ms (read) <1.2ms (write)		
Average seek (typical)	<14.0ms (read) <15.0ms (write)		
Startup current (typical) 12V (peak)	2.0A		
Voltage tolerance (including noise)	5V ± 5% 12V ± 10%		
Operating temperature (drive case temperature)	0° to 75°C		
Non-operating temperature (ambient)	–40° to 70°C		
Temperature gradient (max.)	20°C per hour (operating) 30°C per hour (non-operating)		
Relative humidity	5% to 90% (operating) 5% to 95% (non-operating)		
Relative humidity gradient (max.)	30% per hour		
Wet bulb temperature (max.)	37.7°C (operating) 40.0°C (non-operating)		
Altitude, operating	–60.96m to 3,048m (–200 ft to 10,000+ ft)		
Altitude, non-operating (below mean sea level, max.)	–60.96m to 12,192m (–200 ft to 40,000+ ft)		

Drive specification	ST3250412CS	ST3250312CS	ST3160316CS
Operational Shock (max.)	70 Gs at 2ms (read) 30 Gs at 2ms (write)		
Non-Operational Shock (max.)	350 Gs at 2ms		
Vibration, operating	5Hz to 22Hz: 0.25 Gs 22Hz to 350Hz: 0.50 Gs 350Hz to 500Hz: 0.25 Gs		
Vibration, non-operating	5Hz to 350Hz: 3.0 Gs 350Hz to 500Hz: 3.0 Gs		
Drive acoustics, sound power			
Idle**	1.9 bels (typical) 2.1 bels (max.)		
CE Seek Profile	2.3 bels (typical) 2.4 bels (max.)		
Nonrecoverable read errors	1 per 10 ¹⁵ bits read		
Annualized Failure Rate (AFR)	0.55%		
Warranty	To determine the warranty for a specific drive, use a web browser to access the following web page: support.seagate.com/customer/warranty_validation.jsp From this page, click on the "Verify Your Warranty" link. You will be asked to provide the drive serial number, model number (or part number) and country of purchase. The system will display the warranty information for your drive.		
Contact start-stop cycles	50,000 at 25°C, 50% rel. humidity		
Supports Hotplug operation per the Serial ATA Revision 2.6 specification	Yes		

*One Gbyte equals one billion bytes when referring to hard drive capacity. Accessible capacity may vary depending on operating environment and formatting.

**During periods of drive idle, some offline activity may occur according to the S.M.A.R.T. specification, which may increase acoustic and power to operational levels.

2.2 Formatted capacity

Model	Formatted capacity*	Guaranteed sectors	Bytes per sector
ST31000424CS ST31000322CS	1000GB	1,953,525,168	512
ST3500414CS ST3500312CS	500GB	976,773,168	
ST3320413CS ST3320311CS	320GB	625,142,448	
ST3250412CS ST3250312CS	250GB	488,397,168	
ST3160316CS	160GB	312,581,808	

*One Gbyte equals one billion bytes when referring to hard drive capacity. Accessible capacity may vary depending on operating environment and formatting.

2.2.1 LBA mode

When addressing the drive in LBA mode, all blocks (sectors) are consecutively numbered from 0 to $n-1$, where n is the number of guaranteed sectors as defined above.

Refer to Section 4.3.1, "Identify Device command" (words 60-61 and 100-103) for additional information about 48-bit addressing support of drives with capacities over 137GB.

2.3 Default logical geometry

Cylinders	Read/write heads	Sectors per track
16,383	16	63

2.4 Recording and interface technology

	All models
Interface	Serial ATA (SATA)
Recording method	Perpendicular
Recording density (max.)	1417kb/in
Track density (ktracks/inch avg)	236 ktracks/in
Areal density (Gbits/inch ² avg)	341.5Gb/in ²
Spindle speed (RPM)	5900 (+/- 0.2%)
Internal data transfer rate (Mb/s max.)	1285Mb/s
Sustained data transfer rate (MB/s max.)	120MB/s
I/O data-transfer rate (MB/s max.)	300MB/s

2.5 Physical characteristics

	1000GB model	500, 320, 250 and 160GB models
Maximum height	26.1mm / 1.028 in	20.20mm / 0.794 in
Maximum width	101.85mm / 4.010 in	
Maximum length	146.99mm / 5.787 in	
Typical weight	615g / 1.356 lb	500 and 320GB models 420g / 0.926 lb 250 and 160GB models 395g / 0.871 lb
Cache buffer ST31000424CS, ST3500414CS, ST3320413CS and ST3250412CS ST31000322CS, ST3500312CS, ST3320311CS, ST3250312CS and ST3160316CS	16MB (16,384KB) 8MB (8,192KB)	

2.6 Seek time

Seek measurements are taken with nominal power at 25°C ambient temperature. All times are measured using drive diagnostics. The specifications in the table below are defined as follows:

- Track-to-track seek time is an average of all possible single-track seeks in both directions.
- Average seek time is a true statistical random average of at least 5,000 measurements of seeks between random tracks, less overhead.

Typical seek times (ms)	Read	Write
Track-to-track	<1.0	<1.2
Average	<14.0	<15.0

*Measured in performance mode.

**Measured in quiet mode.

Note. These drives are designed to consistently meet the seek times represented in this manual. Physical seeks, regardless of mode (such as track-to-track and average), are expected to meet the noted values. However, due to the manner in which these drives are formatted, benchmark tests that include command overhead or measure logical seeks may produce results that vary from these specifications.

2.7 Start/stop times

Start/stop times (s)	1000GB models	500, 320, 250 and 160GB models
Power-on to Ready (typical)	<12.0	<6.0
Standby to Ready (typical)	<12.0	<6.0
Ready to spindle stop (max.)	10	

2.8 Power specifications

The drive receives DC power (5V or 12V) through a native SATA power connector. Refer to Figure 2 on page 22.

2.8.1 Power consumption

Power requirements for the drives are listed in the table on page 9. Typical power measurements are based on an average of drives tested, under nominal conditions, using 5V and 12V input voltage at 25°C ambient temperature.

- **Spinup power**

Spinup power is measured from the time of power-on to the time that the drive spindle reaches operating speed.

- **Idle mode power**

Idle mode power is measured with the drive up to speed, with servo electronics active and with the heads in a random track location.

- **Operating (CE seek profile)**

Operating power is measured by simulating a typical PVR operating environment, using a 50% write, 50% read algorithm.

- **Standby mode**

During Standby mode, the drive accepts commands, but the drive is not spinning, and the servo and read/write electronics are in power-down mode.

Table 4: DC power requirements

Power dissipation (2 disk models)	Avg (watts 25° C)	Avg 5V typ. amps	Avg 12V typ. amps
Spinup	—	—	2.0 (peak)
Idle*	3.834	0.223	0.226
Operating	4.107	0.295	0.219
Standby	0.699	0.121	0.008
Sleep	0.699	0.121	0.008

Power dissipation (1 disk models)	Avg (watts 25° C)	Avg 5V typ. amps	Avg 12V typ. amps
Spinup	—	—	2.0 (peak)
Idle*	3.008	0.248	0.147
Operating	3.445	0.316	0.155
Standby	0.707	0.127	0.006
Sleep	0.707	0.127	0.006

*During periods of drive idle, some offline activity may occur according to the S.M.A.R.T. specification, which may increase acoustic and power to operational levels.

Note. Drive supports PHY layer power management. When enabled, a power savings of ~300mw can be achieved in Idle, Standby and Sleep modes.

2.8.1.1 Typical current profiles

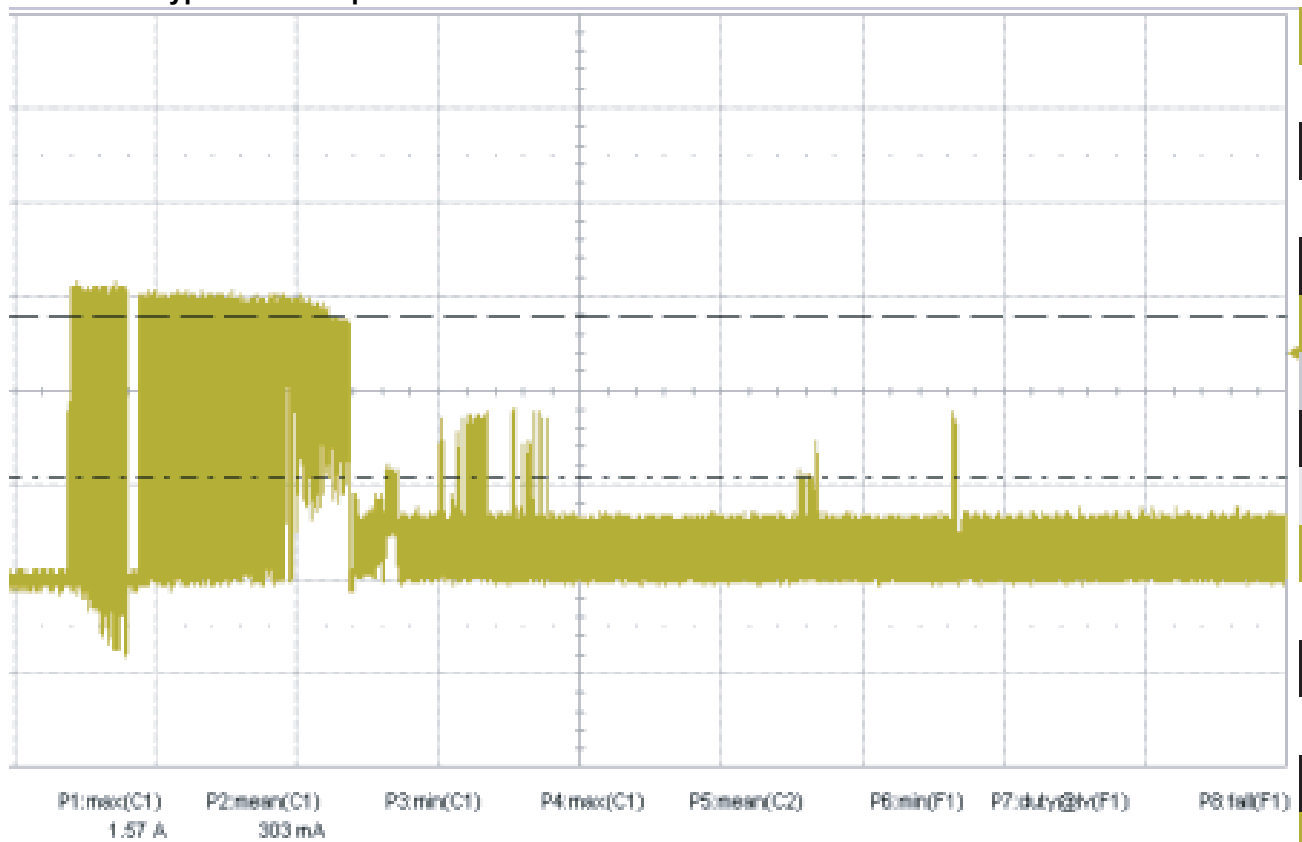


Figure 1. Typical 12V startup and operation current profile

2.8.2 Conducted noise

Input noise ripple is measured at the host system power supply across an equivalent 80-ohm resistive load on the 12V line or an equivalent 15-ohm resistive load on the 5V line.

- Using 12V power, the drive is expected to operate with a maximum of 120mV peak-to-peak square-wave injected noise at up to 10MHz.
- Using 5V power, the drive is expected to operate with a maximum of 100mV peak-to-peak square-wave injected noise at up to 10MHz.

Note. Equivalent resistance is calculated by dividing the nominal voltage by the typical RMS read/write current.

2.8.3 Voltage tolerance

Voltage tolerance (including noise):

- 5V \pm 5%
- 12V \pm 10%

2.8.4 Power management modes

The drive provides programmable power management to provide greater energy efficiency. In most systems, you can control power management through the system setup program. The drive features the following power-management modes:

Power modes	Heads	Spindle	Buffer
Active	Tracking	Rotating	Enabled
Idle	Tracking	Rotating	Enabled
Standby	Parked	Stopped	Enabled
Sleep	Parked	Stopped	Disabled

- **Active mode**

The drive is in Active mode during the read/write and seek operations.

- **Idle mode**

The buffer remains enabled, and the drive accepts all commands and returns to Active mode any time disk access is necessary.

- **Standby mode**

The drive enters Standby mode when the host sends a Standby Immediate command. If the host has set the standby timer, the drive can also enter Standby mode automatically after the drive has been inactive for a specifiable length of time. The standby timer delay is established using a Standby or Idle command. In Standby mode, the drive buffer is enabled, the heads are parked and the spindle is at rest. The drive accepts all commands and returns to Active mode any time disk access is necessary.

- **Sleep mode**

The drive enters Sleep mode after receiving a Sleep command from the host. In Sleep mode, the drive buffer is disabled, the heads are parked and the spindle is at rest. The drive leaves Sleep mode after it receives a Hard Reset or Soft Reset from the host. After receiving a reset, the drive exits Sleep mode and enters Standby mode with all current translation parameters intact.

- **Idle and Standby timers**

Each time the drive performs an Active function (read, write or seek), the standby timer is reinitialized and begins counting down from its specified delay times to zero. If the standby timer reaches zero before any drive activity is required, the drive makes a transition to Standby mode. In both Idle and Standby mode, the drive accepts all commands and returns to Active mode when disk access is necessary.

2.9 Environmental specifications

This section provides the temperature, humidity, shock, and vibration specifications. Ambient temperature is defined as the temperature of the environment immediately surrounding the drive. Above 1000ft. (305 meters), the maximum temperature is derated linearly by 1°C every 1000 ft.

2.9.1 Drive case temperature

Drive case temperature should be measured at the location indicated in Figure 3 on page 23.

Operating (drive case temperature)	0° to 75°C (32° to 167°F)
Non-operating (ambient *)	-40° to 70°C (-40° to 158°F)

* Ambient temperature is defined as the temperature of the environment immediately surrounding the drive.

2.9.2 Temperature gradient

Operating	20°C per hour (68°F per hour max.), without condensation
Non-operating	30°C per hour (86°F per hour max.)

2.9.3 Humidity

2.9.3.1 Relative humidity

Operating	5% to 90% noncondensing (30% per hour max.)
Non-operating	5% to 95% noncondensing (30% per hour max.)

2.9.3.2 Wet bulb temperature

Operating	37.7°C (99.9°F max.)
Non-operating	40.0°C (104°F max.)

2.9.4 Altitude

Operating	-60.96m to 3,048m (-200 ft to 10,000+ ft)
Non-operating	-60.96m to 12,192m (-200 ft to 40,000+ ft)

Note.

The recommended storage period.

- One year under controlled conditions of 34°C; 90% RH or less.
- 90 days in uncontrolled storage

2.9.5 Shock

All shock specifications assume that the drive is mounted securely with the input shock applied at the drive mounting screws. Shock may be applied in the X, Y or Z axis.

2.9.5.1 Operating shock

The drives comply with the performance levels specified in this document when subjected to a maximum operating shock of 70 Gs (Read) and 30 Gs (Write) based on half-sine shock pulses of 2 msec. Shocks should not be repeated more than two times per second.

2.9.5.2 Non-operating shock

The non-operating shock level that the drive can experience without incurring physical damage or degradation in performance when subsequently put into operation is 350 Gs based on a nonrepetitive half-sine shock pulse of 2 msec duration.

2.9.6 Vibration

All vibration specifications assume that the drive is mounted securely with the input vibration applied at the drive mounting screws. Vibration may be applied in the X, Y or Z axis.

2.9.6.1 Operating vibration

The maximum vibration levels that the drive may experience while meeting the performance standards specified in this document are specified below

5Hz to 22Hz	0.25 Gs
22Hz to 350Hz	0.50 Gs
350Hz to 500Hz	0.25 Gs

2.9.6.2 Non-operating vibration

The maximum non-operating vibration levels that the drive may experience without incurring physical damage or degradation in performance when subsequently put into operation are specified below.

5Hz to 350Hz	3.0 Gs
350Hz to 500Hz	3.0 Gs

2.10 Acoustics emissions

Drive emission of sound is measured consistent with the ECMA-74 and its referenced standards. Testing is conducted at room temperature (approximately 25 degrees C). Emission levels are reported as the total A-weighted sound power levels for, steady state, idle and active (seek) modes of operations.

Table 5: Drive A-weighted Sound Power Levels (SWL, BA)

	Idle ^[1]	CE seek profile
1000GB models	2.1 bels (typ.) 2.3 bels (max.)	2.4 bels (typ.) 2.5 bels (max.)
500, 320, 250 and 160GB models	1.9 bels (typ.) 2.1 bels (max.)	2.3 bels (typ.) 2.4 bels (max.)

[1] During periods of drive idle, some offline activity may occur according to the S.M.A.R.T. specification, which may increase acoustic and power to operational levels.

Test for Prominent Discrete Tones (PDTs)

Seagate follows the ECMA-74 standards for measurement and identification of PDTs. An exception to this process is the use of the absolute threshold of hearing. Seagate uses the lower limit for the threshold curve* to discern tone audibility and to compensate for the inaudible components of sound prior to computation of tone ratios according to Annex D of the ECMA-74 standards.

* Defined as the median curve given by ISO 389-7 (Tf curve) minus 10dB at all frequencies.

2.11 Electromagnetic immunity

When properly installed in a representative host system, the drive operates without errors or degradation in performance when subjected to the radio frequency (RF) environments defined in the following table:

Table 6: Radio frequency environments

Test	Description	Performance level	Reference standard
Electrostatic discharge	Contact, HCP, VCP: ± 4 kV; Air: ± 8 kV	B	EN61000-4-2: 95
Radiated RF immunity	80 to 1,000MHz, 3V/m, 80% AM with 1kHz sine 900MHz, 3V/m, 50% pulse modulation @ 200Hz	A	EN61000-4-3: 96 ENV50204: 95
Electrical fast transient	± 1kV on AC mains, ± 0.5kV on external I/O	B	EN61000-4-4: 95
Surge immunity	± 1kV differential, ± 2kV common, AC mains	B	EN61000-4-5: 95
Conducted RF immunity	150kHz to 80MHz, 3Vrms, 80% AM with 1kHz sine	A	EN61000-4-6: 97
Voltage dips, interrupts	0% open, 5 seconds 0% short, 5 seconds 40%, 0.10 seconds 70%, 0.01 seconds	C C C B	EN61000-4-11: 94

2.12 Reliability

2.12.1 Annualized Failure Rate (AFR)

The product will achieve an Annualized Failure Rate (AFR) of 0.55% when operated in an environment of ambient air temperatures of 25°C. Operation at temperatures outside the specifications in Section 2.9 may increase the product AFR. AFR is a population statistics that is not relevant to individual units.

AFR specifications are based on the following assumptions for consumer electronics environments:

- 8760 power-on-hours per year
- 10,000 average motor start/stop cycles per year
- Operations at nominal voltages
- Temperatures outside the specifications in Section 2.9 may reduce the product reliability.
- Normal I/O duty cycle for consumer electronics environments. Operation at excessive I/O duty cycle may degrade product reliability.

The consumer electronics environment of power-on-hours, temperature, and I/O duty cycle affect the product AFR. The AFR will be degraded if used in an enterprise application.

Nonrecoverable read errors	1 per 10 ¹⁵ bits read, max.
Annualized Failure Rate (AFR)	0.55% (nominal power, 25°C ambient temperature)
Contact start-stop cycles	50,000 cycles (at nominal voltage and temperature, with 60 cycles per hour and a 50% duty cycle)
Warranty	To determine the warranty for a specific drive, use a web browser to access the following web page: support.seagate.com/customer/warranty_validation.jsp From this page, click on the “Verify Your Warranty” link. You will be asked to provide the drive serial number, model number (or part number) and country of purchase. The system will display the warranty information for your drive.
Preventive maintenance	None required.

2.13 Agency certification

2.13.1 Safety certification

These products are certified to meet the requirements of UL60950-1, CSA60950-1 and EN60950 and so marked as to the certify agency.

2.13.2 Electromagnetic compatibility

Hard drives that display the CE mark comply with the European Union (EU) requirements specified in the Electromagnetic Compatibility Directive (2004/108/EC) as put into place 20 July 2007. Testing is performed to the levels specified by the product standards for Information Technology Equipment (ITE). Emission levels are defined by EN 55022, Class B and the immunity levels are defined by EN55024.

Drives are tested in representative end-user systems. Although CE-marked Seagate drives comply with the directives when used in the test systems, we cannot guarantee that all systems will comply with the directives. The drive is designed for operation inside a properly designed enclosure, with properly shielded I/O cable (if necessary) and terminators on all unused I/O ports. Computer manufacturers and system integrators should confirm EMC compliance and provide CE marking for their products.

Korean RRL

If these drives have the Korean Communications Commission (KCC) logo, they comply with paragraph 1 of Article 11 of the Electromagnetic Compatibility control Regulation and meet the Electromagnetic Compatibility (EMC) Framework requirements of the Radio Research Laboratory (RRL) Communications Commission, Republic of Korea.

These drives have been tested and comply with the Electromagnetic Interference/Electromagnetic Susceptibility (EMI/EMS) for Class B products. Drives are tested in a representative, end-user system by a Korean-recognized lab.

- Family name: Pipeline HD.2 Series / Video 3.5 HDD
- Certificate number: STX-PipelineHD2 (B) / in progress

Australian C-Tick (N176)

If these models have the C-Tick marking, they comply with the Australia/New Zealand Standard AS/NZ CISPR22 and meet the Electromagnetic Compatibility (EMC) Framework requirements of the Australian Communication Authority (ACA).

2.13.3 FCC verification

These drives are intended to be contained solely within a personal computer or similar enclosure (not attached as an external device). As such, each drive is considered to be a subassembly even when it is individually marketed to the customer. As a subassembly, no Federal Communications Commission verification or certification of the device is required.

Seagate has tested this device in enclosures as described above to ensure that the total assembly (enclosure, disk drive, motherboard, power supply, etc.) does comply with the limits for a Class B computing device, pursuant to Subpart J, Part 15 of the FCC rules. Operation with noncertified assemblies is likely to result in interference to radio and television reception.

Radio and television interference. This equipment generates and uses radio frequency energy and if not installed and used in strict accordance with the manufacturer's instructions, may cause interference to radio and television reception.

This equipment is designed to provide reasonable protection against such interference in a residential installation. However, there is no guarantee that interference will not occur in a particular installation. If this equipment does cause interference to radio or television, which can be determined by turning the equipment on and off, you are encouraged to try one or more of the following corrective measures:

- Reorient the receiving antenna.
- Move the device to one side or the other of the radio or TV.
- Move the device farther away from the radio or TV.
- Plug the computer into a different outlet so that the receiver and computer are on different branch outlets.

If necessary, you should consult your dealer or an experienced radio/television technician for additional suggestions. You may find helpful the following booklet prepared by the Federal Communications Commission: *How to Identify and Resolve Radio-Television Interference Problems*. This booklet is available from the Superintendent of Documents, U.S. Government Printing Office, Washington, DC 20402. Refer to publication number 004-000-00345-4.

2.14 Environmental protection

Seagate designs its products to meet environmental protection requirements worldwide, including regulations restricting certain chemical substances.

2.14.1 European Union Restriction of Hazardous Substances (RoHS) Directive

The European Union Restriction of Hazardous Substances (RoHS) Directive, restricts the presence of chemical substances, including Lead, Cadmium, Mercury, Hexavalent Chromium, PBB and PBDE, in electronic products, effective July 2006. This drive is manufactured with components and materials that comply with the RoHS Directive.

2.14.2 China Restriction of Hazardous Substances (RoHS) Directive 中国限制危险物品的指令

This product has an Environmental Protection Use Period (EPUP) of 20 years. The following table contains information mandated by China's "Marking Requirements for Control of Pollution Caused by Electronic Information Products" Standard.



该产品具有20年的环境保护使用周期（EPUP）。下表包含了中国“电子产品所导致的污染的控制的记号要求”所指定的信息。

Name of Parts 部件名称	Toxic or Hazardous Substances or Elements 有毒有害物质或元素					
	Lead 铅 (Pb)	Mercury 汞 (Hg)	Cadmium 镉 (Cd)	Hexavalent Chromium 六价铬 (Cr6+)	Polybrominated Biphenyl 多溴联苯 (PBB)	Polybrominated Diphenyl Ether 多溴二苯醚 (PBDE)
PCBA	X	O	O	O	O	O
HDA	X	O	O	O	O	O

"O" indicates the hazardous and toxic substance content of the part (at the homogenous material level) is lower than the threshold defined by the China RoHS MCV Standard.

“O”表示该部件（于同类物品程度上）所含的危险和有毒物质低于中国RoHS MCV标准所定义的门槛值。

"X" indicates the hazardous and toxic substance content of the part (at the homogenous material level) is over the threshold defined by the China RoHS MCV Standard.

“X”表示该部件（于同类物品程度上）所含的危险和有毒物质超出中国RoHS MCV标准所定义的门槛值。

2.15 Corrosive environment

Seagate electronic drive components pass accelerated corrosion testing equivalent to 10 years exposure to light industrial environments containing sulfurous gases, chlorine and nitric oxide, classes G and H per ASTM B845. However, this accelerated testing cannot duplicate every potential application environment. Users should use caution exposing any electronic components to uncontrolled chemical pollutants and corrosive chemicals as electronic drive component reliability can be affected by the installation environment. The silver, copper, nickel and gold films used in Seagate products are especially sensitive to the presence of sulfide, chloride, and nitrate contaminants. Sulfur is found to be the most damaging. In addition, electronic components should never be exposed to condensing water on the surface of the printed circuit board assembly (PCBA) or exposed to an ambient relative humidity greater than 95%. Materials used in cabinet fabrication, such as vulcanized rubber, that can outgas corrosive compounds should be minimized or eliminated. The useful life of any electronic equipment may be extended by replacing materials near circuitry with sulfide-free alternatives.

3.0 Configuring and mounting the drive

This section contains the specifications and instructions for configuring and mounting the drive.

3.1 Handling and static-discharge precautions

After unpacking, and before installation, the drive may be exposed to potential handling and electrostatic discharge (ESD) hazards. Observe the following standard handling and static-discharge precautions:

Caution:

- Before handling the drive, put on a grounded wrist strap, or ground yourself frequently by touching the metal chassis of a computer that is plugged into a grounded outlet. Wear a grounded wrist strap throughout the entire installation procedure.
- Handle the drive by its edges or frame *only*.
- The drive is extremely fragile—handle it with care. Do not press down on the drive top cover.
- Always rest the drive on a padded, antistatic surface until you mount it in the computer.
- Do not touch the connector pins or the printed circuit board.
- Do not remove the factory-installed labels from the drive or cover them with additional labels. Removal voids the warranty. Some factory-installed labels contain information needed to service the drive. Other labels are used to seal out dirt and contamination.

3.2 Configuring the drive

Each drive on the Serial ATA interface connects point-to-point with the Serial ATA host adapter. There is no master/slave relationship because each drive is considered a master in a point-to-point relationship. If two drives are attached on one Serial ATA host adapter, the host operating system views the two devices as if they were both “masters” on two separate ports. Both drives behave as if they are Device 0 (master) devices.

Serial ATA drives are designed for easy installation. It is not necessary to set any jumpers on the drive for proper operation; however, if you connect the drive and receive a “drive not detected” error, your SATA equipped motherboard or host adapter may use a chipset that does not support SATA speed auto negotiation. If you have a motherboard or host adapter that does not support auto negotiation the transfer rate can be limited to 1.5GB/s via the SMART Command Transport command.

3.3 Serial ATA cables and connectors

The Serial ATA interface cable consists of four conductors in two differential pairs, plus three ground connections. The cable size may be 30 to 26 AWG with a maximum length of one meter (39.37 inches). Refer to Table 7 for connector pin definitions. Either end of the SATA signal cable can be attached to the drive or host.

For direct backplane connection, the drive connectors are inserted directly into the host receptacle. The drive and the host receptacle incorporate features that enable the direct connection to be hot pluggable and blind mateable.

For installations which require cables, you can connect the drive as illustrated in Figure 2.

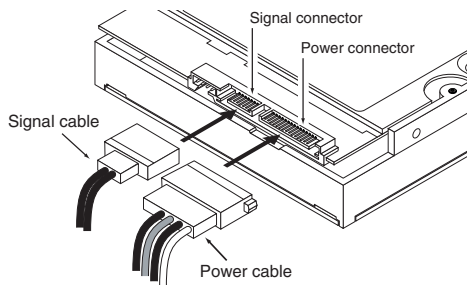


Figure 2. Attaching SATA cabling

Each cable is keyed to ensure correct orientation. Pipeline HD.2 Series SATA drives support latching SATA connectors.

3.4 Drive mounting

You can mount the drive in any orientation using four screws in the side-mounting holes or four screws in the bottom-mounting holes. Refer to Figure 3 for drive mounting dimensions. Follow these important mounting precautions when mounting the drive:

- Allow a minimum clearance of 0.030 inches (0.76mm) around the entire perimeter of the drive for cooling.
- Use only 6-32 UNC mounting screws.
- The screws should be inserted no more than 0.150 inches (3.81mm) into the bottom or side mounting holes.
- Do not overtighten the mounting screws (maximum torque: 6 inch-lb).

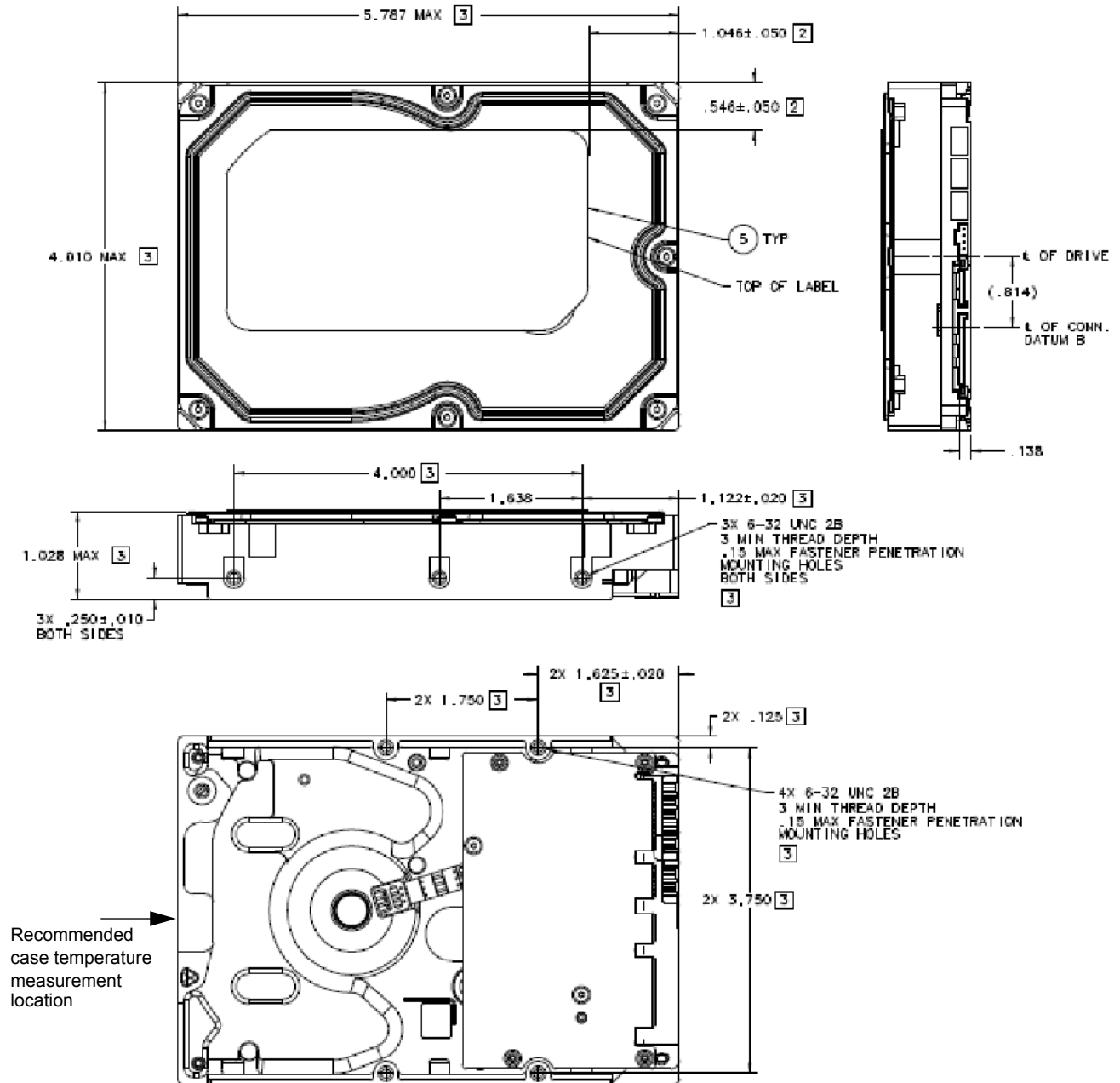


Figure 3. Mounting dimensions (for 1000GB models)

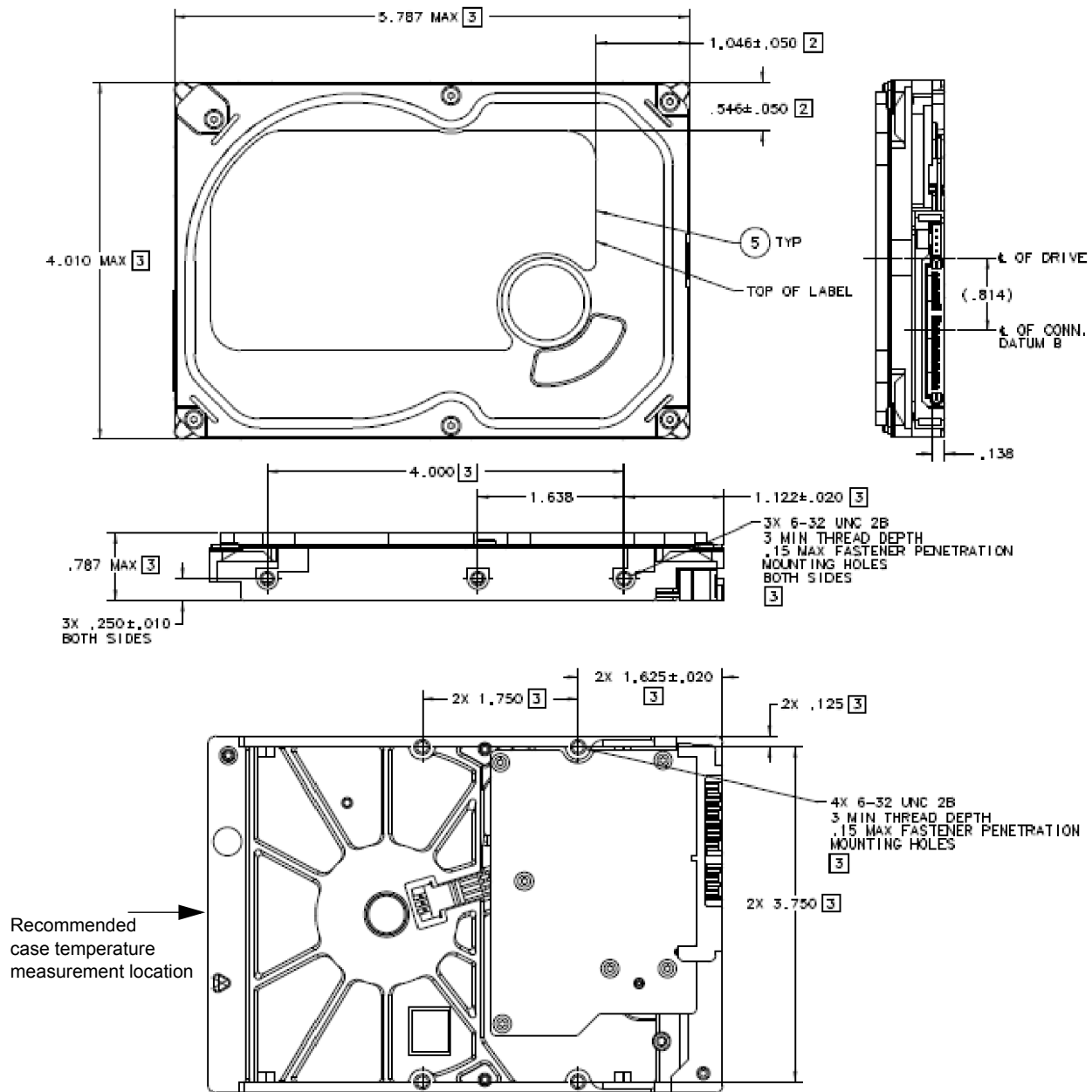


Figure 4. Mounting dimensions (for 500, 320, 250 and 160GB models)

4.0 Serial ATA (SATA) interface

These drives use the industry-standard Serial ATA interface that supports FIS data transfers. It supports ATA programmed input/output (PIO) modes 0–4; multiword DMA modes 0–2, and Ultra DMA modes 0–6.

For detailed information about the Serial ATA interface, refer to the “Serial ATA: High Speed Serialized AT Attachment” specification.

4.1 Hot-Plug compatibility

Pipeline HD.2 Series SATA drives incorporate connectors which enable you to hot plug these drives in accordance with the Serial ATA Revision 2.6 specification. This specification can be downloaded from www.serial-ata.org.

4.2 Serial ATA device plug connector pin definitions

Table 7 summarizes the signals on the Serial ATA interface and power connectors.

Table 7: Serial ATA connector pin definitions

Segment	Pin	Function	Definition
Signal	S1	Ground	2nd mate
	S2	A+	Differential signal pair A from Phy
	S3	A-	
	S4	Ground	2nd mate
	S5	B-	Differential signal pair B from Phy
	S6	B+	
	S7	Ground	2nd mate

Key and spacing separate signal and power segments

Power	P1	V ₃₃	3.3V power
	P2	V ₃₃	3.3V power
	P3	V ₃₃	3.3V power, pre-charge, 2nd mate
	P4	Ground	1st mate
	P5	Ground	2nd mate
	P6	Ground	2nd mate
	P7	V ₅	5V power, pre-charge, 2nd mate
	P8	V ₅	5V power
	P9	V ₅	5V power
	P10	Ground	2nd mate
	P11	Ground or LED signal	If grounded, drive does not use deferred spin
	P12	Ground	1st mate.
	P13	V ₁₂	12V power, pre-charge, 2nd mate
	P14	V ₁₂	12V power
	P15	V ₁₂	12V power

Notes:

- All pins are in a single row, with a 1.27mm (0.050 in) pitch.
- The comments on the mating sequence apply to the case of backplane blindmate connector only. In this case, the mating sequences are:
 - the ground pins P4 and P12.
 - the pre-charge power pins and the other ground pins.
 - the signal pins and the rest of the power pins.
- There are three power pins for each voltage. One pin from each voltage is used for pre-charge when installed in a blind-mate backplane configuration.
- All used voltage pins (V_x) must be terminated.

4.3 Supported ATA commands

The following table lists Serial ATA standard commands that the drive supports. For a detailed description of the ATA commands, refer to the Serial ATA International Organization: Serial ATA Revision 2.6 (<http://www.sata-io.org>). See “S.M.A.R.T. commands” on page 34 for details and subcommands used in the S.M.A.R.T. implementation.

Table 8: Supported ATA commands

Command name	Command code (in hex)
Check Power Mode	E5 _H
Configure Stream	51 _H
Device Configuration Freeze Lock	B1 _H / C1 _H
Device Configuration Identify	B1 _H / C2 _H
Device Configuration Restore	B1 _H / C0 _H
Device Configuration Set	B1 _H / C3 _H
Device Reset	08 _H
Download Microcode	92 _H
Execute Device Diagnostics	90 _H
Flush Cache	E7 _H
Flush Cache Extended	EA _H
Format Track	50 _H
Identify Device	EC _H
Idle	E3 _H
Idle Immediate	E1 _H
Initialize Device Parameters	91 _H
Read Buffer	E4 _H
Read DMA	C8 _H
Read DMA Extended	25 _H
Read DMA Without Retries	C9 _H
Read Log Ext	2F _H
Read Multiple	C4 _H
Read Multiple Extended	29 _H
Read Native Max Address	F8 _H
Read Native Max Address Extended	27 _H
Read Sectors	20 _H
Read Sectors Extended	24 _H
Read Sectors Without Retries	21 _H
Read Stream DMA Extended	2A _H
Read Stream Extended	2B _H
Read Verify Sectors	40 _H
Read Verify Sectors Extended	42 _H
Read Verify Sectors Without Retries	41 _H
Recalibrate	10 _H
Security Disable Password	F6 _H

Command name	Command code (in hex)
Security Erase Prepare	F3 _H
Security Erase Unit	F4 _H
Security Freeze	F5 _H
Security Set Password	F1 _H
Security Unlock	F2 _H
Seek	70 _H
Set Features	EF _H
Set Max Address Note: Individual Set Max Address commands are identified by the value placed in the Set Max Features register as defined to the right.	F9 _H Address: 00 _H Password: 01 _H Lock: 02 _H Unlock: 03 _H Freeze Lock: 04 _H
Set Max Address Extended	37 _H
Set Multiple Mode	C6 _H
Sleep	E6 _H
S.M.A.R.T. Disable Operations	B0 _H / D9 _H
S.M.A.R.T. Enable/Disable Autosave	B0 _H / D2 _H
S.M.A.R.T. Enable Operations	B0 _H / D8 _H
S.M.A.R.T. Execute Offline	B0 _H / D4 _H
S.M.A.R.T. Read Attribute Thresholds	B0 _H / D1 _H
S.M.A.R.T. Read Data	B0 _H / D0 _H
S.M.A.R.T. Read Log Sector	B0 _H / D5 _H
S.M.A.R.T. Return Status	B0 _H / DA _H
S.M.A.R.T. Save Attribute Values	B0 _H / D3 _H
S.M.A.R.T. Write Log Sector	B0 _H / D6 _H
Standby	E2 _H
Standby Immediate	E0 _H
Write Buffer	E8 _H
Write DMA	CA _H
Write DMA Extended	35 _H
Write DMA FUA Extended	3D _H
Write DMA Without Retries	CB _H
Write Log Extended	3F _H
Write Multiple	C5 _H
Write Multiple Extended	39 _H
Write Multiple FUA Extended	CE _H
Write Sectors	30 _H
Write Sectors Without Retries	31 _H
Write Sectors Extended	34 _H
Write Stream DMA Extended	3A _H
Write Stream Extended	3B _H
Write Uncorrectable	45 _H

4.3.1 Identify Device command

The Identify Device command (command code EC_H) transfers information about the drive to the host following power up. The data is organized as a single 512-byte block of data, whose contents are shown in Table 8 on page 27. All reserved bits or words should be set to zero. Parameters listed with an “x” are drive-specific or vary with the state of the drive. See Section 2.0 on page 3 for default parameter settings.

The following commands contain drive-specific features that may not be included in the Serial ATA specification.

Word	Description	Value
0	Configuration information: • Bit 15: 0 = ATA; 1 = ATAPI • Bit 7: removable media • Bit 6: removable controller • Bit 0: reserved	0C5A _H
1	Number of logical cylinders	16,383
2	ATA-reserved	0000 _H
3	Number of logical heads	16
4	Retired	0000 _H
5	Retired	0000 _H
6	Number of logical sectors per logical track: 63	003F _H
7–9	Retired	0000 _H
10–19	Serial number: (20 ASCII characters, 0000 _H = none)	ASCII
20	Retired	0000 _H
21	Retired	0400 _H
22	Obsolete	0000 _H
23–26	Firmware revision (8 ASCII character string, padded with blanks to end of string)	x.xx
27–46	Drive model number: (40 ASCII characters, padded with blanks to end of string)	
47	(Bits 7–0) Maximum sectors per interrupt on Read multiple and Write multiple (16)	8010 _H
48	Reserved	0000 _H
49	Standard Standby timer, IORDY supported and may be disabled	2F00 _H
50	ATA-reserved	0000 _H
51	PIO data-transfer cycle timing mode	0200 _H
52	Retired	0200 _H
53	Words 54–58, 64–70 and 88 are valid	0007 _H
54	Number of current logical cylinders	xxxx _H
55	Number of current logical heads	xxxx _H
56	Number of current logical sectors per logical track	xxxx _H
57–58	Current capacity in sectors	xxxx _H
59	Number of sectors transferred during a Read Multiple or Write Multiple command	xxxx _H

Word	Description	Value
60–61	Total number of user-addressable LBA sectors available (Refer to Section 2.2 for related information.) *Note: The maximum value allowed in this field is: 0FFFFFFFh (268,435,455 sectors, 137GB). Drives with capacities over 137GB will have 0FFFFFFFh in this field and the actual number of user-addressable LBAs specified in words 100-103. This is required for drives that support the 48-bit addressing feature.	0FFFFFFFh*
62	Retired	0000 _H
63	Multiword DMA active and modes supported (Refer to note following this table)	xx07 _H
64	Advanced PIO modes supported (modes 3 and 4 supported)	0003 _H
65	Minimum multiword DMA transfer cycle time per word (120 nsec)	0078 _H
66	Recommended multiword DMA transfer cycle time per word (120 nsec)	0078 _H
67	Minimum PIO cycle time without IORDY flow control (240 nsec)	00F0 _H
68	Minimum PIO cycle time with IORDY flow control (120 nsec)	0078 _H
69–74	ATA-reserved	0000 _H
75	Queue depth	0000 _H
76	Serial ATA capabilities	xxxx _H
77	Reserved for future Serial ATA definition	xxxx _H
78	Serial ATA features supported	xxxx _H
79	Serial ATA features enabled	xxxx _H
80	Major version number	1F0
81	Minor version number	0000 _H
82	Command sets supported	346B
83	Command sets supported	7D69
84	Command sets support extension (Refer to note following this table)	4133 Refer to Word 108-111 note.
85	Command sets enabled	30xx _H
86	Command sets enabled	0001 _H
87	Command sets enable extension	4000 _H
88	Ultra DMA support and current mode (Refer to note following this table)	xx7F
89	Security erase time	0000 _H
90	Enhanced security erase time	0000 _H
92	Master password revision code	FFFE _H
93	Hardware reset value	xxxx _H
95–99	ATA-reserved	0000 _H

Word	Description	Value
100–103	Total number of user-addressable LBA sectors available (Refer to Section 2.2 for related information). These words are required for drives that support the 48-bit addressing feature. Maximum value: 0000FFFFFFFFFh.	ST31000424CS = 1,953,525,168 ST31000322CS = 1,953,525,168 ST3500414CS = 976,773,168 ST3500312CS = 976,773,168 ST3320413CS = 625,142,448 ST3320311CS = 625,142,448 ST3250412CS = 488,397,168 ST3250312CS = 488,397,168 ST3160316CS = 312,581,808
104–107	ATA-reserved	0000 _H
108–111	The mandatory value of the world wide name (WWN) for the drive. NOTE: This field is valid if word 84, bit 8 is set to 1 indicating 64-bit WWN support.	Each drive will have a unique value.
112–127	ATA-reserved	0000 _H
128	Security status	0001 _H
129–159	Seagate-reserved	xxxx _H
160–254	ATA-reserved	0000 _H
255	Integrity word	xxA5 _H

Note. Advanced Power Management (APM) and Automatic Acoustic Management (AAM) features are not supported

Note. Refer to the bit descriptions below for words 63, 84, and 88 of the Identify Drive data.

Description (if bit is set to 1)	
Bit	Word 63
0	Multiword DMA mode 0 is supported.
1	Multiword DMA mode 1 is supported.
2	Multiword DMA mode 2 is supported.
8	Multiword DMA mode 0 is currently active.
9	Multiword DMA mode 1 is currently active.
10	Multiword DMA mode 2 is currently active.
Bit	Word 84
0	SMART error loggin is supported.
1	SMART self-test is supported.
2	Media serial number is supported.
3	Media Card Pass Through Command feature set is supported.
4	Streaming feature set is supported.
5	GPL feature set is supported.
6	WRITE DMA FUA EXT and WRITE MULTIPLE FUA EXT commands are supported.
7	WRITE DMA QUEUED FUA EXT command is supported.
8	64-bit World Wide Name is supported.
9-10	Obsolete.
11-12	Reserved for TLC.

	13	IDLE IMMEDIATE command with IUNLOAD feature is supported.
	14	Shall be set to 1.
	15	Shall be cleared to 0.
	Bit	Word 88
	0	Ultra DMA mode 0 is supported.
	1	Ultra DMA mode 1 is supported.
	2	Ultra DMA mode 2 is supported.
	3	Ultra DMA mode 3 is supported.
	4	Ultra DMA mode 4 is supported.
	5	Ultra DMA mode 5 is supported.
	6	Ultra DMA mode 6 is supported.
	8	Ultra DMA mode 0 is currently active.
	9	Ultra DMA mode 1 is currently active.
	10	Ultra DMA mode 2 is currently active.
	11	Ultra DMA mode 3 is currently active.
	12	Ultra DMA mode 4 is currently active.
	13	Ultra DMA mode 5 is currently active.
	14	Ultra DMA mode 6 is currently active.

4.3.2 Set Features command

This command controls the implementation of various features that the drive supports. When the drive receives this command, it sets BSY, checks the contents of the Features register, clears BSY and generates an interrupt. If the value in the register does not represent a feature that the drive supports, the command is aborted. Power-on default has the read look-ahead and write caching features enabled. The acceptable values for the Features register are defined as follows:

Table 9: Set Features command values

02 _H	Enable write cache (<i>default</i>).
03 _H	Set transfer mode (based on value in Sector Count register). Sector Count register values:
00 _H	Set PIO mode to default (PIO mode 2).
01 _H	Set PIO mode to default and disable IORDY (PIO mode 2).
08 _H	PIO mode 0
09 _H	PIO mode 1
0A _H	PIO mode 2
0B _H	PIO mode 3
0C _H	PIO mode 4 (<i>default</i>)
20 _H	Multiword DMA mode 0
21 _H	Multiword DMA mode 1
22 _H	Multiword DMA mode 2
40 _H	Ultra DMA mode 0
41 _H	Ultra DMA mode 1
42 _H	Ultra DMA mode 2
43 _H	Ultra DMA mode 3
44 _H	Ultra DMA mode 4
45 _H	Ultra DMA mode 5
46 _H	Ultra DMA mode 6
06 _H	Enable the PUIS feature set
07 _H	PUIS feature set device spin-up
10 _H	Enable use of SATA features
55 _H	Disable read look-ahead (read cache) feature.
82 _H	Disable write cache
86 _H	Disable the PUIS feature set
90 _H	Disable use of SATA features
AA _H	Enable read look-ahead (read cache) feature (<i>default</i>).
F1 _H	Report full capacity available

Note. At power-on, or after a hardware or software reset, the default values of the features are as indicated above.

4.3.3 S.M.A.R.T. commands

S.M.A.R.T. provides near-term failure prediction for disk drives. When S.M.A.R.T. is enabled, the drive monitors predetermined drive attributes that are susceptible to degradation over time. If self-monitoring determines that a failure is likely, S.M.A.R.T. makes a status report available to the host. Not all failures are predictable. S.M.A.R.T. predictability is limited to the attributes the drive can monitor. For more information on S.M.A.R.T. commands and implementation, refer to the *Draft ATA-5 Standard*.

SeaTools diagnostic software activates a built-in drive self-test (DST S.M.A.R.T. command for D4_H) that eliminates unnecessary drive returns. The diagnostic software ships with all new drives and is also available at: <http://seatools.seagate.com>.

This drive is shipped with S.M.A.R.T. features disabled. You must have a recent BIOS or software package that supports S.M.A.R.T. to enable this feature. The table below shows the S.M.A.R.T. command codes that the drive uses.

Table 10: S.M.A.R.T. commands

Code in features register	S.M.A.R.T. command
D0 _H	S.M.A.R.T. Read Data
D2 _H	S.M.A.R.T. Enable/Disable Attribute Autosave
D3 _H	S.M.A.R.T. Save Attribute Values
D4 _H	S.M.A.R.T. Execute Off-line Immediate (runs DST)
D5 _H	S.M.A.R.T. Read Log Sector
D6 _H	S.M.A.R.T. Write Log Sector
D8 _H	S.M.A.R.T. Enable Operations
D9 _H	S.M.A.R.T. Disable Operations
DA _H	S.M.A.R.T. Return Status

Note. If an appropriate code is not written to the Features Register, the command is aborted and 0x04 (abort) is written to the Error register.

5.0 Seagate Technology support services

For information regarding online support and services, visit http://www.seagate.com/www/en-us/about/contact_us/

Available services include:

- Presales & Technical support
- Global Support Services telephone numbers & business hours
- Authorized Service Centers

For information regarding Warranty Support, visit [http://www.seagate.com/www/en-us/support/warranty & returns assistance](http://www.seagate.com/www/en-us/support/warranty_&_returns_assistance)

For information regarding data recovery services, visit <http://www.i365.com>

For Seagate OEM and Distribution partner portal, visit <https://direct.seagate.com/portal/system>

For Seagate reseller portal, visit <http://spp.seagate.com>

Customer Service Operations

Warranty Service

Seagate offers worldwide customer support for Seagate products. Seagate distributors, OEMs and other direct customers should contact their Seagate Customer Service Operations (CSO) representative for warranty-related issues. Resellers or end users of drive products should contact their place of purchase or Seagate warranty service for assistance. Have your serial number and model or part number available.

Data Recovery Services

Seagate offers data recovery services for all formats and all brands of storage media. Our data recovery services labs are currently located throughout the world. . Additional information, including an online request form and data loss prevention resources, is available at <http://services.seagate.com/index.aspx>.

Authorized Service Centers

Seagate Service Centers are available on a global basis for the return of defective products. See www.seagate.com for the service center near you.

USA/Canada/Latin America support services

For an extensive list of telephone numbers to technical support, presales and warranty service in USA/Canada/Latin America, including business hours, go to the "Contact Us" page on www.seagate.com.

Global Customer Support

Presales, Technical, and Warranty Support

Call Center	Toll-free	Direct dial
USA, Canada, and Mexico	1-800-SEAGATE	+1-405-324-4700

Data Recovery Services

Call Center	Toll-free	Direct dial	FAX
USA, Canada, and Mexico	1-800-475-0143	+1-905-474-2162	1-800-475-0158 +1-905-474-2459

Europe, the Middle East and Africa Support Services

For an extensive list of telephone numbers to technical support, presales and warranty service in Europe, the Middle East and Africa, go to the "Contact Us" page on www.seagate.com.

Asia/Pacific Support Services

For an extensive list of telephone numbers to technical support, presales and warranty service in Asia/Pacific, go to the "Contact Us" page on www.seagate.com.

Index

A

ACA 19
acceleration 16
acoustics 17
Active mode 14
AFR 18
agency certification 18
altitude 15
ambient temperature 11, 12
Annualized Failure Rate (AFR) 18
areal density 1, 10
ATA commands 27
Australia/New Zealand Standard AS/NZ CISPR22 19
Australian Communication Authority (ACA) 19
Australian C-Tick 19
average seek time 11

B

buffer 11

C

cables and connectors 22
cache 11
capacity 10
case temperature 15
CE mark 18
certification 18
Check Power Mode 27
China RoHS directive 20
compatibility 18
conducted noise 13
conducted RF immunity 17
Configure Stream 27
Configuring the drive 21
connectors 22
corrosive environment 20
CSA60950-1 18
cycles 18
cylinders 10

D

data-transfer rates 1
DC power 12
default logical geometry 10
density 10
Device Configuration Freeze Lock 27
Device Configuration Identify 27
Device Configuration Restore 27
Device Configuration Set 27
Device Reset 27
dimensions 23, 24

dissipation 12
Download Microcode 27
duty cycle 18

E

electrical fast transient 17
Electromagnetic compatibility 18
Electromagnetic Compatibility (EMC) 19
Electromagnetic Compatibility control Regulation 19
Electromagnetic Compatibility Directive (2004/108/EC) 18
electromagnetic immunity 17
electrostatic discharge 17
electrostatic discharge (ESD) 21
EN 55022, Class B 18
EN 55024 18
EN60950 18
enclosures 19
environmental specifications 15
EPRML 1
error-correction algorithms 1
errors 18
ESD 21
EU 18
EU RoHS directive 20
European Union (EU) requirements 18
Execute Device Diagnostics 27

F

FCC verification 19
features 1
Flush Cache 27
Flush Cache Extended 27
Format Track 27
formatted capacity 10

G

geometry 10
Gs 16
guaranteed sectors 10

H

handling precautions 21
heads 10
height 11
humidity 15

I

I/O data-transfer rate 10
I/O duty cycle 18
Identify Device 27
Identify Device command 29
Idle 27

Idle Immediate 27
Idle mode 12, 14
Information Technology Equipment (ITE) 18
Initialize Device Parameters 27
input noise ripple 13
input voltage 12
interface 10, 25
interference 19
internal data-transfer rate OD 10
ITE 18

K

KCC 19
Korean Communications Commission 19
Korean RRL 19

L

LBA mode 10
length 11
logical geometry 10

M

maintenance 18
master/slave 2
mounting 23
mounting screws 16
mounting the drive 21

N

noise 13
nominal power 11
Nonoperating shock 16
Nonoperating vibration 16
Nonrecoverable read errors 18

O

operating 12
Operating power 12
Operating shock 16
Operating vibration 16

P

physical characteristics 11
point-to-point 2, 22
power consumption 12
power dissipation 12
power management modes 14
power specifications 12
power-on to ready 11
power-on-hours 18
precautions 21
printed circuit board 21

programmable power management 14
prominent discrete tones 17

Q

quick reference 3

R

radiated RF immunity 17
radio and television interference 19
radio frequency (RF) 17
Read Buffer 27
Read DMA 27
Read DMA Extended 27
Read DMA without Retries 27
read errors 18
Read Log Ext 27
Read Multiple 27
Read Multiple Extended 27
Read Native Max Address 27
Read Native Max Address Extended 27
Read Sectors 27
Read Sectors Extended 27
Read Sectors Without Retries 27
Read Verify Sectors 27
Read Verify Sectors Extended 27
Read Verify Sectors Without Retries 27
Read/write heads 10
Recalibrate 27
recording density 10
recording method 10
recording technology 10
relative humidity 15
reliability 18
RMS read/write current 13
RoHS 20
RRL 19

S

S.M.A.R.T. Disable Operations 28
S.M.A.R.T. Enable Operations 28
S.M.A.R.T. Enable/Disable Autosave 28
S.M.A.R.T. Execute Offline 28
S.M.A.R.T. implementation 27
S.M.A.R.T. Read Attribute Thresholds 28
S.M.A.R.T. Read Data 28
S.M.A.R.T. Read Log Sector 28
S.M.A.R.T. Return Status 28
S.M.A.R.T. Save Attribute Values 28
S.M.A.R.T. Write Log sector 28
safety certification 18
SATA 25
screws 16
sectors 10
Sectors per track 10

- Security Disable Password 27
- Security Erase Prepare 28
- Security Erase Unit 28
- Security Freeze 28
- Security Set Password 28
- Security Unlock 28
- Seek 28
 - seek time 11
- Serial ATA (SATA) interface 25
- serial ATA ports 2
- servo electronics 12
- Set Features 28
- Set Max Address 28
- Set Max Address Extended 28
- Set Multiple Mode 28
- shock 16
- single-track seeks 11
- Sleep 12, 28
- Sleep mode 14
- Specification summary table 3
- spindle speed 10
- Spinup 12
- Spinup power 12
- Standby 12, 28
- Standby Immediate 28
- Standby mode 12, 14
- standby timer 14
- standby to ready 11
- start/stop times 11
- start-stop cycles 18
- static-discharge 21
- subassembly 19
- support services 35
- surge immunity 17

T

- technical support services 35
- temperature 11, 15
- temperature gradient 15
- timers 14
- track density 10
- track-to-track 11
- track-to-track seek time 11
- tunneling magnetoresistive (TMR) recording heads 1

U

- UL60950-1 18

V

- vibration 16
- voltage 12
- voltage dips, interrupts 17
- Voltage tolerance 13

W

- warranty 18
- weight 11
- wet bulb temperature 15
- width 11
- Write Buffer 28
- Write DMA 28
- Write DMA Extended 28
- Write DMA FUA Extended 0, 28
- Write DMA Without Retries 28
- Write Log Extended 28
- Write Multiple 28
- Write Multiple Extended 28
- Write Multiple FUA Extended 28
- Write Sectors 28
- Write Sectors Extended 28
- Write Sectors Without Retries 28
- Write Uncorrectable 28



Seagate Technology LLC
10200 South De Anza Boulevard, Cupertino, California 95014, USA
Publication Number: 100529372, Rev. J