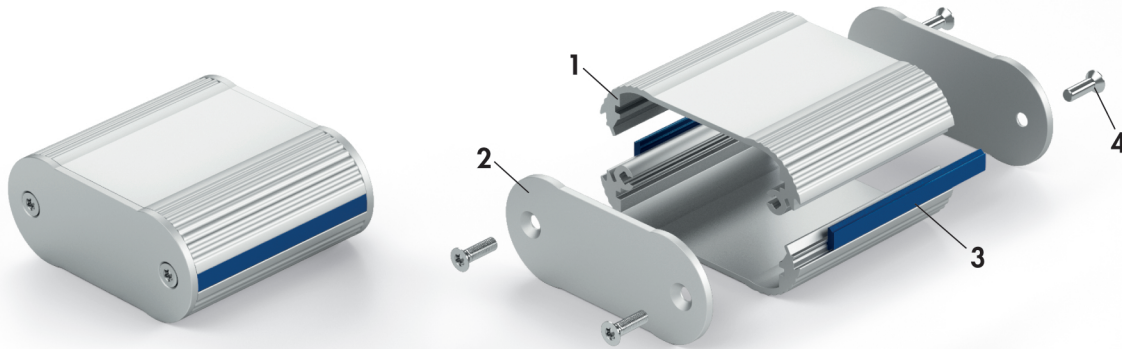


Miniature case "TONDO"



contents of delivery:

- 1 = 2 x housing halves
- 2 = 2 x cover panel
- 3 = 2 x plastic design strip
- 4 = mounting material

- handy miniature case made of aluminium profiles which are plugged against each other with cover panels of 2 mm thickness and lateral integrated plastic design strips
- guide slots for insertion of non-standardized PCBs, laterally in the profile 1.6 mm and in the middle with 1.8 mm
- integration possibilities for foil keypads
- design strips are available in the colours turquoise blue (similar to RAL 5018), heather violet (similar to RAL 4003), ultramarine blue (similar to RAL 5002), carmine red (similar to RAL 3002) and daffodil yellow (similar to RAL 1007)
- special treatments, special lengths, surfaces and colours upon request
- supplied as a demounted kit

art. no.				
TON 49 20 ...				
art. no.				
TON 61 26 ...				
art. no.				
TON 86 36 ...				
please indicate:	<table style="width: 100%; border: none;"> <tr> <td style="text-align: center;"> ... length 50 80 100 mm </td> <td style="text-align: center;"> ... surface SA = black anodised ME = natural colour anodised </td> <td style="text-align: center;"> ... colour design strip TB = turquoise blue EV = heather violet UL = ultramarine blue KR = carmine red NG = daffodil yellow </td> </tr> </table>	... length 50 80 100 mm	... surface SA = black anodised ME = natural colour anodised	... colour design strip TB = turquoise blue EV = heather violet UL = ultramarine blue KR = carmine red NG = daffodil yellow
... length 50 80 100 mm	... surface SA = black anodised ME = natural colour anodised	... colour design strip TB = turquoise blue EV = heather violet UL = ultramarine blue KR = carmine red NG = daffodil yellow		