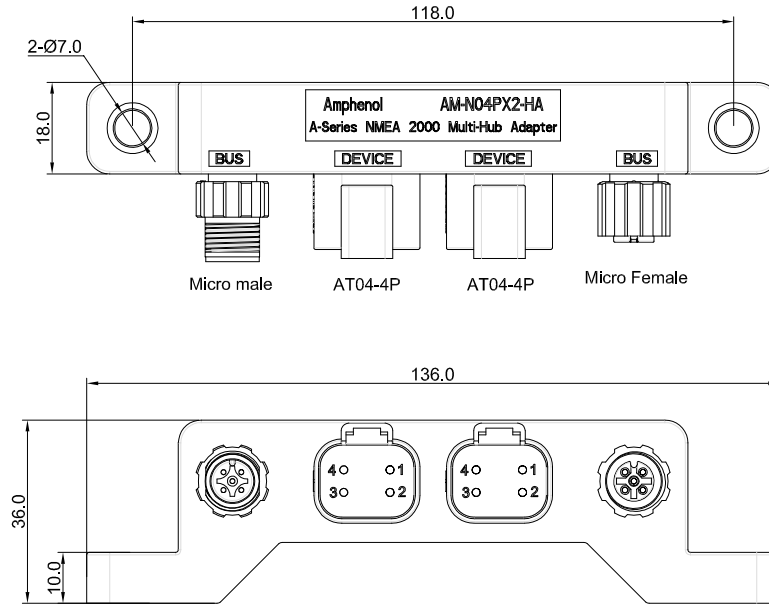
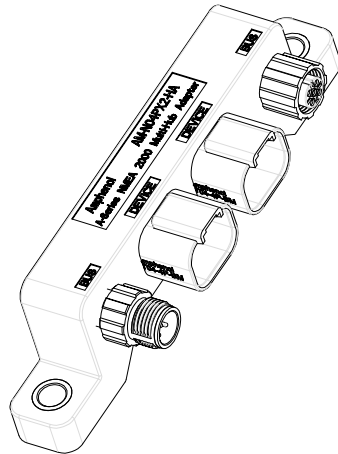


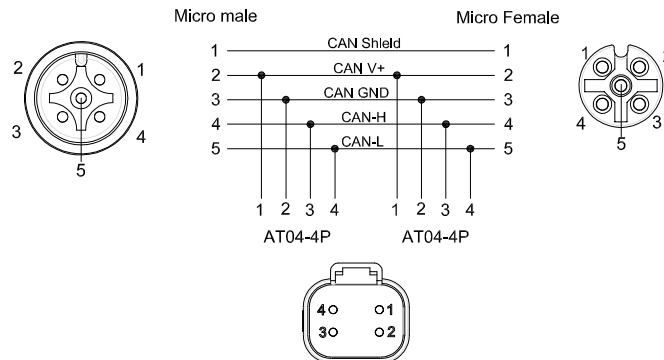
REVISIONS					
REV	ECO	DESCRIPTION	DATE	BY	APPR
A1	-	FIRST RELEASE	Aug.11,2015	Tod	TOMMY



NOTES: UNLESS OTHERWISE SPECIFIED

- MATERIAL:
 - COUPLING NUT: PA66 UL94V-0
 - INSULATION INSERT: PA66,UL94 V0
 - SEAL: SILICON RUBBER
 - OVERMOLD MATERIAL: THERMOPLASTIC COLOR: BLACK
 - CONTACT: GOLD FLASH PLATING OVER COPPER ALLOY
- SPECIFICATIONS:
 - 2.1 CURRENT RATING: 4 AMPS
 - 2.2 VOLTAGE RATING: 60V AC/DC
 - 2.3 OPERATING TEMPERATURE: -20°C TO +130°C
 - 2.4 DIELECTRIC WITHSTANDING VOLTAGE: LESS THAN 2 MILLIAMPS CURRENT LEAKAGE @ 1000 VOLTS AC.
 - 2.5 DEGREE OF PROTECTION: IP67 (MATED CONDITION)
 - 2.6 DEGREE OF POLLUTION: 3 PER UL840
 - 2.7 OVERVOLTAGE CATEGORY: III PER UL840
 - 2.8 MATING CYCLE DURABILITY: >100 CYCLES
 - 2.9 RoHS COMPLIANT
- ALL DIMENSIONS ARE FOR REFERENCE USE ONLY.

Wire diagram



SEE PART NUMBER CHART		DESCRIPTION		ITEM
QUANTITY	PART NUMBER			
MATERIALS LIST				
UNLESS OTHERWISE SPECIFIED		SIGNATURES		DATE
1) All dimensions are in metric(mm).		DRAWN: Tod		Aug.11,2015
2) Tolerances are as follows:		CHECKED:		
1 PL DEC ±0.30		ENGINEER:		
2 PL DEC ±0.15		APPROVAL:		
3 PL DEC ±0.08		CUSTOMER:		
3) Note reference =		THIS DRAWING IS SUPPLIED FOR INFORMATION ONLY. DESIGN FEATURES, SPECIFICATIONS AND PERFORMANCE DATA SHOWN HEREON ARE THE PROPERTY OF THE AMPHENOL CORPORATION. NO RIGHTS OF REPRODUCTION ARE IMPLIED. ALL DIMENSIONS ARE SUBJECT TO NORMAL MANUFACTURING VARIATIONS.		
MATERIAL SPECIFICATIONS:		Sine Systems - www.amphenol-sine.com		
PROCESS SPECIFICATIONS:		44724 Morley Drive		
NEXT ASSY:		Clinton Township, MI 48036		
		A series, NMEA 2000 Multi-Hub Adapter		
SIZE	TYPE	DWG NO:	REVISION	
B	C-	AM-N04PX2-HA	A1	
SCALE:	NONE		SHEET	1 OF 1

TITLE: A series NMEA 2000 Multi-Hub Adapter DWG NO: AM-N04PX2-HA REV: A1 SH: 1 OF: 1