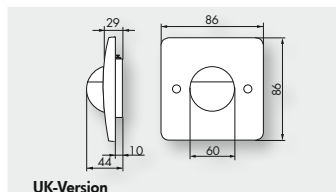


Indoor 180 R-2D

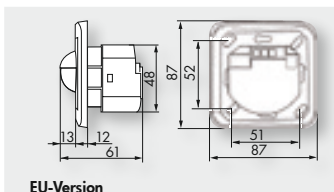


EU-Version

UK-Version



UK-Version



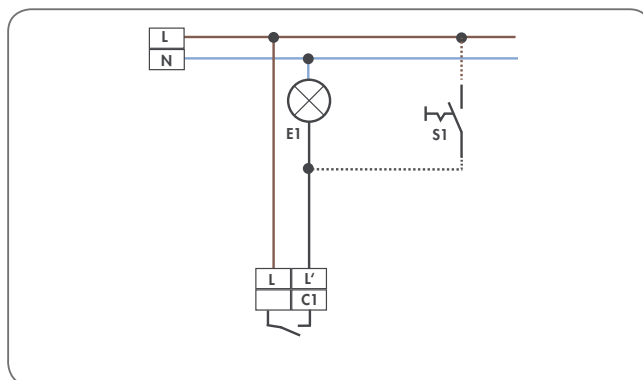
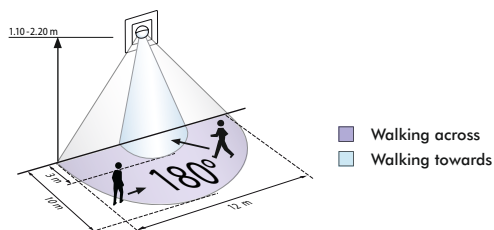
EU-Version

i PRODUCT INFORMATION

- Wall occupancy detector with acoustic sensor
- Relay version with 2-wire technology thanks to inbuilt battery
- Noise automatically extends light-on time
- Including surround (interior cover dimensions 60 x 60 mm)

■ TECHNICAL DATA

- ~ 110-240 V AC, 50 / 60 Hz 5 x NiMH / 30 AAAA
1,2 V / 200 mAh
- ☀ 180°
- 📏 max. 10 m
- ⚠ Mounting height max. 2.2m
- IP IP20 / Class II
- 🌡 +5 °C to +45 °C
- 📦 Housing UV- and shock resistant polycarbonate
- Channel 1 (control the lighting)**
- ⚡ **180-R-2D** 2300 W, cos φ = 1
- ⚡ **180-R/2W-UK** 3000 W, cos φ = 1
- 🕒 15 s - 16 min or pulse
- ☀ 2 - 2000 Lux



Description	Colour	Part number
Indoor 180-R/2W-UK, covering included (UK version)	pure white, RAL 9010	92615
Indoor 180-R-2D covering included (European version)	pure white, RAL 9010	92616
Accessory (optional)		
SM-Socket for Indoor 180	pure white	92141
Protection against vandalism for Indoor 180	-	92018
Centre plate for modular push button (angled corners)	white	35126
Centre plate for modular push button (rounded corners)	white	35127