

Type H15 low Profile Female Connector



Type: Female connector straight with 2 rows

Termination: Solder

Number of contacts: 15

Pitch: 5.08 mm x 6.0 mm

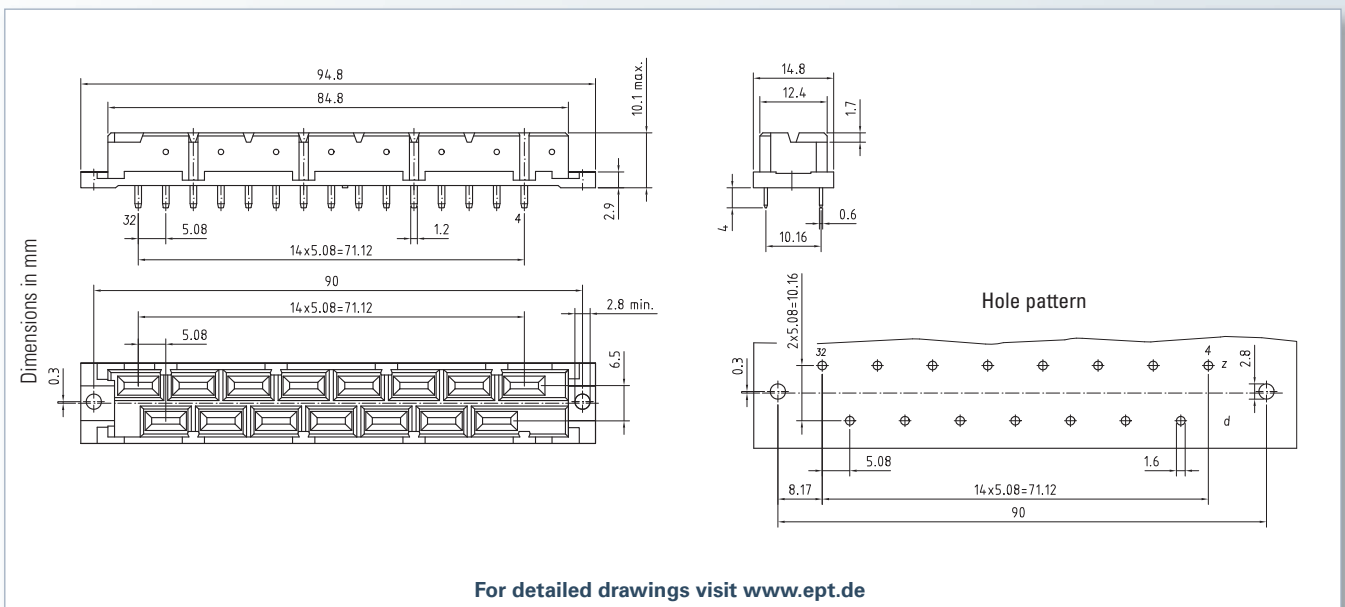
Operational current: 15 A

Packaging: Box

Standard: IEC 60603-2



Technical Specifications on page 36



Solder - Performance level II

No. of contacts	Contact arrangement	Termination length L	
		4.0 mm	13 mm
Part number			
15		114-40080	114-40090

On request

• Board-Lock p. 131

Accessories

• Coding p. 132

Mating connector / Application:

Type H15 Male connector (p. 110)