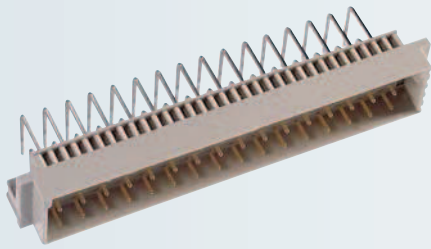


DIN 41612



Type E Male Connector



Type: Male connector 90° with 3 rows

Termination: Solder

Number of contacts: 32, 48

Pitch: 5.08 mm

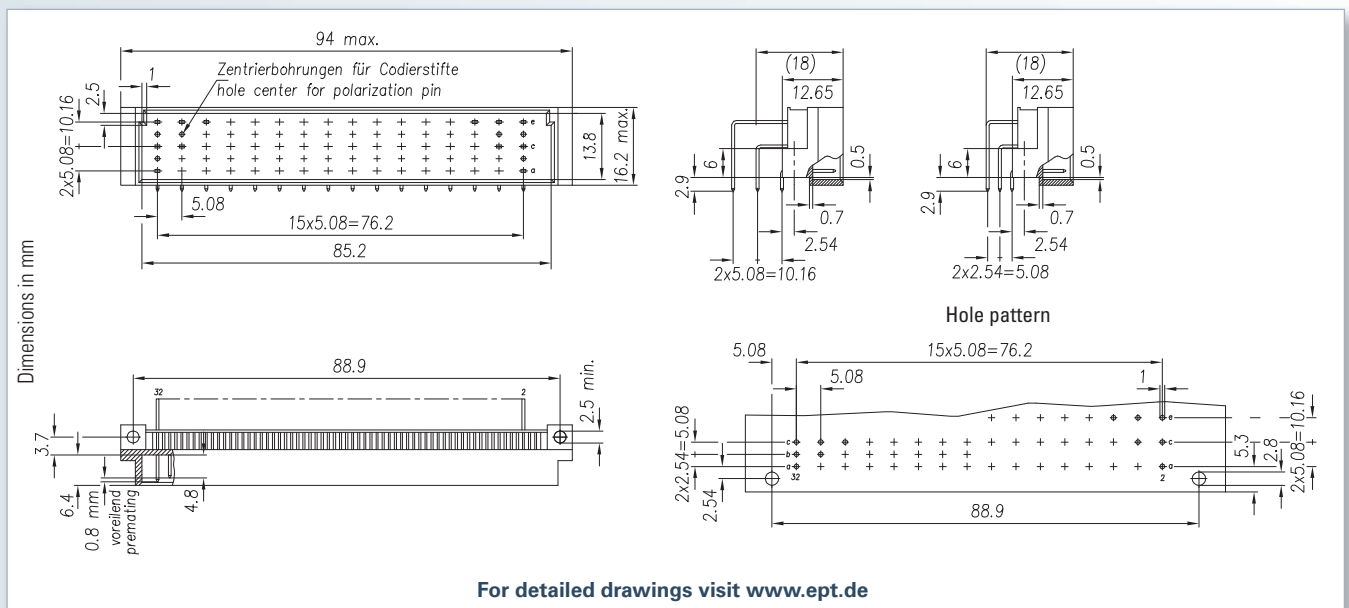
Operational current: 5.6 A

Packaging: Tube

Standard: IEC 60603-2



Technical Specifications on page 36



Accessories


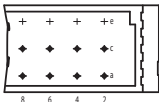
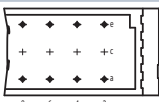
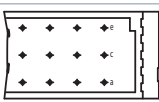
- Coding p. 132

Mating connector / Application:

 Type E Female connector (p. 92)



Solder - Performance level II •••

No. of contacts	Contact arrangement	Termination length L 		
		2.9 mm Pitch 5.08 mm	2.9 mm Pitch 2.54 mm	3.7 mm
		Part number		
32		107-40024	107-40025	107-40026
32		107-40014	107-40015	107-40016
48		107-40064	107-40065	107-40066

On request

- performance level I + III or customized
- special contact length
- also in THTR
- Board-Lock p. 131
- contact arrangement