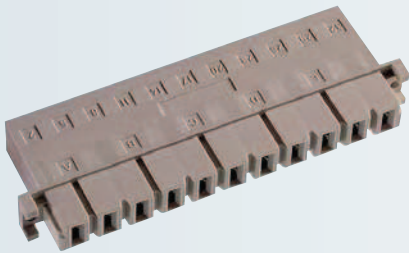


DIN 41612

Type H11 Female Connector



Type: Female connector straight with 1 row

Termination: Faston

Number of contacts: 11

Pitch: 7.62 mm

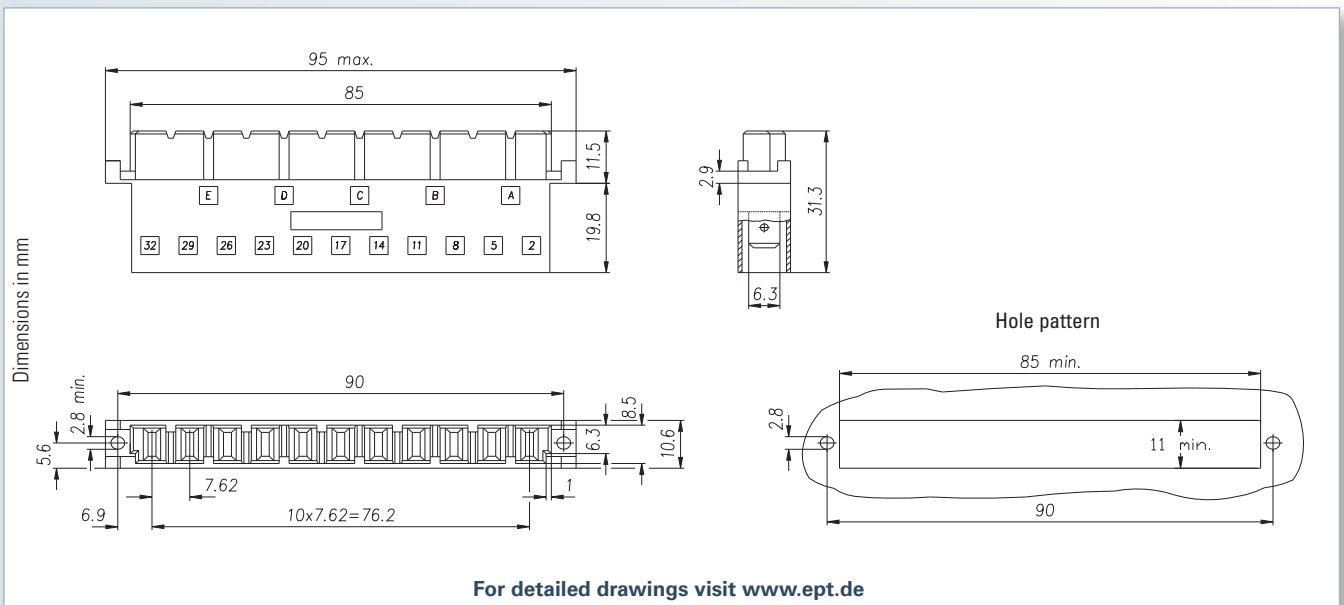
Operational current: 15 A

Packaging: Box

Standard: IEC 60603-2



Technical Specifications on page 36



Faston - Performance level II

No. of contacts	Contact arrangement	Termination length L
		5.5 mm
		Part number
11		114-40040

Accessories

- Coding p. 132

Mating connector / Application:

Type H11 Male connector (p. 106)