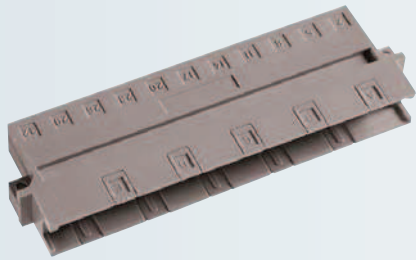


# DIN 41612



## Type H11 Male Connector



**Type:** Male connector 90° with 1 row

**Termination:** Solder

**Number of contacts:** 11

**Pitch:** 7.62 mm

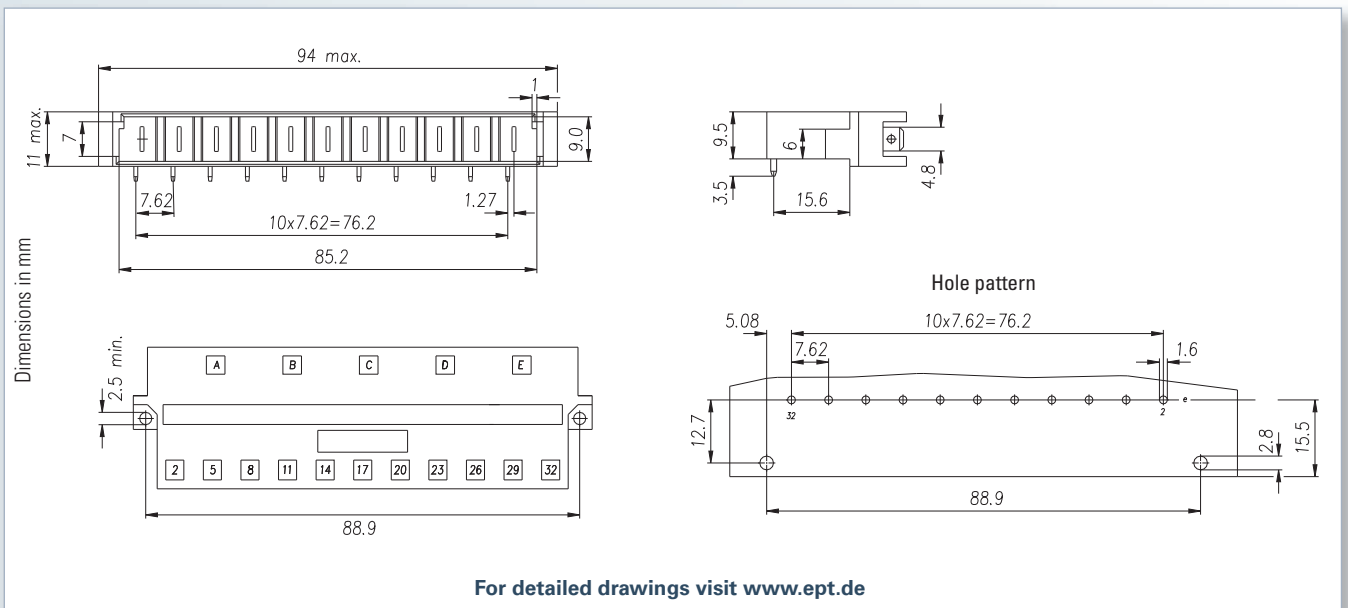
**Operational current:** 15 A

**Packaging:** Box

**Standard:** IEC 60603-2



Technical Specifications on page 36



### Note


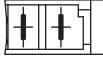
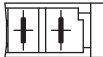
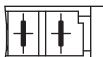
Coding possible, see on page 132

### Mating connector / Application:

 Type H11 Female connector (p. 108)



**Solder - Performance level II** •••

No. of contacts	Pre-mating contact at position	Contact arrangement	Termination length L 
			3.5 mm
			Part number
11	without		113-40010
10+1	32		113-40015
9+2	2; 32		113-40020