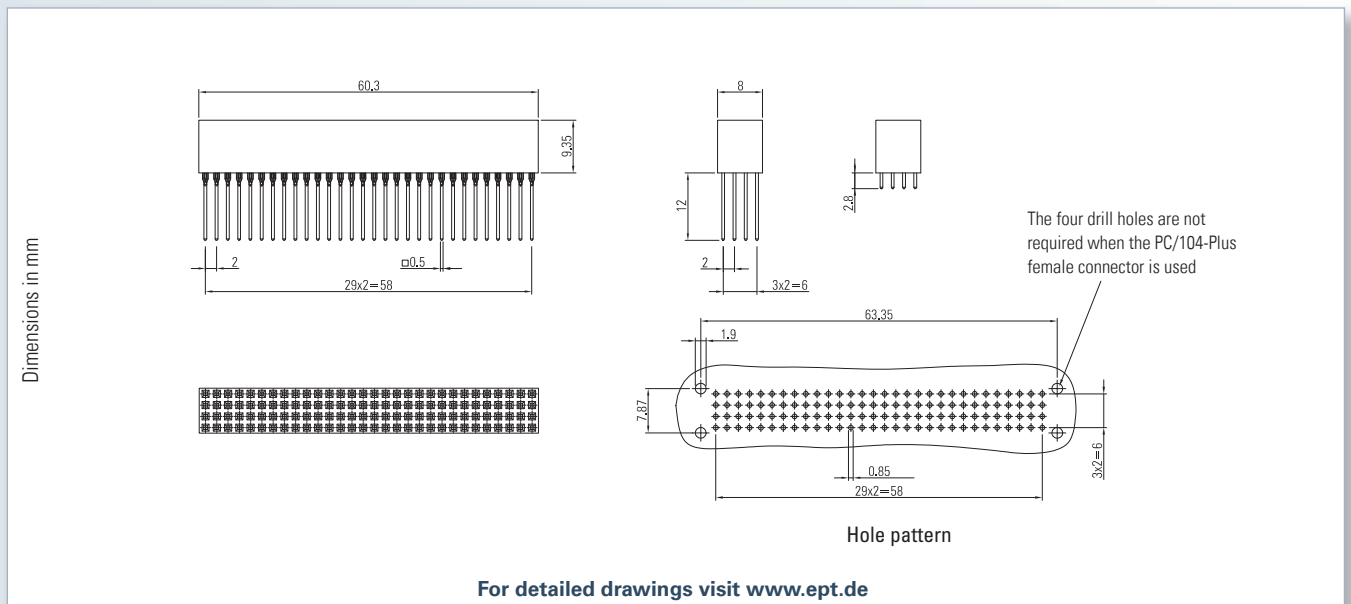



Type: Female connector straight
Termination: Press-fit, solder
Number of contacts: 120
Pitch: 2.0 mm
Operational current: 1.7 A
Packaging: Tray
Standard: PC/104-Plus



Technical Specifications on page 166




Press-fit - Performance level III

No. of contacts	Termination length L 	
	2.8 mm	12 mm
Part number		
120	264-60303-02	264-60303-12



Solder - Performance level III

No. of contacts	Termination length L 
	2.8 mm
Part number	
120	264-40303-02



On request

• other no. of contacts

Accessories

- Processing tools p. 306
- Shroud p. 173

Mating connector / Application:

-  PC/104-Plus Pin header (p. 172)
-  PC/104-Plus Female connector (p. 170)