

FE2owlet-ECblue

for single phase alternating current, 200-277 V

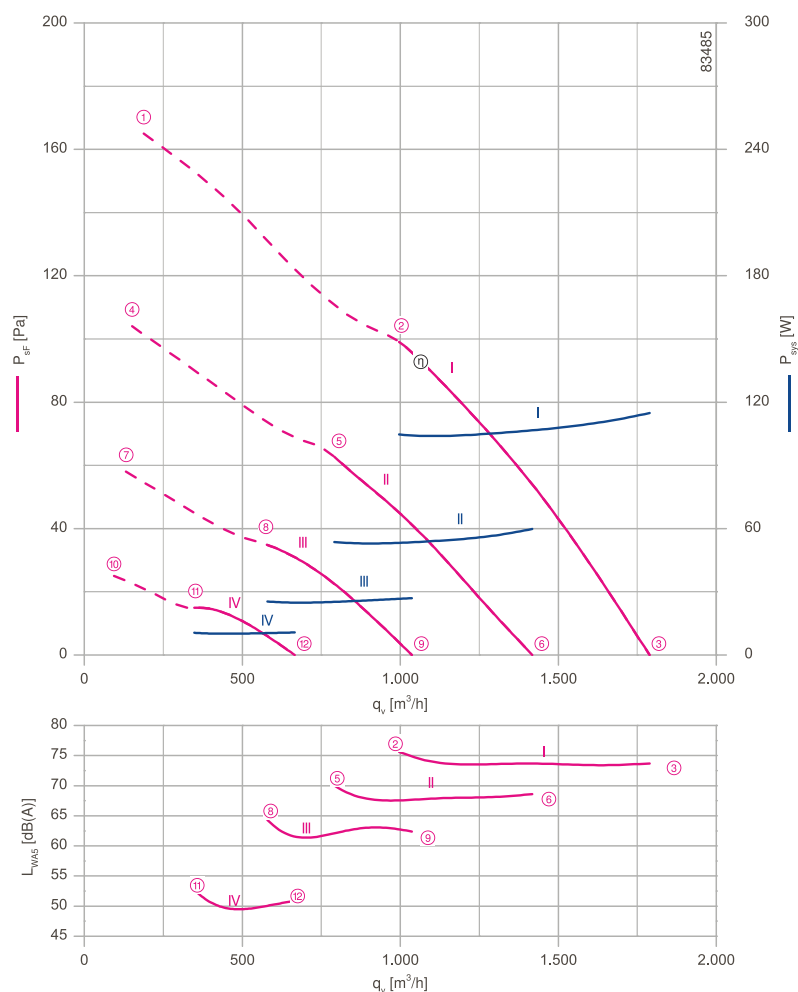
FN025



Description

Motor technology: EC
 Rated voltage U: 1~ 200-277 V*
 Rated frequency f: 50/60 Hz*
 Motor input power P_{sys}^* : 0.11 kW*
 Rated current I: 0.90- 0.65 A*
 Rated speed n_{max} : 2580 min⁻¹*
 Thermal class: THCL155*
 Min. permitted conveyor temperature $t_{R(min)}$: -25 °C
 Max. permitted conveyor temperature $t_{R(max)}$: 60 °C
 Electrical connection: Integrated controller with attached cable
 Number of blades: 7
 Protection class: IP44
 Motor protection: Integrated active temperature management
 Blades: High Performance Composite Material, uncoated, black
 Rotor: Steel, 1 coat paint, Ultramarine blue
 Conformity: CE
ErP Data
 Is not subject to the ErP Guidelines ($P_i < 125$ W)
 * Rated data

Characteristic curve



Measured in full bell mouth without guard grille in installation type A according to ISO 5801.

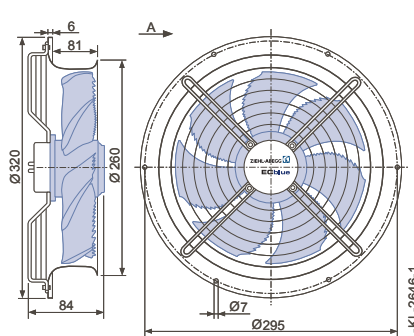
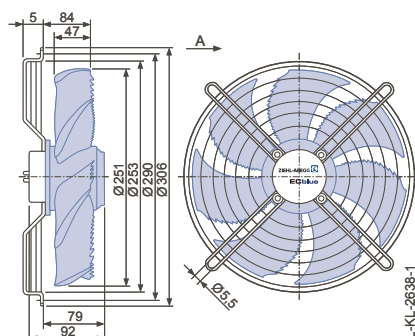
- Connection diagram KT00036A Page 606
- System components Page 524

Dimensions [mm]

Airflow direction A

Design D - axial bolted, suspension for full bell mouth Q and L

Design L - round, full bell mouth








Performance data

Type	Characteristic curve	Torque	Operating point	Current	Motor input power	Suction side sound power level
		%		I [A]	P _{sys} [W]	L _{WA5} [dB]
FN025-6I_0B_7	I	100	①	0.64	90	
		100	②	0.72	100	76
		100	③	0.78	110	74
	II	80	④	0.35	46	
		80	⑤	0.40	55	70
		80	⑥	0.44	60	69
	III	60	⑦	0.19	22	
		60	⑧	0.21	26	64
		60	⑨	0.22	28	62
	IV	40	⑩	0.11	10	
		40	⑪	0.11	10	51
		40	⑫	0.12	11	51

Current values determined at 230V

Fan ordering information

Airflow direction A		Airflow direction V			
Design	D	L	K	H	I
					
Type	FN025-6ID.0B.A7	FN025-6IL.0B.A7	FN025-6IK.0B.V7	FN025-6IH.0B.V7	FN025-6II.0B.V7
Article no.	140029	140033	140049	140045	140041
Weight [kg]	2.50	3.50	2.90	3.50	2.50

Control technology

Control module



Page 544

Airflow direction V

Design K - axial bolted, mounted for short bell mouth E

Design H - pipe sockets with a flange

Design I - axial bolted, mounting for bell mouth flange for pipe socket H or full bell mouth Q or L

