

VOLTAGE TRANSFORMER

Model 467

Frequency:
60 Hz

Standard Secondary Voltage:
120 Volts

Insulation Level:
600 Volts, 10 kv BIL full wave

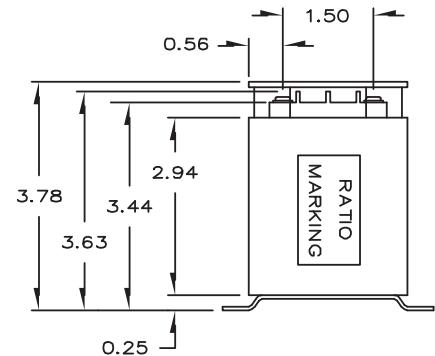
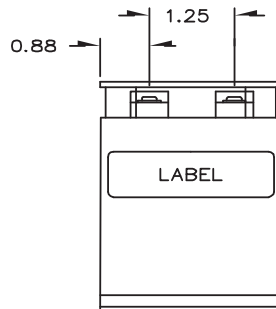
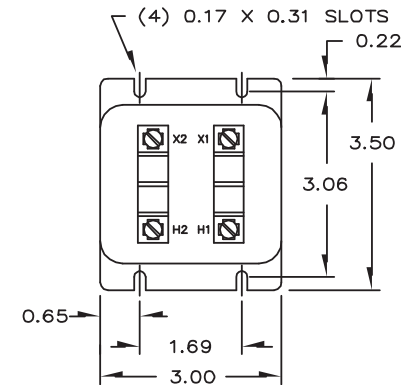
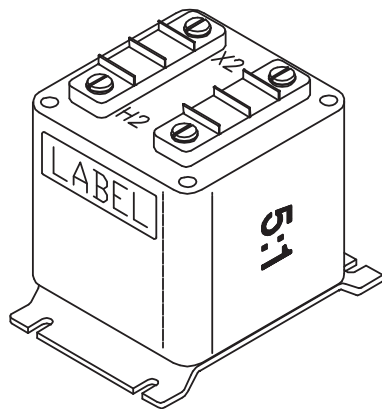
Accuracy Class:
± 1% at all burdens up to 5VA at 1.0 and 0.95 P.F.

Thermal Rating:
40 VA at 30°C amb.
27 VA at 55°C amb.



E228202

- The core and coil assembly is encased in a thermoplastic shell and filled with resin.
- These transformers are designed for operation line-to-line. They may also be operated line-to-ground or line-to-neutral at reduced voltage, (58% of rated volts).
- Terminals are No. 6-32 screws with one lockwasher and one flatwasher.
- It is desirable to use a 0.40 amp fuse in the secondary to protect the transformer.
- With two exceptions these transformers are ANSI C57.13 group 1. Those marked * are group 2.
- Models designed specifically for 50Hz operation are available with reduced performance consult factory for details.
- Each transformer has a clear plastic terminal cover.
- Approximate weight: 2.5 lbs.



| CATALOG NUMBER | VOLTAGE RATING | TURNS RATIO | REC. PRIMARY FUSE RATING |
|----------------|----------------|-------------|--------------------------|
| 467-069 | 69.3:120 | 0.58:1 | 1.5 |
| 467-120 | 120:120 | 1:1 | 1.0 |
| 467-208 | 208:120 | 1.73:1 | 0.5 |
| 467-240 | 240:120 | 2:1 | 0.5 |
| 467-277 | 277:120 | 2.31:1 | 0.5 |
| 467-288 | 288:120 | 2.4:1 | 0.4 |
| 467-300 | 300:120 | 2.5:1 | 0.4 |
| 467-346 | 346:120 | 2.88:1 | 0.4 |
| *467-480 | *480:120 | 4:1 | 0.25 |
| *467-600 | *600:120 | 5:1 | 0.25 |