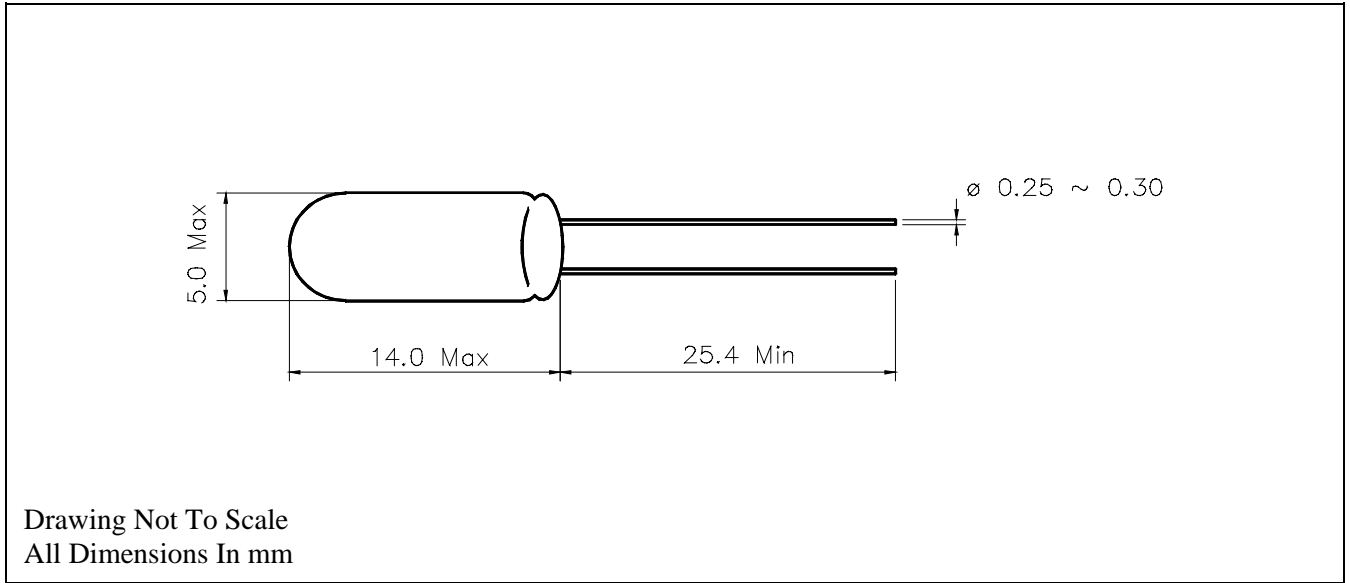


**PRODUCT
DATA SHEET**

Type	Size	Rating	Description	Part No.
Incandescent	T5	28V 0.04A	T-1½ Wire Terminal Bead Seal Lamp	688BS



PHOTOMETRY DATA

TEST VOLTS	CURRENT (mA)			LIGHT OUTPUT (Lm)			LIFE (Hours)
	Min.	Nom.	Max.	Min.	Nom.	Max.	
28	36	40	44	3.4	4.5	5.6	4000

NOTES:

- 1) C-2F filament shape
- 2) Lead wires 0.25mm diameter x 25.4mm MIN. long, with tinned finish.
- 3) Other lead wire lengths according to purchase order.

Issue No.	Date	C.N. No.	Drawn	Tech	QA	M & P	Sales
1	27/1/97		NR				