

**PLEASE CHECK WWW.MOLEX.COM FOR LATEST PART INFORMATION**

**Part Number:** [0548190519](#)  
**Status:** **Active**  
**Overview:** [Consumer USB Products](#)  
**Description:** USB On-The-Go (OTG) Mini-B Receptacle, Right Angle, Through Hole Solder Tails and Shell Tabs, Lead-Free

**Documents:**

[3D Model](#) [Packaging Specification SPK-54819-001 \(PDF\)](#)  
[Drawing \(PDF\)](#) [RoHS Certificate of Compliance \(PDF\)](#)  
[Product Specification PS-56579-015 \(PDF\)](#)

**Agency Certification**

UL E29179

**General**

Product Family I/O Connectors  
 Series [54819](#)  
 Application Wire-to-Board  
 Component Type Receptacle  
 MolexKits Yes  
 Overview [Consumer USB Products](#)  
 Product Name USB 2.0, USB OTG (On-The-Go)  
 Type Mini-B  
 UPC 822348124435

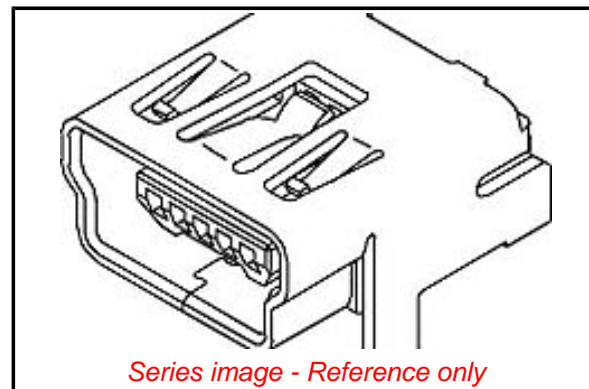
**Physical**

Circuits (Loaded) 5  
 Circuits (maximum) 5  
 Color - Resin Black  
 Flammability 94V-0  
 Gender Receptacle  
 Lock to Mating Part Yes  
 Material - Metal High Performance Alloy (HPA)  
 Material - Plating Mating Gold  
 Material - Plating Termination Tin  
 Material - Resin High Temperature Thermoplastic  
 Net Weight 0.572g  
 Orientation Right Angle  
 PC Tail Length 1.80mm  
 PCB Retention Yes  
 PCB Thickness - Recommended 1.00mm  
 Packaging Type Tray  
 Panel Mount No  
 Pitch - Mating Interface 0.80mm  
 Plating min - Mating 0.762µm  
 Plating min - Termination 1.016µm  
 Polarized to Mating Part Yes  
 Surface Mount Compatible (SMC) Yes  
 Temperature Range - Operating -20°C to +85°C  
 Termination Interface: Style Through Hole  
 Wire Size AWG N/A

**Electrical**

Current - Maximum per Contact 1.0A  
 Shielded Yes  
 Voltage - Maximum 30V

**Solder Process Data**



**EU ELV**

**Compliant**

**EU RoHS**

**Compliant**

**REACH SVHC**

Not Contained Per  
 -ED/79/2015 (17  
 December 2015)

**Halogen-Free**

**Status**

**Not Low-Halogen**

**Need more information on product environmental compliance?**

Email [productcompliance@molex.com](mailto:productcompliance@molex.com)  
 Please visit the [Contact Us](#) section for any non-product compliance questions.

China ROHS

ELV

**China RoHS**

Green Image

Compliant

**Search Parts in this Series**

[54819 Series](#)

**Mates With**

[59204-9401](#) , [59205-3301](#)

Duration at Max. Process Temperature (seconds)	010
Lead-freeProcess Capability	REFLOW
Max. Cycles at Max. Process Temperature	001
Process Temperature max. C	260

**Material Info**

**Reference - Drawing Numbers**

Electrical Model Document	EE-54819-0001
Packaging Specification	SPK-54819-001
Product Specification	PS-56579-015, RPS-54819-017, RPS-54819-030, RPS-54819-032, RPS-54819-033, RPS-56579-003, RPS-56579-004, RPS-56579-007, RPS-56579-008, RPS-56579-009, RPS-56579-010
S-Parameter Model	SP-54819-67542-0001
Sales Drawing	SD-54819-026

This document was generated on 03/30/2016

**PLEASE CHECK [WWW.MOLEX.COM](http://WWW.MOLEX.COM) FOR LATEST PART INFORMATION**